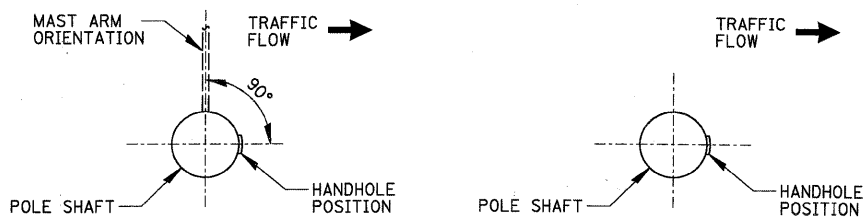


LUMINAIRE MODEL INFORMATION			
POLE TYPE	FIXTURE TYPE	LUMINAIRE MANUFACTURER AND MODEL INFORMATION	IES PHOTOMETRIC CURVE
1	ROADWAY LUMINAIRE	A GENERAL ELECTRIC; MDCA25SOA12FMC22U AEL: 32525SCAMT2R2FGBKUL NRLCECCFHP	GE451001.IES 325_40S_R2_HP.IES
	PEDESTRIAN LUMINAIRE	B HADCO: R54BABA2ATND70SG HOLOPHANE: AW70DHP24B8MRB RBMX	R54-15S5V-T.IES AW10DHP00X8NXX RBMX.IES

**NOTES:**

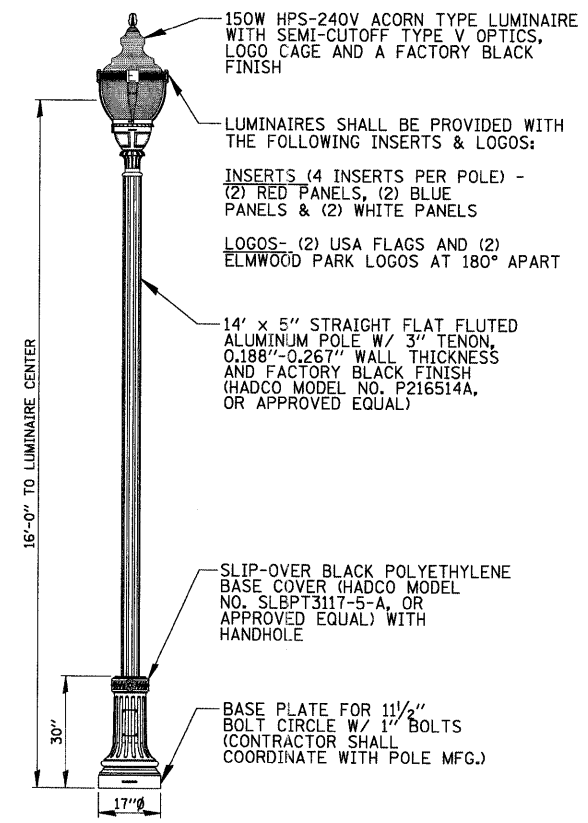
1. LIGHT POLES SHALL MEET WIND LOADING & VIBRATION REQUIREMENTS ACCORDING TO THE LATEST AASHTO STANDARDS AND ARTICLE 1069.01 IN STANDARD SPECIFICATIONS FOR ROAD AND BRIDGE CONSTRUCTION.
2. ALL STEEL SHALL BE FROM A DOMESTIC SOURCE.
3. THE LIGHT POLES SHALL MEET THE ILLUMINATION REQUIREMENTS AS SPECIFIED IN THE LUMINAIRE PERFORMANCE TABLES IN THE SPECIFICATIONS. ALL LUMINAIRES SHALL HAVE A MULTI-TAP BALLAST WIRED FOR 240 VOLTS OPERATION.
4. LIGHT POLE SHALL BE U/L LISTED.

**DECORATIVE LIGHTING UNIT D1**  
N.T.S.



**FOR DECORATIVE LIGHTING UNIT D1**  
**FOR DECORATIVE LIGHTING UNIT D2 AND LANDSCAPE BOLLARD**

**POSITION OF HANDHOLE DETAIL**  
N.T.S.

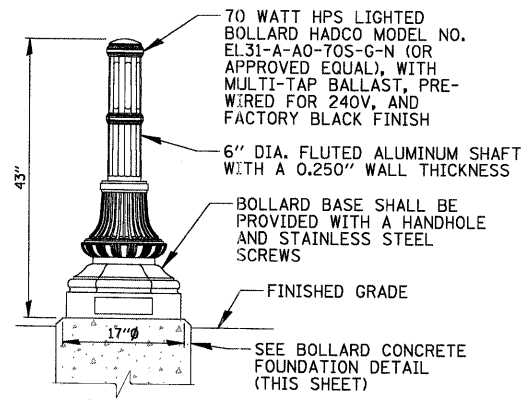


LUMINAIRE MODEL INFORMATION			
POLE TYPE	FIXTURE TYPE	LUMINAIRE MANUFACTURER AND MODEL INFORMATION	IES PHOTOMETRIC CURVE
2	PEDESTRIAN LUMINAIRE	A HADCO: R54BABA2ATND150SG	R54-15S5V-T.IES
		B HOLOPHANE: AW15DHP24B8MRB RBMX	AW15DHP00X8NXX RBMX.IES

**NOTES:**

1. LIGHT POLES SHALL MEET WIND LOADING & VIBRATION REQUIREMENTS ACCORDING TO THE LATEST AASHTO STANDARDS AND ARTICLE 1069.01 IN STANDARD SPECIFICATIONS FOR ROAD AND BRIDGE CONSTRUCTION.
2. ALL STEEL SHALL BE FROM A DOMESTIC SOURCE.
3. THE LIGHT POLES SHALL MEET THE ILLUMINATION REQUIREMENTS AS SPECIFIED IN THE LUMINAIRE PERFORMANCE TABLES IN THE SPECIFICATIONS. ALL LUMINAIRES SHALL HAVE A MULTI-TAP BALLAST WIRED FOR 240 VOLTS OPERATION.
4. LIGHT POLE SHALL BE U/L LISTED.

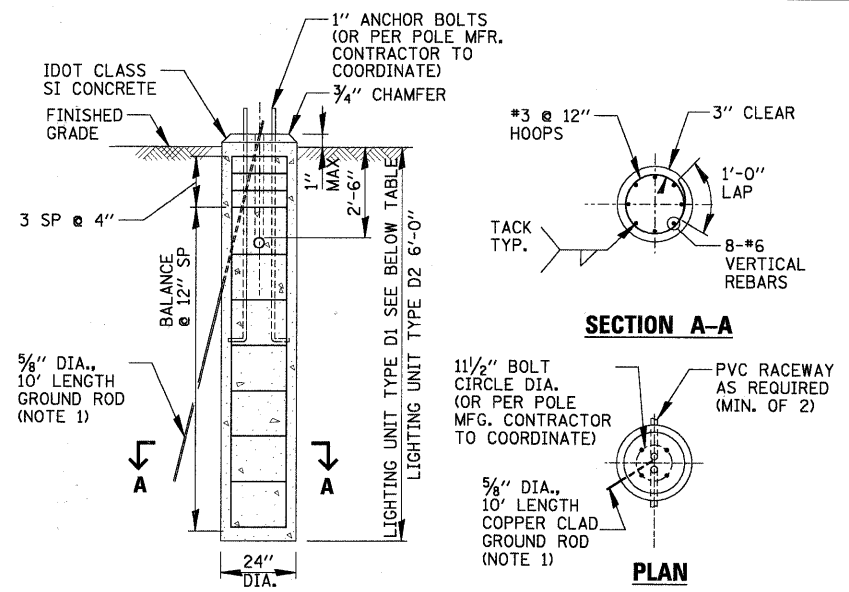
**DECORATIVE LIGHTING UNIT D2**  
N.T.S.



**NOTES:**

1. CONTRACTOR SHALL COORDINATE SIZE AND ORIENTATION OF BOLT CIRCLE.

**LANDSCAPE BOLLARD**  
N.T.S.

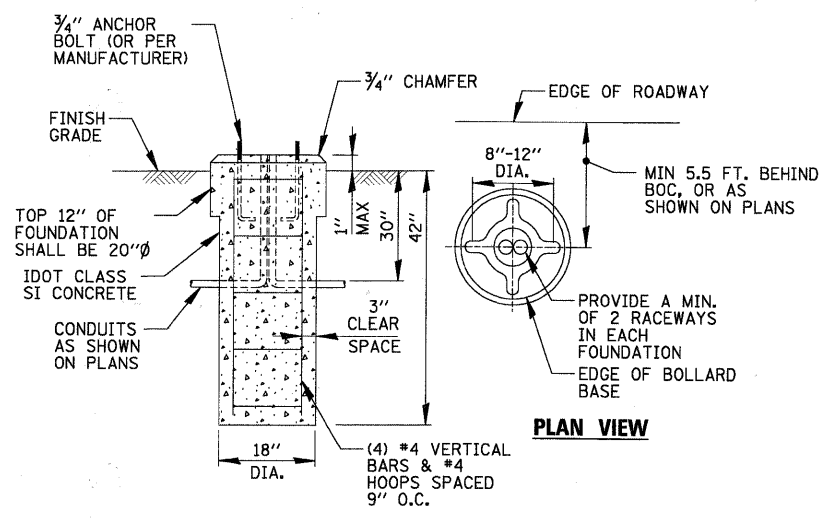


SOIL CONDITIONS	DESIGN DEPTH "D" OF FOUNDATION LIGHTING UNIT "D1"
SOFT CLAY (Qu=0.375 TON/SF)	11'-0"
MEDIUM CLAY (Qu=0.75 TON/SF)	9'-0"
STIFF CLAY (Qu=1.50 TON/SF)	7'-6"
LOOSE SAND (φ=34")	9'-6"
MEDIUM SAND (φ=37.5")	9'-0"
DENSE SAND (φ=40")	8'-3"

**NOTES:**

1. GROUND ROD SHALL BE CAST INTO CONCRETE FOUNDATION WITH 8 FEET IN CONTACT WITH SOIL.
2. FOUNDATIONS SHALL BE VIBRATED IN ACCORDANCE WITH IDOT STANDARD PRACTICES.
3. ALL ABOVE ITEMS INCLUDING CONCRETE, GROUND ROD, REINFORCEMENT, RACEWAYS AND FORMWORK SHALL BE INCLUDED IN THE "LIGHT POLE FOUNDATION" PAY ITEM.

**CONCRETE FOUNDATION DETAIL**  
N.T.S.



**NOTES:**

1. CONTRACTOR SHALL COORDINATE SIZE AND ORIENTATION OF BOLT CIRCLE, WITH BOLLARD MANUFACTURER.
2. CONCRETE FOUNDATION, ANCHOR BOLTS, SPARE RACEWAYS AND FASTENERS SHALL BE INCLUDED IN THE CONTRACT UNIT PRICE FOR "LANDSCAPE BOLLARD".

**BOLLARD CONCRETE FOUNDATION DETAIL**  
N.T.S.