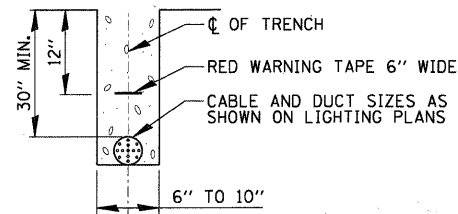


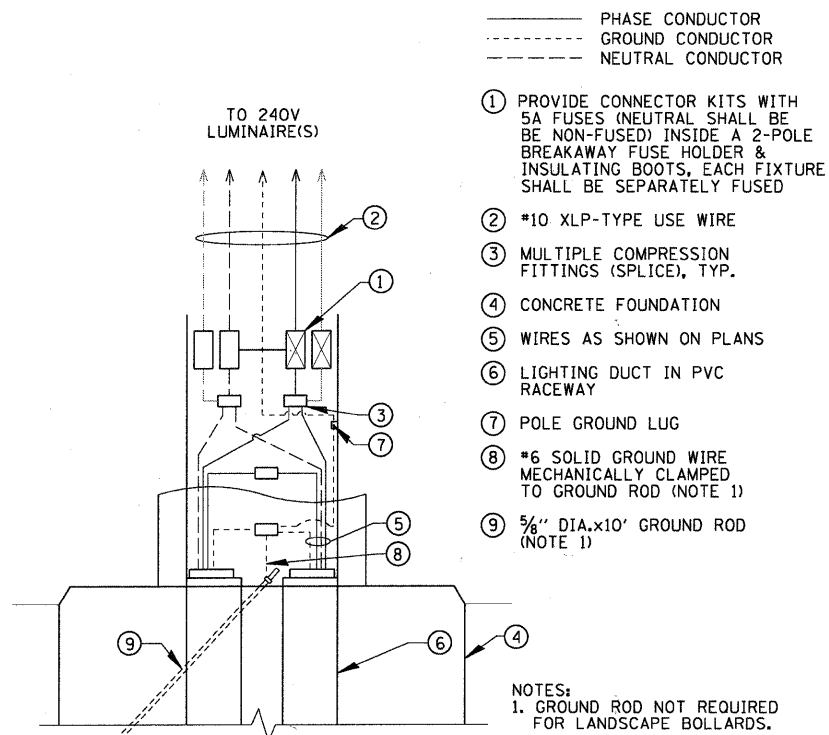
SPlicing ELECTRIC CABLE

N.T.S.



ELECTRIC CONDUIT INSTALLATION

N.T.S.



POLE/BOLLARD HANDHOLE WIRING DIAGRAM

N.T.S.

FILE NAME =	USER NAME = ESIDRCZ	DESIGNED KB	REVISED -
N:\ELMWOODPARK\952253.00024\Mech\LDL.950253.05.SHT		DRAWN KB	REVISED -
PLOT SCALE = 20'		CHECKED AJD	REVISED -
PLOT DATE = 5/24/2011		DATE -	REVISED -

**STATE OF ILLINOIS
DEPARTMENT OF TRANSPORTATION**

LIGHTING DETAILS

SCALE: N.T.S. SHEET NO. OF SHEETS STA. TO STA.

F.A.U. RTE.	SECTION	COUNTY	TOTAL SHEETS	SHEET NO.
1374	10-00112-00-LS	COOK	23	14
CONTRACT NO. 63608				
ILLINOIS FED. AID PROJECT				