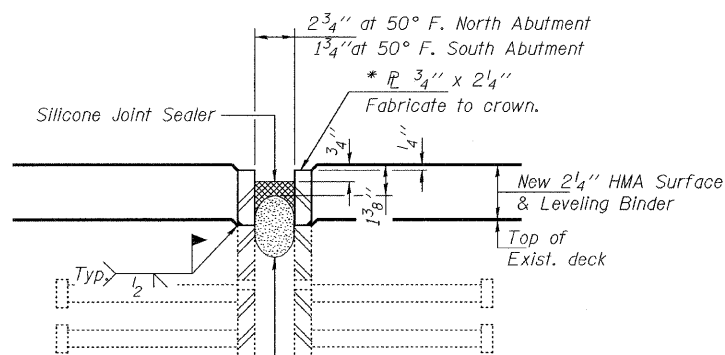


PLAN

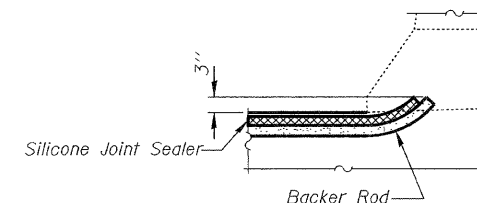
Hatched areas indicate Deck Slab Repair (Partial). Areas of deck repair are estimated. Actual locations shall be shown by the engineer for As Built Plans.



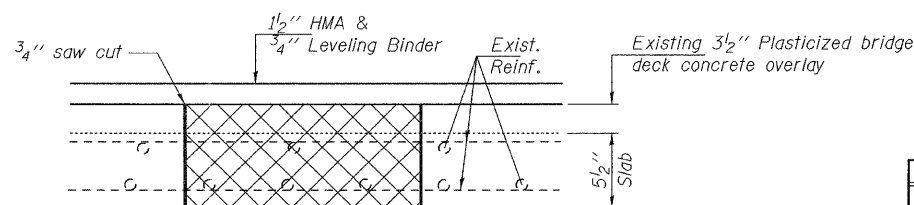
Backer Rod having a diameter 25% greater than the joint opening at the time of installation.

SECTION THRU JOINT

* Furnish in segments of 20 ft. maximum length. Maximum space between installed segments shall be 3/16". Seal space with Silicone Sealant suitable for Structural Steel. After fabrication, all surfaces of the steel R shall be given one shop coat of paint specified for structural steel. No field painting required. Cost included with HMA overlay.



TYPICAL END OF SEAL TREATMENT



TYPICAL DECK REPAIR DETAIL

Cross hatched areas indicate Deck Slab Repair (Full Depth, Type I or Type II)

BILL OF MATERIAL

Item	Unit	Quantity
Deck Slab Repair (Partial)	Sq. Yd.	100
Deck Slab Repair (Full Depth, Type I)	Sq. Yd.	175
Protective Shield	Sq. Yd.	260
Polymerized Leveling Binder (Machine Method), N50	Ton	28
Polymerized Hot-Mix Asphalt Surface Course, Mix "D", N90	Ton	56
Silicone Joint Sealer, 2 3/4"	Foot	35
Silicone Joint Sealer, 1 3/4"	Foot	35
Deck Slab Repair (Full Depth, Type II)	Sq Yd	50

DESIGNED VHV
 CHECKED DAB
 DRAWN balva
 CHECKED VHV DAB

EXAMINED
 PASSED
 ACTING ENGINEER OF STRUCTURAL SERVICES
 ACTING ENGINEER OF BRIDGES AND STRUCTURES
 DATE JUNE 29, 2011
 REVISED
 REVISED

STATE OF ILLINOIS
 DEPARTMENT OF TRANSPORTATION

REPAIR DETAILS
 SN 081-0014

SHEET NO. 3 OF 3 SHEETS

Rev. 7-26-11

F.A.I. RTE.	SECTION	COUNTY	TOTAL SHEETS	SHEET NO.
80	137-1B-1, 81-1VB, 81-1HB-1M-1	ROCK ISLAND	15	8

CONTRACT NO. 64H27
 ILLINOIS FED. AID PROJECT