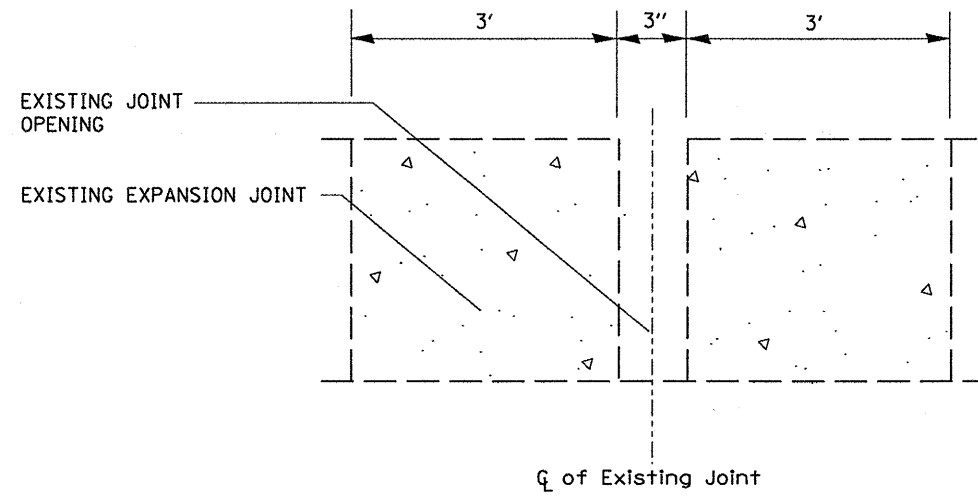
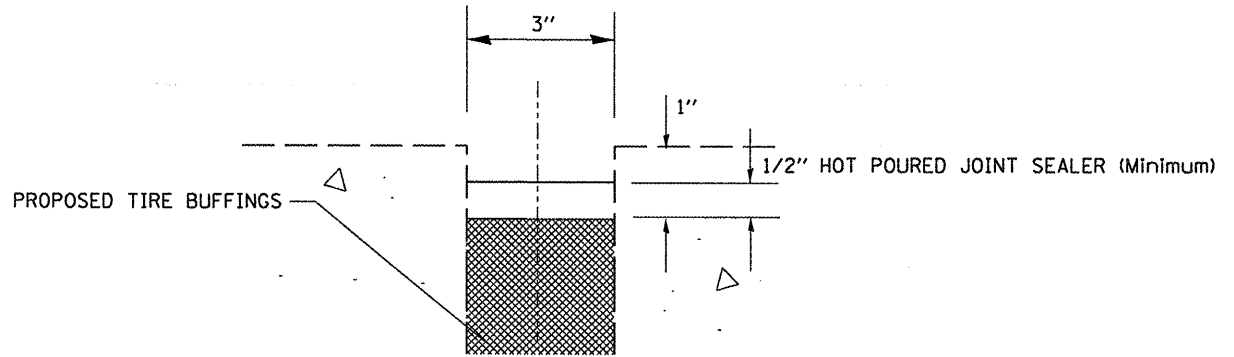


**LOCATIONS**

SBL Sta. 56+00  
 SBL Sta. 59+65  
 NBL Sta. 56+00  
 NBL Sta. 59+65



**EXISTING JOINT**



**JOINT DETAIL**

**GENERAL NOTES:**

1. All work shall be done as directed by the Engineer.
2. Use buffings from the tire retreading industry.
3. Ensure tire buffings are clean, dry, and without any contamination.
4. Remove existing material and replace with tire buffings.
5. Place loose buffings and strike off level.
6. Compact buffings by spading with a square -nose shovel.
7. Use hot -poured joint sealer that meets the requirement of Article 1050.02 and according to the applicable section of Article 420.12 of the Standard Specifications.
8. All work and material shall be included in the unit price of EXPANSION JOINT (SPECIAL).

FILE NAME = general.dgn	USER NAME = AdadeSA	DESIGNED -	REVISED -	<b>STATE OF ILLINOIS DEPARTMENT OF TRANSPORTATION</b>	<b>EXPANSION JOINT (SPECIAL) DETAIL</b>	F.A.P. RTE.	SECTION	COUNTY	TOTAL SHEETS	SHEET NO.	
	PLOT SCALE = 400,0001' / 1"	DRAWN -	REVISED -			318	(72-7)RS-1	PEORIA	32	27	
PLOT DATE = 5/12/2011	CHECKED -	REVISED -	<b>CONTRACT NO. 68673</b>			ILLINOIS FED. AID PROJECT					
	DATE -	REVISED -	SCALE:		SHEET NO.	OF	SHEETS	STA.	TO STA.		