

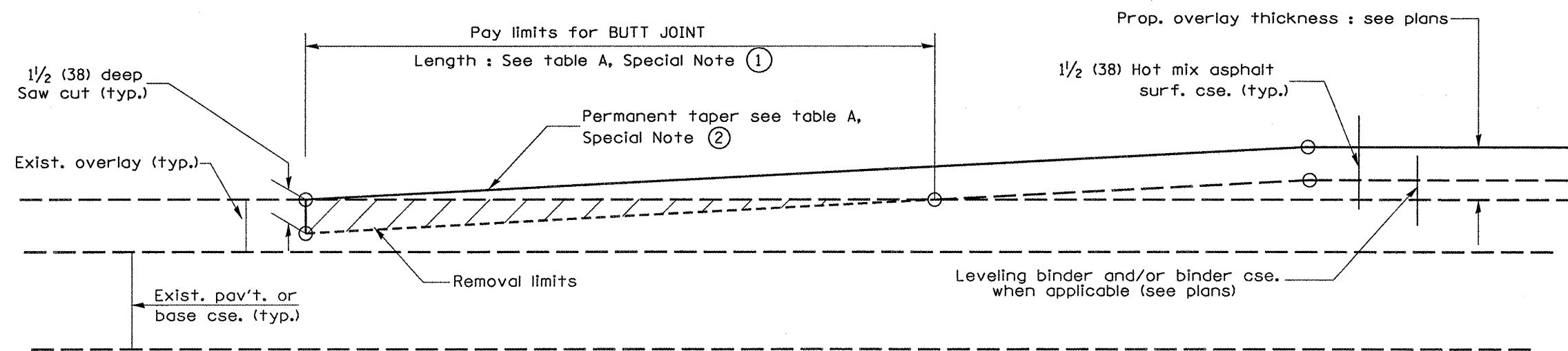
**CASE 1 : WITH HOT MIX ASPHALT SURFACE REMOVAL (COLD MILLING)**

**TABLE A**  
(LENGTHS AND TAPER RATES)

| SPECIAL NOTE NUMBER | ELEMENT                   | MAINLINE INTERSTATES & 4-LANE EXPRESSWAYS | ALL OTHERS |
|---------------------|---------------------------|---|------------|
| ①                   | LENGTH OF BUTT JOINT      | 60'(18.0 m)                               | 30'(9.0 m) |
| ②                   | PERMANENT TAPER RATE      | 1:480                                     | 1:240      |
| ③                   | TEMPORARY RAMP TAPER RATE | 1:80                                      | 1:40       |
| ④                   | TEMPORARY RAMP LENGTH     | 10'(3.0 m)                                | 5'(1.5 m)  |
| ⑤                   | LENGTH OF BUTT JOINT      | 10'(3.0 m)                                | 10'(3.0 m) |

**GENERAL NOTES**

1. The work shall be done in accordance with Article 406.08 and the Special Provision for Butt Joints.
2. The pavement surface to be removed may be either bituminous or P.C. concrete. The work shall be performed in accordance with Article 440.04 and the Special Provisions for Butt Joints.
3. The saw cut joints shall be primed just prior to the placing of bituminous material. The work will be in accordance with the applicable portions of Article 406.05.



**CASE 2 : NO HOT MIX ASPHALT SURFACE REMOVAL (COLD MILLING)**

All dimensions are in inches (millimeters) unless otherwise noted.

|          |                                  |        |
|----------|----------------------------------|--------|
| 01-01-97 | RENUM. C-23.01. NEW REVISION BOX | T.P.   |
| 04-01-97 | CORRECTION TO DEPTH              | J.A.   |
| 09-15-05 | REVISED DESIGNER NOTE            | M.M.A. |
| 10-16-06 | REVISED TO 2007 SPEC.            | M.A.   |

STATE OF ILLINOIS  
DEPARTMENT OF TRANSPORTATION

BUTT JOINTS

NOT TO SCALE

SHT. 1 OF 3  
CADD STD. 406101-04

| F.A.P. RTE.                                   | SECTION    | COUNTY | TOTAL SHEETS       | SHEET NO. |
|---|------------|--------|--------------------|-----------|
| 318   | (72-7)RS-1 | PEORIA | 32                 | 29        |
| FED. ROAD DIST. NO. ILLINOIS FED. AID PROJECT |            |        | CONTRACT NO. 68673 |           |