

ROUTE NO.	SECTION	COUNTY	TOTAL SHEETS	SHEET NO.
F.A.P. 693	*	TAZEWELL	38	38
FED. ROAD DIST. NO. 4		ILLINOIS	FED. AID PROJECT	

*** D4 SCOUR MITIGATION 2011**

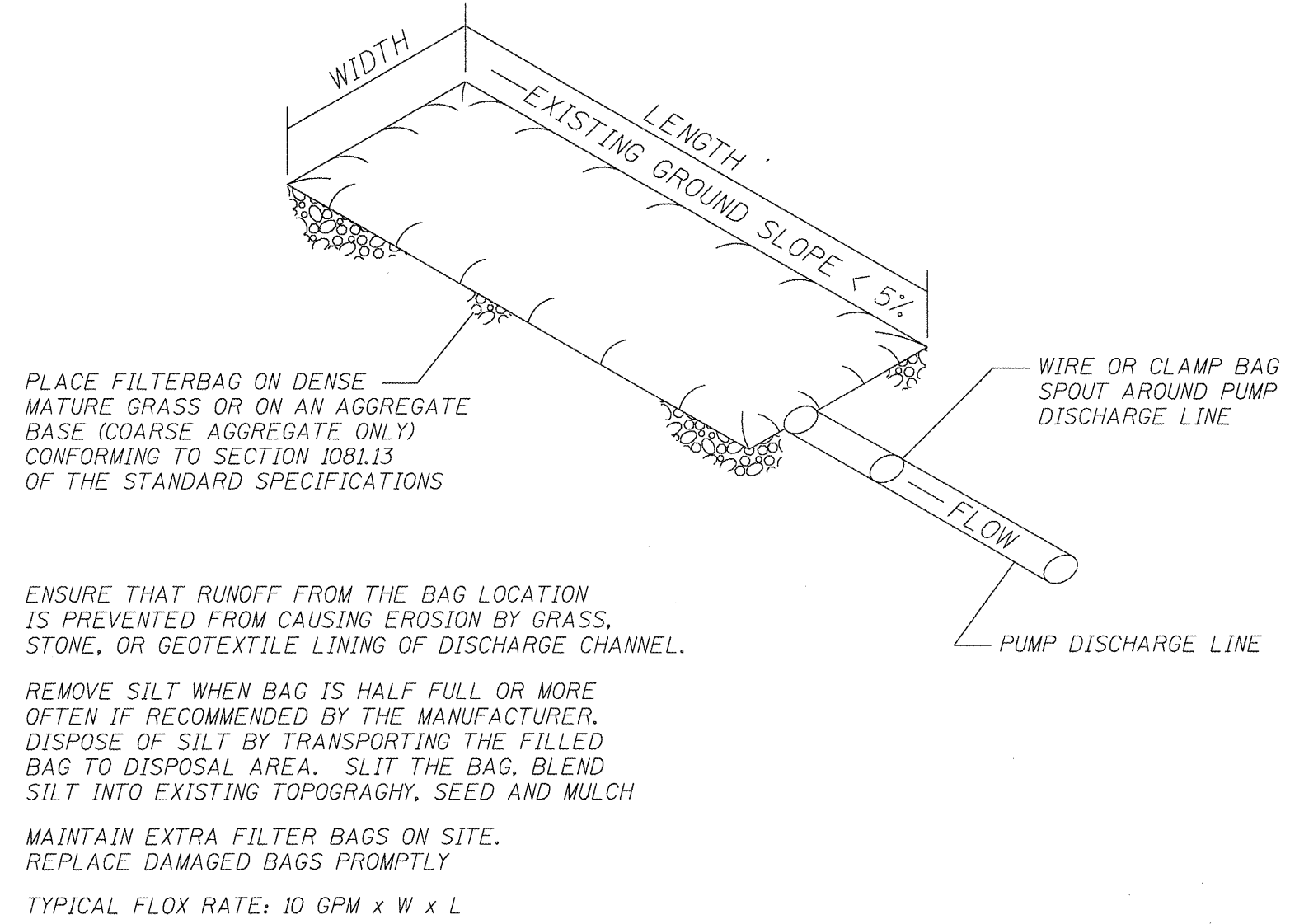


FIGURE S1. SEDIMENT FILTER BAG

NOTE: DEWATERING SYSTEM DETAILS SHALL BE USED IN CONJUNCTION WITH THE PROJECT SPECIAL PROVISIONS.

ILLINOIS DEPARTMENT OF TRANSPORTATION
 DEWATERING SYSTEM DETAILS
 VARIOUS STRUCTURES
 VARIOUS COUNTIES