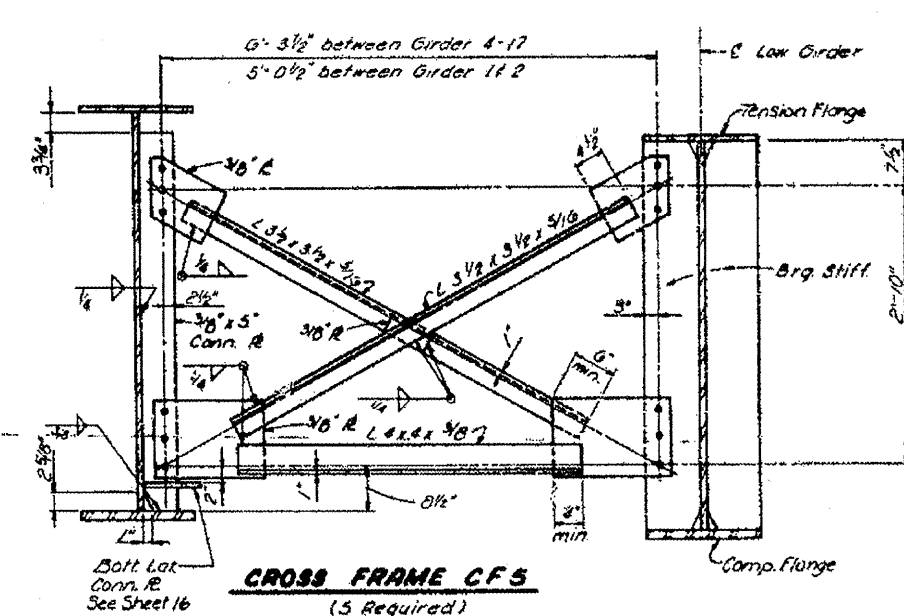
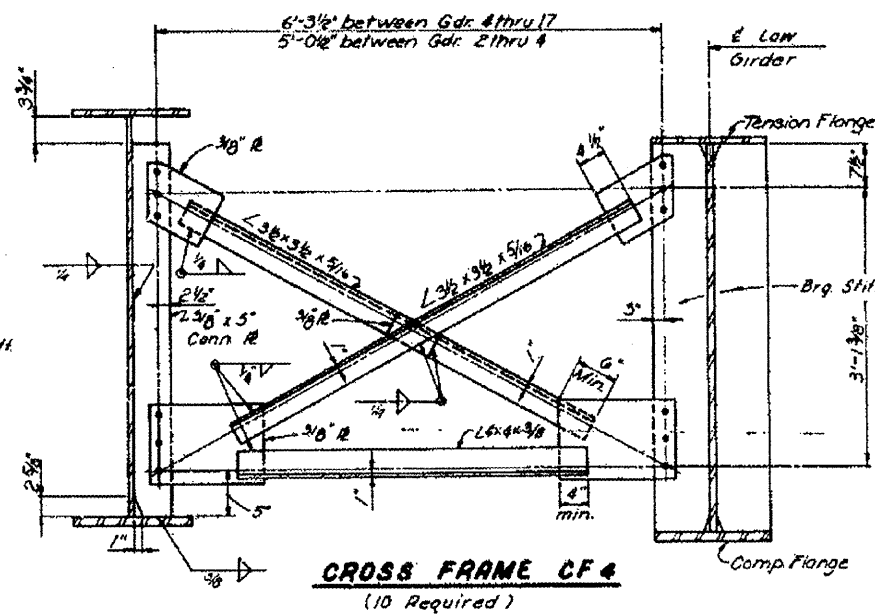
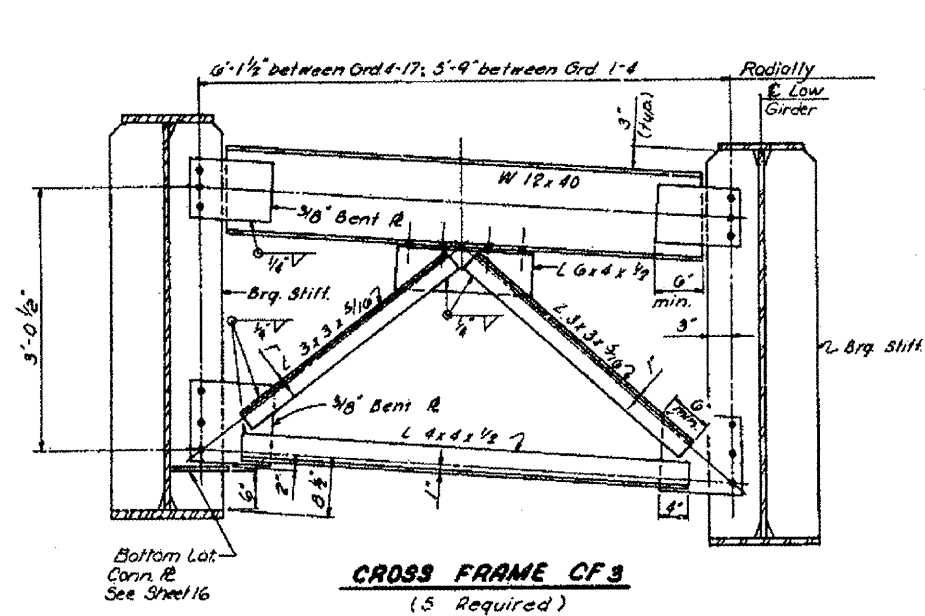


INFORMATION ONLY



FILE NAME = 68A51.dgn	USER NAME = AdedeSA	DESIGNED - _____	REVISED - _____	STATE OF ILLINOIS DEPARTMENT OF TRANSPORTATION	F.A.P. RTE. (318)	SECTION (72-6HB-3P)	COUNTY PEORIA	TOTAL SHEETS 9	SHEET NO. 8
	PLOT SCALE = 1/8" = 1' / in.	DRAWN - _____	REVISED - _____		SCALE: _____				
	PLOT DATE = 5/16/2011	CHECKED - _____	REVISED - _____		SHEET NO. _____ OF _____ SHEETS	STA. _____ TO STA. _____			
		DATE - _____	REVISED - _____						
									CONTRACT NO. 68A51

ILLINOIS FED. AID PROJECT