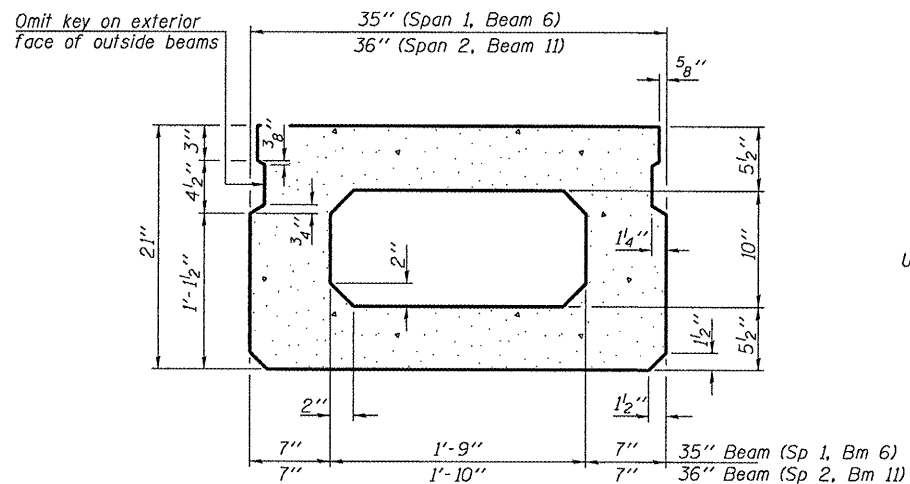
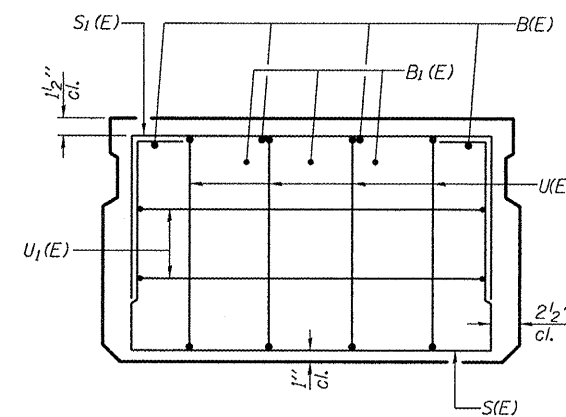


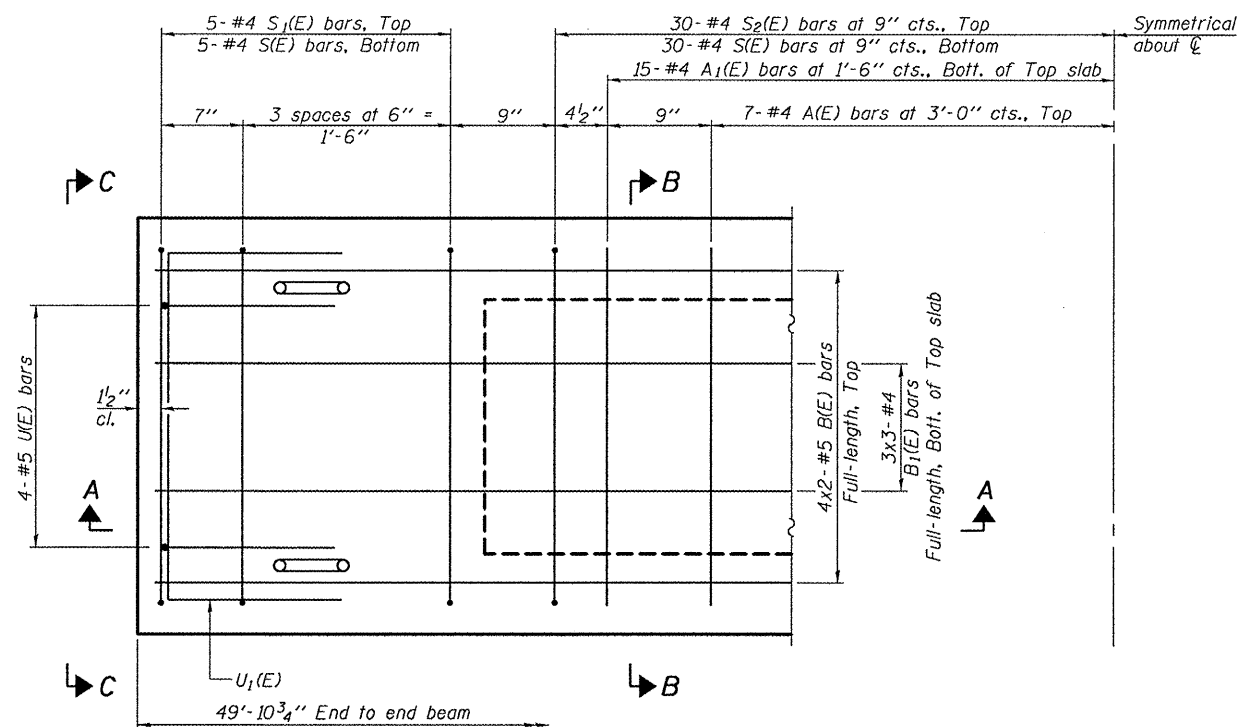
SECTION A-A



SECTION B-B
(Showing dimensions)

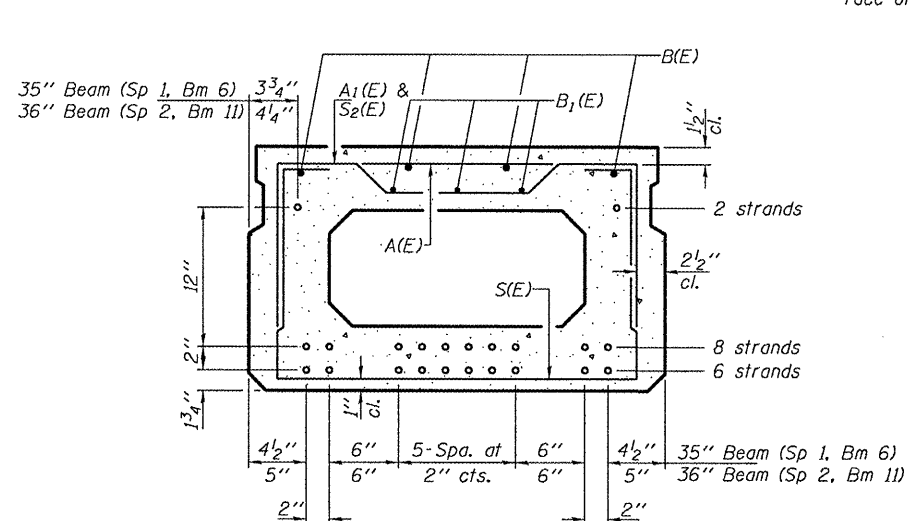


VIEW C-C



PLAN VIEW

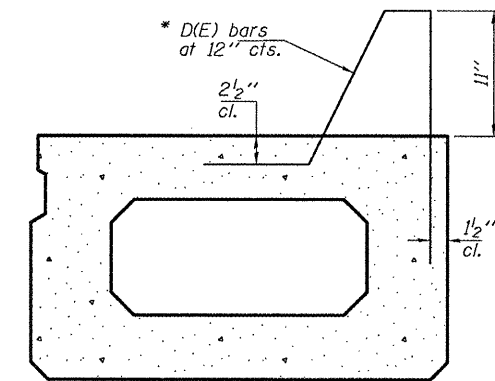
Note: Spacing of S(E) and S2(E) bars may be adjusted up to 4" in the immediate area of the transverse tie diaphragms to miss the block outs for the transverse ties.



SECTION B-B
(Showing reinforcement and permissible strand locations)

Note: Place the number of strands specified in each row symmetrically about the centerline of beam in the permissible strand locations shown.

* D(E) bar to be cast into outside face of fascia beam only.



SECTION THRU FASCIA BEAM
(Showing Curb Reinforcement)

MINIMUM BAR LAP

#4 bar = 2'-0"
#5 bar = 2'-6"

BAR LIST
ONE 35" BEAM ONLY

(For information only)

Bar	No.	Size	Length	Shape
A(E)	14	#4	2'-7"	—
A1(E)	30	#4	2'-9"	—
B(E)	8	#5	26'-1"	—
B1(E)	9	#4	17'-11"	—
S(E)	70	#4	6'-4"	□
S1(E)	10	#4	4'-10"	□
S2(E)	60	#4	5'-1"	□
U(E)	8	#5	4'-0"	□
U1(E)	4	#4	4'-11"	□

BAR LIST
ONE 36" BEAM ONLY

(For information only)

Bar	No.	Size	Length	Shape
A(E)	14	#4	2'-7"	—
A1(E)	30	#4	2'-10"	—
B(E)	8	#5	26'-1"	—
B1(E)	9	#4	17'-11"	—
D(E)	50	#5	4'-2"	∟
S(E)	70	#4	6'-5"	□
S1(E)	10	#4	4'-11"	□
S2(E)	60	#4	5'-2"	□
U(E)	8	#5	4'-0"	□
U1(E)	4	#4	5'-0"	□

Note: See sheet 3 of 5 for additional details and Bill of Material.

DESIGNED - ATH	EXAMINED - <i>Joanne F. Jaffe</i>	DATE - JUNE 23, 2011
CHECKED - GGE	ACTING ENGINEER OF STRUCTURAL SERVICES	
DRAWN - Kyle M. Steffen	PASSED - <i>Carl Papp</i>	
CHECKED - ATH GGE	ACTING ENGINEER OF BRIDGES AND STRUCTURES	

STATE OF ILLINOIS
DEPARTMENT OF TRANSPORTATION

21" x 36" P.P.C. DECK BEAM DETAILS
SN 017-0007

SHEET NO. 2 OF 5 SHEETS

F.A. RTE. 781	SECTION D-7 BEAM REPAIR 2012-1	COUNTY CRAWFORD	TOTAL SHEETS 10	SHEET NO. 7
CONTRACT NO. 74523			ILLINOIS FED. AID PROJECT	