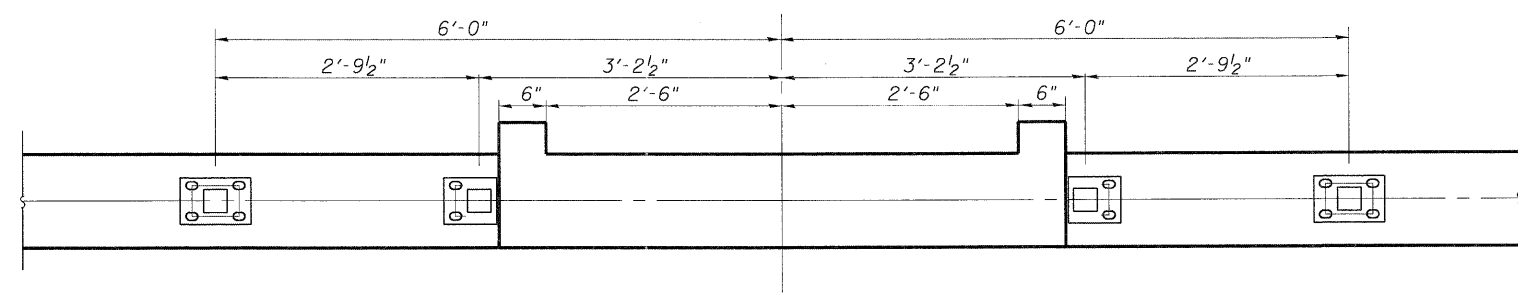
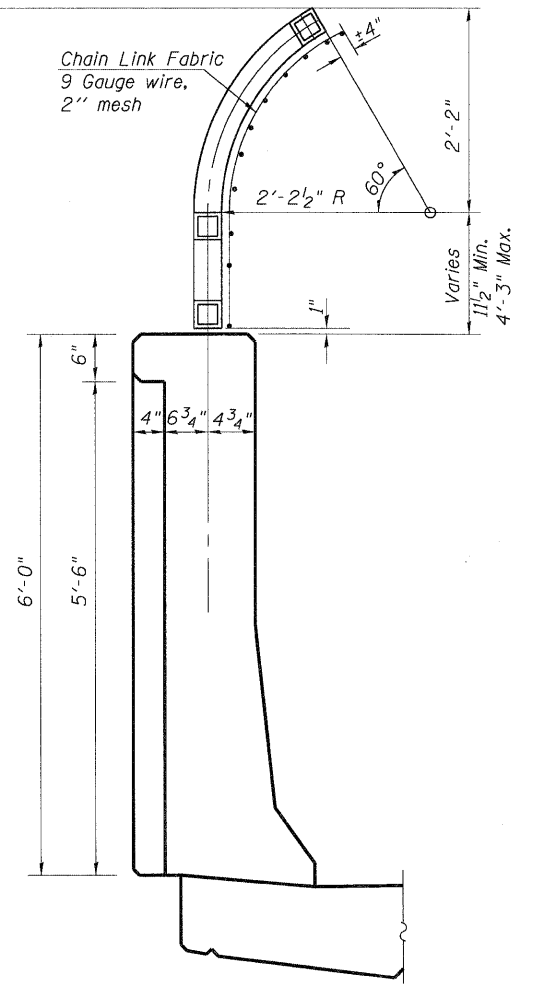


**ELEVATION AT PIER**



**SECTION G-G**



**SECTION F-F**

**NOTE:**  
For fence and railing details and sections see Sheet SA-34.

I:\9820316\CON-95-001-801-810.DGN  
 5/11/2011 10:54:07  
 \\FS-0044\AM\VALU\_ID-TRANS\_07\_2202\_200669\_001\STRUCT\CAD\01\_DESIGN\9820316\SHEET\0820328.CONN-10\_0626-SHT-MS.DGN

FILE NAME * *FILEL*	USER NAME * USER*	DESIGNED - DRAWN - TCG	REVISED - REVISED -	<b>STATE OF ILLINOIS</b> <b>DEPARTMENT OF TRANSPORTATION</b> IL 3 OVER 1-70	<b>BRIDGE FENCE RAILING DETAILS</b> <b>2 OF 2</b>		F.A.P. RTE.	SECTION	COUNTY	TOTAL SHEETS	SHEET NO.	
	PLOT SCALE * SCALE*	CHECKED - JLR	REVISED -		SCALE:	SHEET NO. SA-35 OF SA-57	STA. 1683+43.17 TO STA.	998	82-2-1HVB-1	ST. CLAIR	345	170
<b>TENG</b> TENG & ASSOCIATES, INC. ENGINEERS/ARCHITECTS/PLANNERS CHICAGO, ILLINOIS	PLOT DATE * DATE*	DATE - 05/13/11	REVISED -			SN 082-0328		CONTRACT NO. 76D05				
							FED. ROAD DIST. NO.		ILLINOIS FED. AID PROJECT			