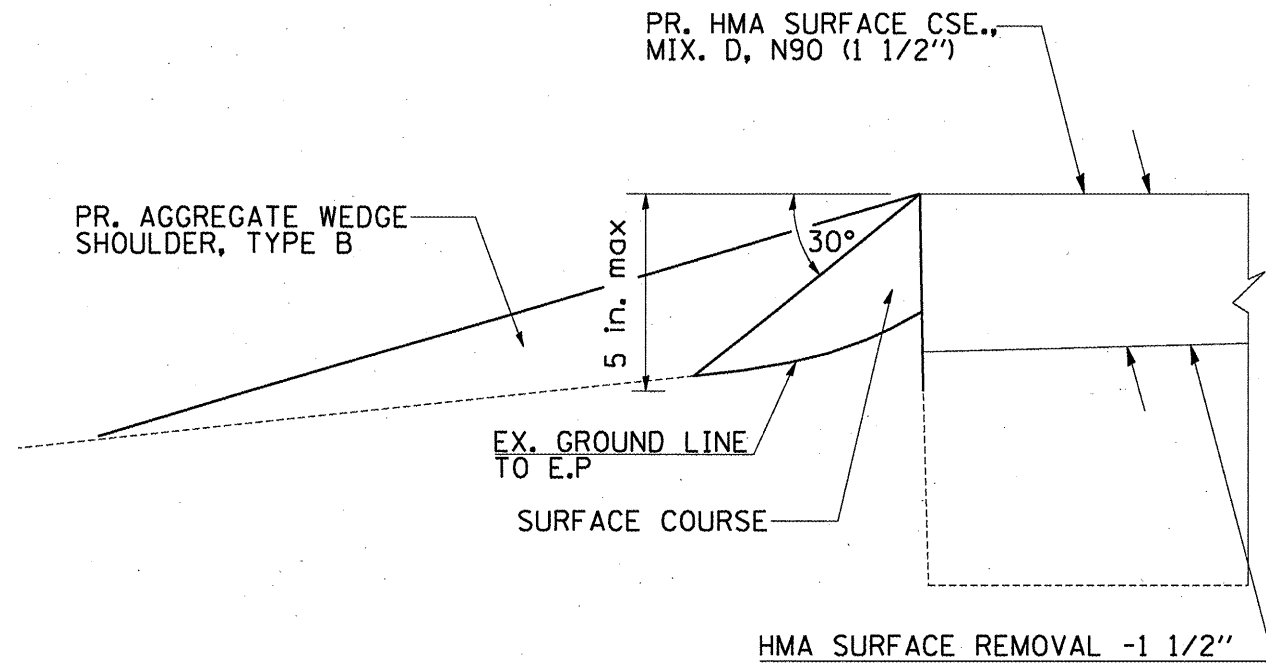
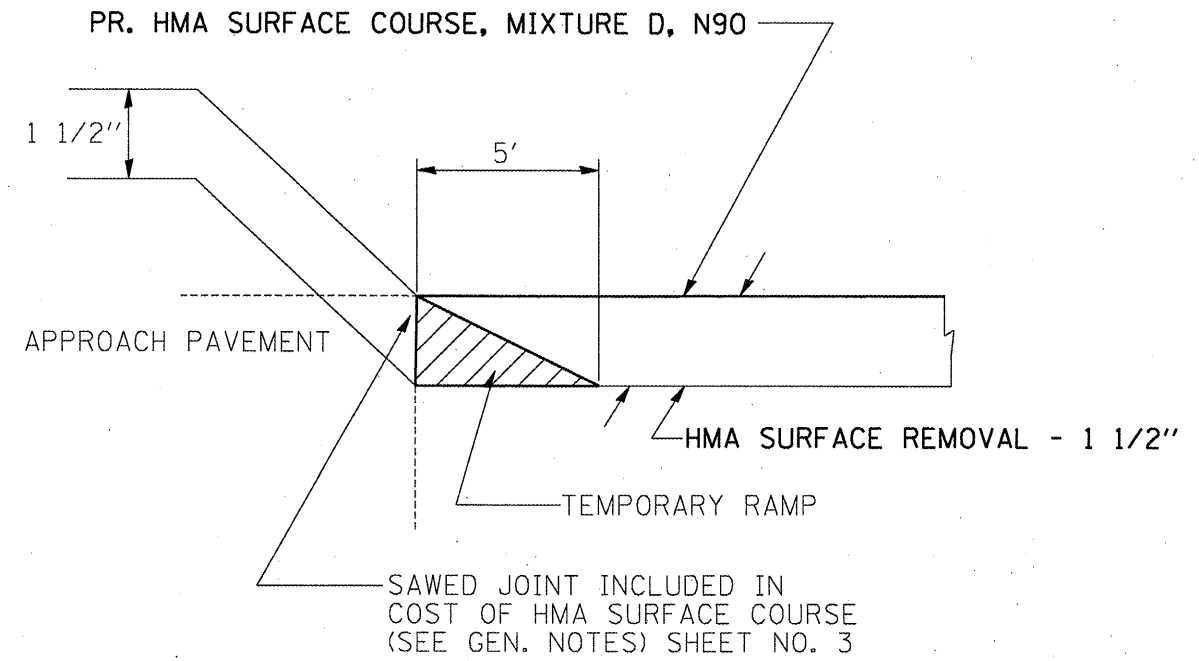


SAFETY EDGE DETAIL



TO BE USED:  
 IN DROP-OFF ZONES OR  
 AS DIRECTED BY THE FIELD ENGINEER

BUTT JOINT DETAIL



TO BE USED:  
 STA. 896+22  
 STA. 911+55  
 STA. 911+91  
 STA. 66+49

FILE NAME =	USER NAME = aybar.js	DESIGNED -	REVISIONS	<b>STATE OF ILLINOIS DEPARTMENT OF TRANSPORTATION</b>	<b>DETAIL: TEMPORARY RAMP, SAFETY EDGE</b>	F.A.P. RTE.	SECTION	COUNTY	TOTAL SHEETS	SHEET NO.
c:\p\work\p\idot\aybar.js\d0205677\shd-1.dgn	DRAWN -	REVISIONS	863			10IRS-5	FRANKLIN	16	15	
PLOT SCALE = 100.2653' / IN.	CHECKED -	REVISIONS	CONTRACT NO. 78247							
PLOT DATE = 4/26/2011	DATE -	REVISIONS	ILLINOIS FED. AID PROJECT							
					SCALE: _____	SHEET NO. ___ OF ___ SHEETS		STA. _____ TO STA. _____		