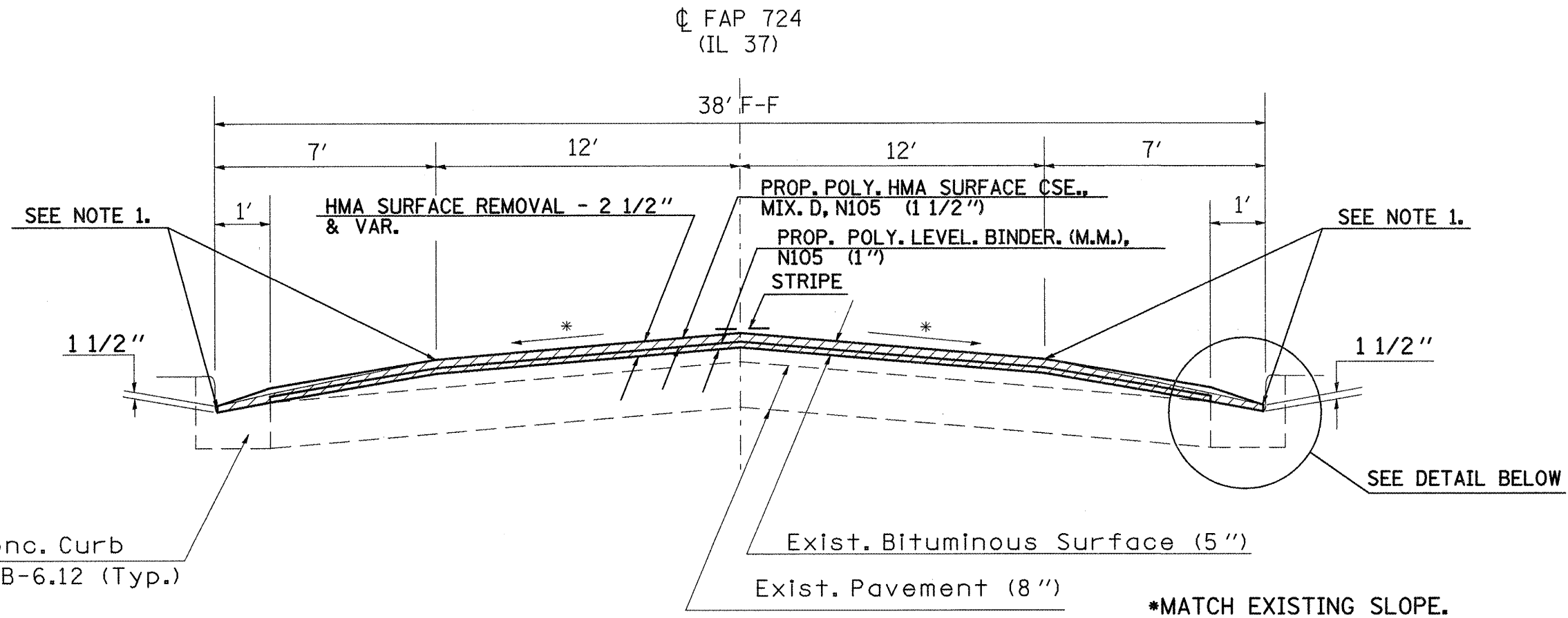


TYPICAL SECTION #4
FAP 724/IL 37/10TH STREET



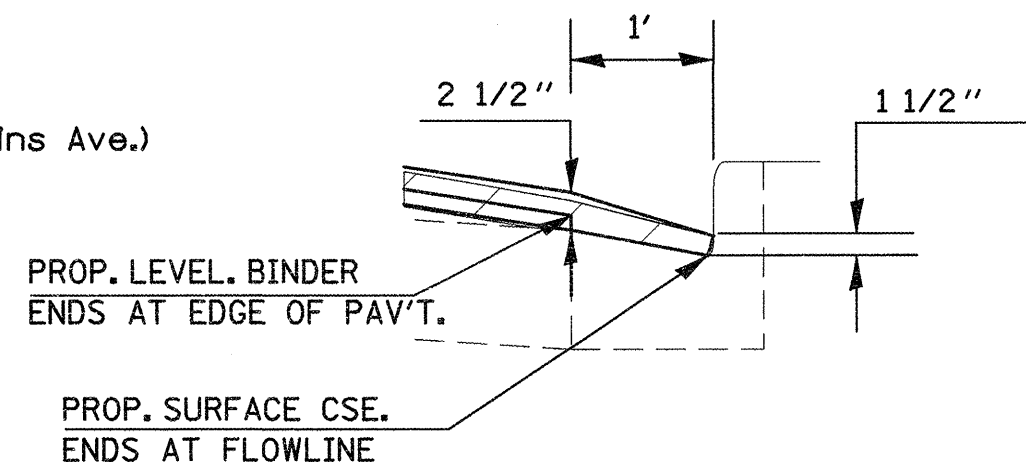
Exist. Conb. Conc. Curb
& Gutter, Ty. B-6.12 (Typ.)

NOTE 1:
HMA SURFACE REMOVAL (MILLING)
SHALL TAPER FROM 2 1/2" TO
1 1/2" IN THE LAST 8' OF EX.
SURFACE MILLING LT. AND RT.
OF THE CENTERLINE.

TO BE USED:
STA. 144+63.55 TO STA. 150+00
EQ. STA. 150+00 (BK.) = STA. 96+43 (AH.)
STA. 96+43 TO 74+51
(From Intersection of IL 142/IL148 to Perkins Ave.)

EQ. STA. 150+00 (SOUTH IL 37 ALIGNMENT) BK. =
STA. 96+43 (NORTH IL 37 ALIGNMENT) AH.

*MATCH EXISTING SLOPE.



DETAIL OF EDGE OF
PAVEMENT AND FLOWLINE
TREATMENT.

FAP 821/724 (IL 15/37)

FILE NAME =	USER NAME = mcoordkr	DESIGNED -	REVISED -	STATE OF ILLINOIS DEPARTMENT OF TRANSPORTATION	TYPICAL SECTION - IL 37 NUMBER 4		F.A.P. RTE.	SECTION	COUNTY	TOTAL SHEETS	SHEET NO.
ca:\pw\work\p1dot\mcoordkr\10255706\78248-ahts.dgn		DRAWN -	REVISED -		SCALE:	SHEET NO. OF SHEETS	STA. TO STA.	137.15.1RS-4	JEFFERSON	37	10
PLOT SCALE = 100.0000' / 1in.		CHECKED -	REVISED -								
PLOT DATE = 5/11/2011		DATE -	REVISED -								
							ILLINOIS FED. AID PROJECT				