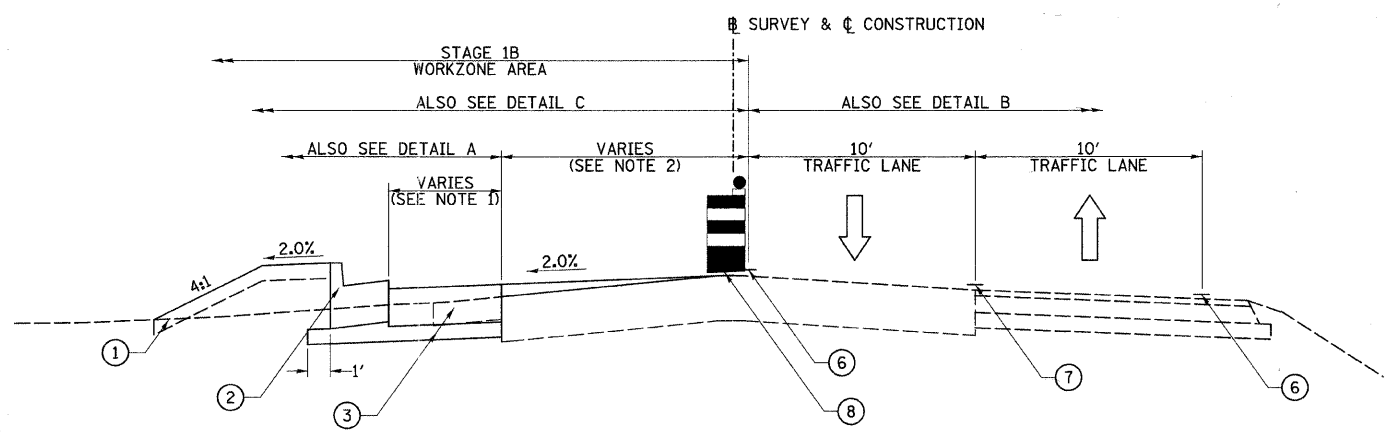


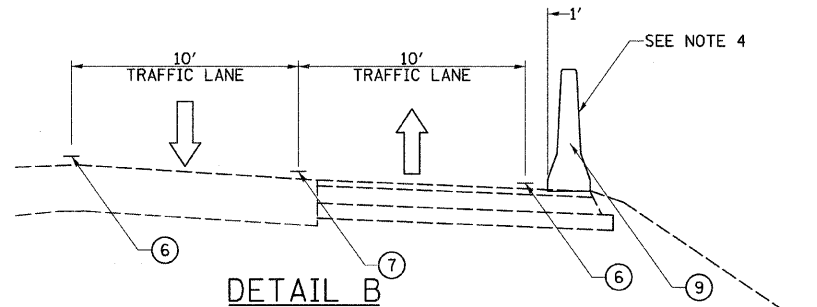
DETAIL A

STA. 10+00.00 TO STA. 10+30.00



RIVER RD. STAGE 1B

STA. 7+90.99 TO STA. 10+30.00
STA. 16+44.11 TO STA. 19+81.31

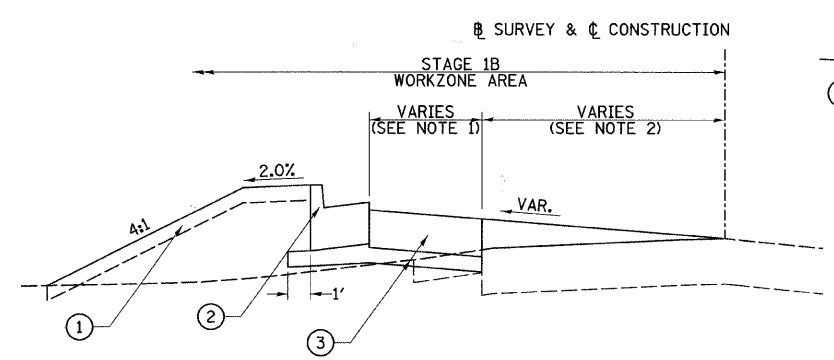


DETAIL B

STA. 8+47 TO STA. 11+05.30

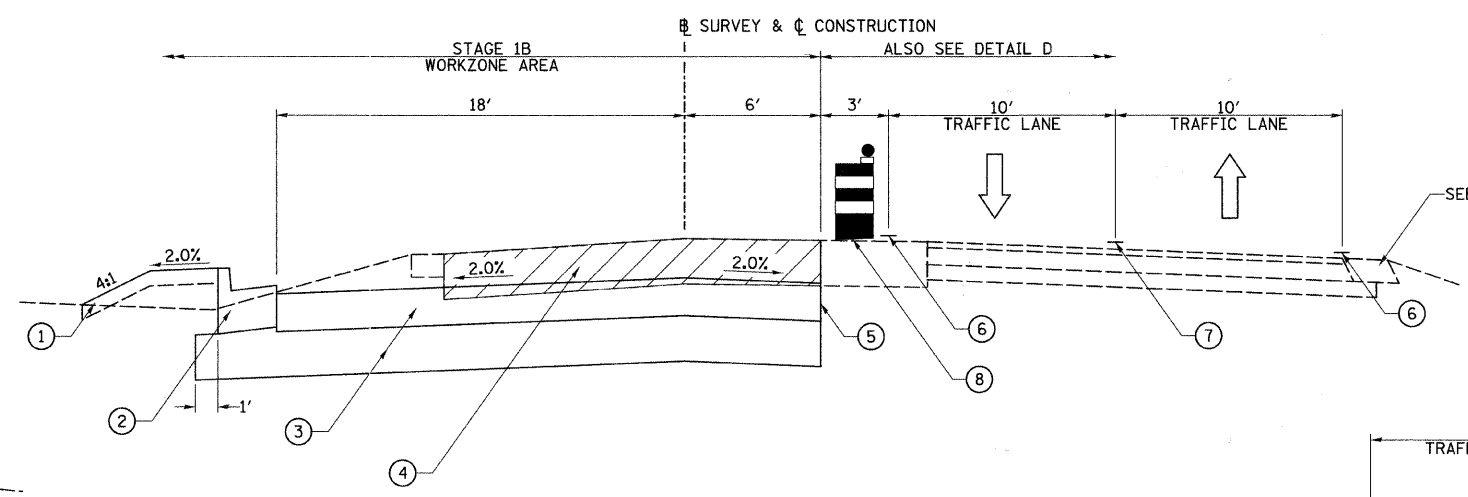
- NOTES:**
- 1 TOPSOIL FURNISH AND PLACE, 4"
 - 2 COMBINATION CONCRETE CURB & GUTTER, TYPE B-6.24
 - 3 PROPOSED PAVEMENT (EXCLUDING SURFACE)
 - 4 REMOVE EXISTING PAVEMENT
 - 5 SAW CUT
 - 6 TEMPORARY PAVEMENT MARKING, 4" - SOLID - WHITE
 - 7 TEMPORARY PAVEMENT MARKING, 4" - SOLID - DOUBLE YELLOW, 11" C-C
 - 8 TYPE II BARRICADE OR DRUM
 - 9 TEMPORARY CONCRETE BARRIER
 - 10 HOT-MIX ASPHALT SURFACE COURSE, MIX "D", N70, 1 1/2"
 - 11 HOT-MIX ASPHALT BINDER COURSE, IL-19.0, N70, 4 1/2"
 - 12 SUB-BASE GRANULAR MATERIAL, TYPE B, 4"
 - 13 AGGREGATE SHOULDER, TYPE B, 6"
 - 14 SHAPE TO DRAIN

- NOTES:**
1. VARIES FROM 0' @ STA. 7+90.99 TO 5.7' @ STA. 10+00.00
VARIES FROM 7.5' @ STA. 16+44.11 TO 0' @ STA. 19+81.31
 2. VARIES FROM 0' @ STA. 7+90.99 TO 21.9' @ STA. 9+89
VARIES FROM 19.6' @ STA. 16+44.11 TO 0' @ STA. 19+23
 3. VARIES FROM 5.7' @ STA. 10+00.00 TO 0' @ STA. 10+30.00
 4. TEMPORARY CONCRETE BARRIER RUNS FROM STA. 8+47 TO STA. 11+63
 5. AGG SHOULDER ONLY FROM STA. 13+55.19 TO STA. 16+44.11



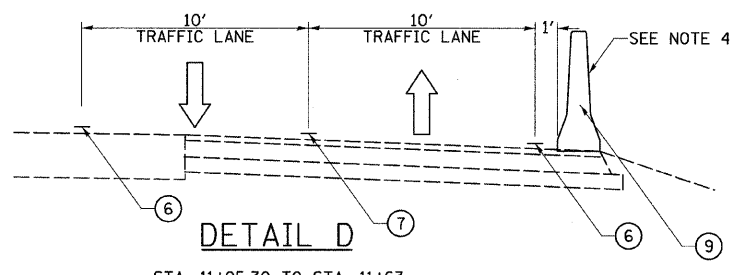
SUPERELEVATION DETAIL C

STA. 17+02.61 TO STA. 19+68.99



RIVER RD. STAGE 1B

STA. 11+05.30 TO STA. 16+44.11



DETAIL D

STA. 11+05.30 TO STA. 11+63

FILE NAME = v:\2545\2545f11801.dgn	USER NAME = bdeoraene	DESIGNED -	REVISED -	STATE OF ILLINOIS DEPARTMENT OF TRANSPORTATION	RIVER RD. STAGE 1B TYPICAL SECTIONS			F.A. RTE.	SECTION	COUNTY	TOTAL SHEETS	SHEET NO.
	PLLOT SCALE = 4,000' / IN.	CHECKED -	REVISED -		SCALE: 1"=4'	SHEET NO. 3	OF 7 SHEETS	STA. N/A	TO STA. N/A	WILL	255	50
	PLLOT DATE = 5/10/2011	DATE -	REVISED -					FED. ROAD DIST. NO.		ILLINOIS FED. AID PROJECT		
											CONTRACT NO. 83126	