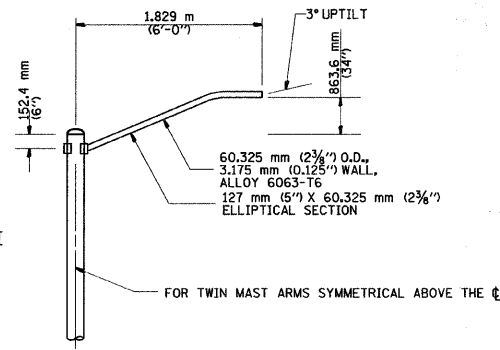
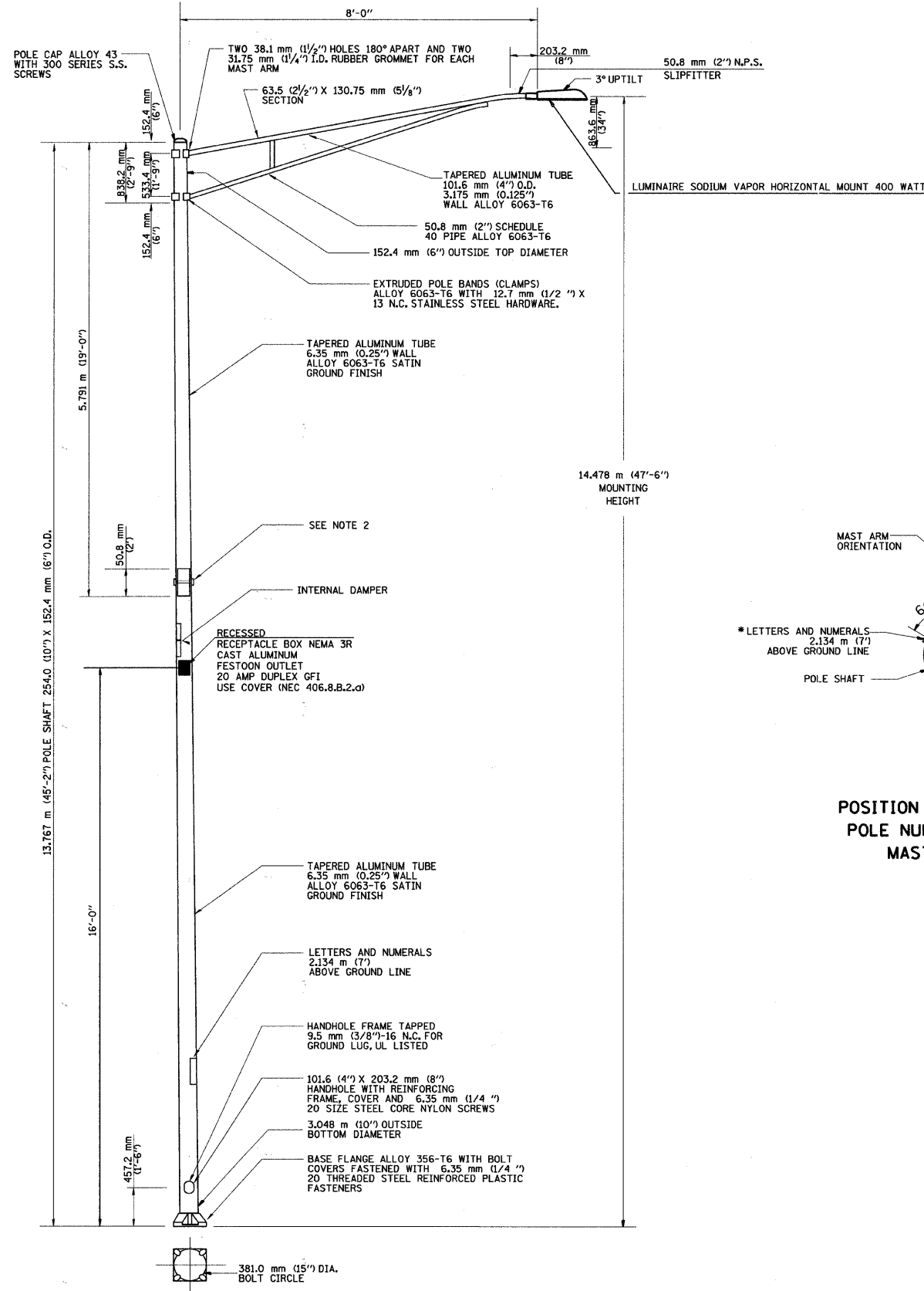
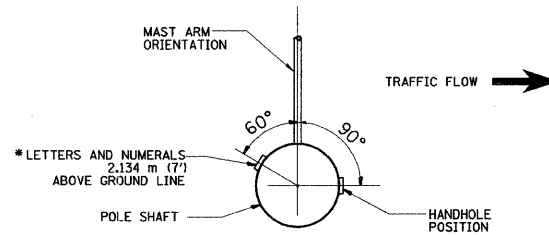


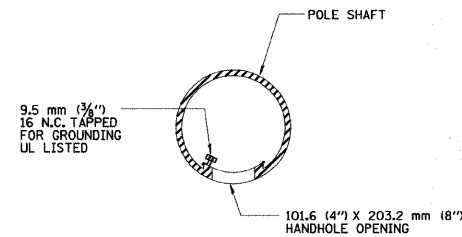
F.A. RTE.	SECTION	COUNTY	TOTAL SHEETS	SHEET NO.
TR55	90-16103-01-BR	WILL	255	117
STA. TO STA.		FED. AID PROJECT		
FED. ROAD DIST. NO.		ILLINOIS		
CONTRACT NO. 83126				



SINGLE MEMBER MAST ARM
(N.T.S.)



POSITION OF HANDHOLE AND POLE NUMBER FOR SINGLE MAST ARM POLES



HANDHOLE DETAIL
(N.T.S.)

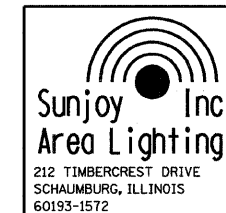
NOTES

- BOLT SLOTS SHALL BE 44.45 (1 3/4") X 50.8 mm (2") CENTERED ON BOLT CIRCLE.
- TWO PIECE SHAFT WILL BE MATCH MARKED AND INTERCHANGEABLE BETWEEN DIFFERENT UNITS. STUD BOLT WILL BE 15.875 mm (5/8") DIA. WITH NUT, FLATWASHER, AND LOCK WASHER. THERE WILL BE NO THREADS ON THE BOLT INSIDE THE POLE SHAFT.
- LUMINAIRES ARE TO BE INSTALLED AS SOON AS POSSIBLE AFTER POLE ERECTION. THE POLE WILL NOT BE PAID FOR UNTIL THE LUMINAIRE IS INSTALLED.
- THE LIGHT POLE WILL MEET AASHTO DESIGN CRITERIA.
- THE DUCT SHALL EXTEND INTO POLE A MINIMUM OF 304.8 mm (12") ABOVE THE BASE.

C:\SUNJOY\Projects\RENWICK ROAD\E-11_of_E-17.dgn

4/8/2010

DATE-TIME
DGN-SPEC V:\2545\SUNJOY LIGHTING INFO\PDF files from Email 04-09-10.pdf
VI-BE19



REVISIONS	
NAME	DATE

ILLINOIS DEPARTMENT OF TRANSPORTATION
ALUMINUM LIGHT POLE
(47'-6")
MOUNTING HEIGHT

SCALE: NONE
DATE **DATE**
DRAWN BY
CHECKED BY