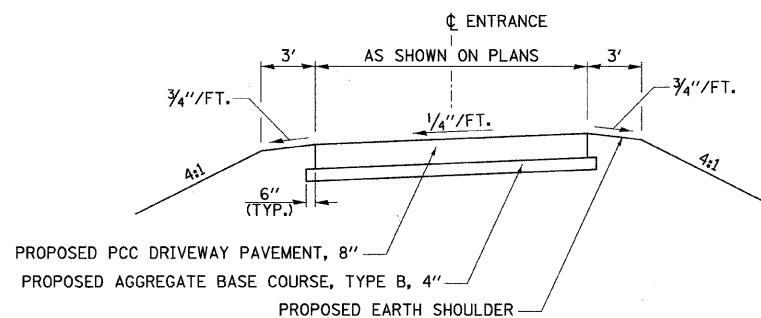
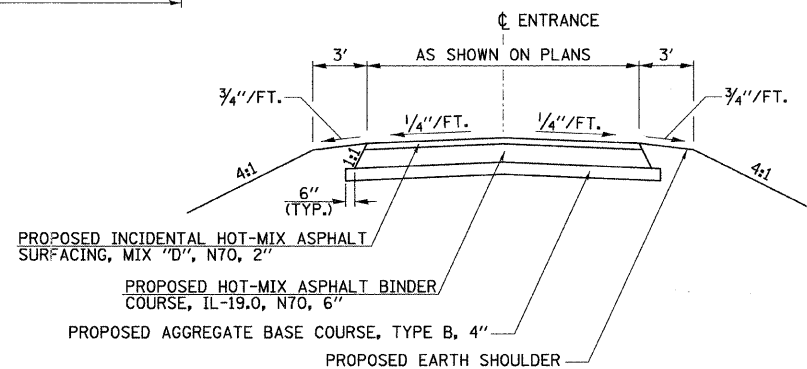


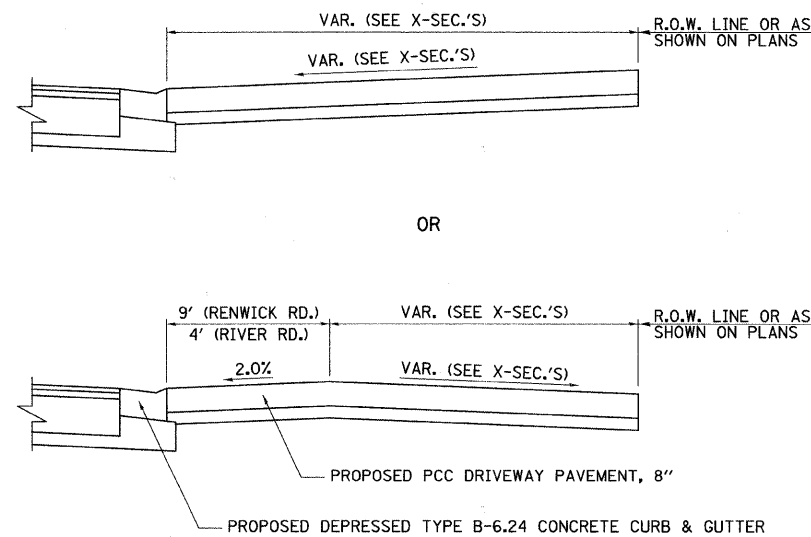
PLAN



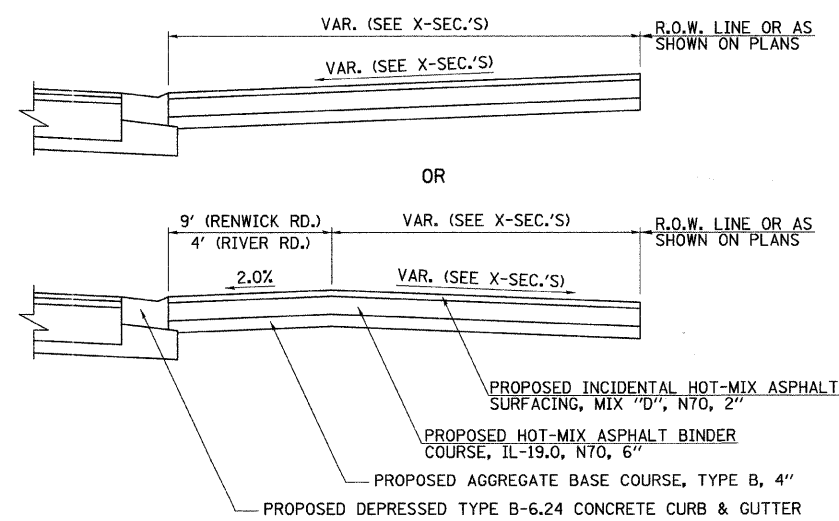
SECTION C-C



SECTION C-C

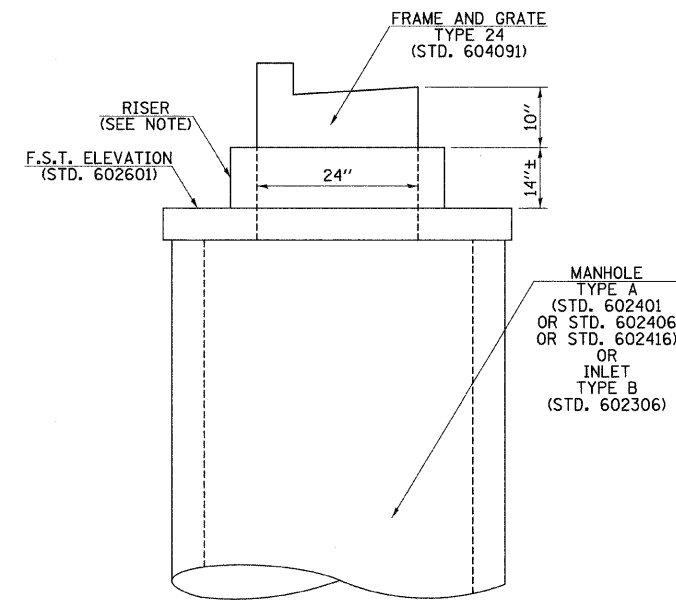


SECTION A-A

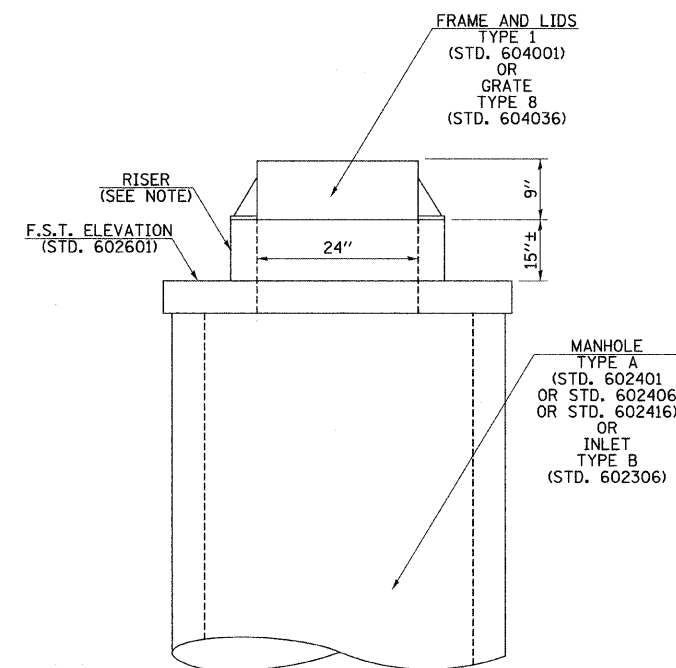


SECTION B-B

PRIVATE AND COMMERCIAL ENTRANCES WITH CURBS



NOTE: THE RISER SHALL BE CONSTRUCTED ACCORDING TO STANDARD 602301 (INLET - TYPE A). THE RISER WILL NOT BE PAID FOR SEPARATELY BUT SHOULD BE INCLUDED IN THE COST OF THE MANHOLE OR INLET TYPE SPECIFIED.



RISER DETAILS

FILE NAME = V:\2545\2545h\001.dgn	USER NAME = bdecreane	DESIGNED -	REVISED -	STATE OF ILLINOIS DEPARTMENT OF TRANSPORTATION	T.R. 55 (RENWICK RD.) & RIVER RD. ENTRANCE & SPECIAL DETAILS		F.A. RTE.	SECTION	COUNTY	TOTAL SHEETS	SHEET NO.	
		DRAWN -	REVISED -		SCALE: 1"=1'	SHEET NO. 1 OF 6 SHEETS	STA. N/A	TR 55	90-16103-01-BR	WILL	255	124
		CHECKED -	REVISED -									
		DATE -	REVISED -									
							CONTRACT NO. 83126					
							ILLINOIS FED. AID PROJECT					