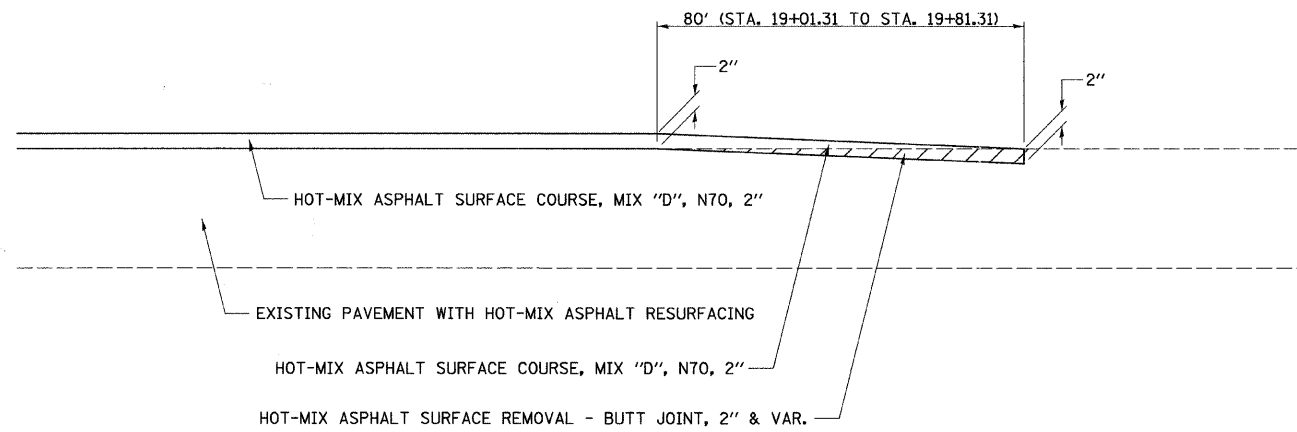


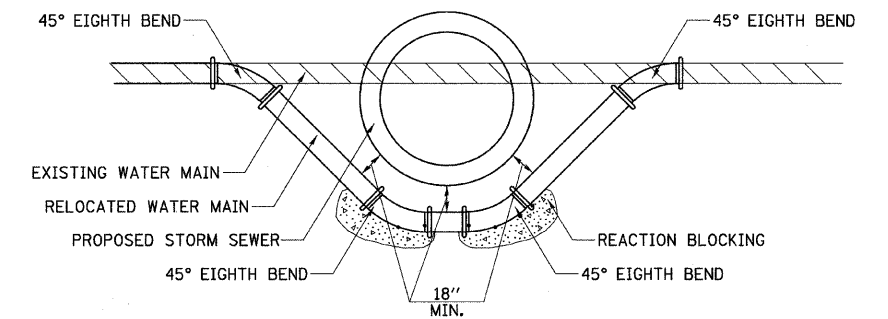
DETAIL OF BEGINNING TRANSITION

RIVER RD. (SOUTH LEG)



DETAIL OF BUTT JOINT

RIVER RD. (NORTH LEG)



DETAIL OF LOWERING WATERMAIN

FILE NAME = V:\2545\2545h204.dgn	USER NAME = bdecrane	DESIGNED -	REVISED -
		DRAWN -	REVISED -
		CHECKED -	REVISED -
		DATE -	REVISED -

**STATE OF ILLINOIS
DEPARTMENT OF TRANSPORTATION**

T.R. 55 (RENWICK RD.) SPECIAL DETAILS

SCALE: N/A SHEET NO. 3 OF 6 SHEETS STA. N/A TO STA.

F.A. RTE. TR 55	SECTION 90-16103-01-BR	COUNTY WILL	TOTAL SHEETS 255	SHEET NO. 126
FED. ROAD DIST. NO. ILLINOIS FED. AID PROJECT			CONTRACT NO. 83126	