

**GENERAL NOTES**

Fasteners shall be AASHTO M 164, Type 1, mechanically galvanized bolts. Bolts 7/8"φ, open holes 15/16"φ, unless otherwise noted.  
 Calculated weight of Structural Steel = 961,300 lbs.  
 No field welding is permitted except as specified in the contract documents.  
 Reinforcement bars shall conform to the requirements of ASTM A 706 Gr. 60. See Special Provisions.  
 Reinforcement bars designated (E) shall be epoxy coated.

Bearing seat surfaces shall be constructed or adjusted to the designated elevations within a tolerance of 1/8 inch (0.01 ft.). Adjustment shall be made either by grinding the surface or by shimming the bearings.

Concrete sealer shall be applied to the seats, steps, backwall, and front cap face of East and West Abutments.

Layout of slope protection system may be varied in the field to suit ground conditions as directed by the Engineer.

The embankment configuration shown shall be the minimum that must be placed and compacted prior to construction of the abutments.

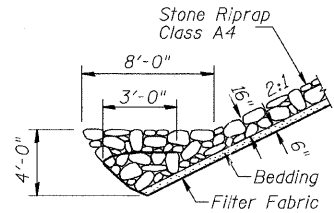
The inorganic Zinc Rich Primer/Acrylic/Acrylic Paint System shall be used for shop and field painting of new structural steel except where otherwise noted. The color of the final finish coat for all steel surfaces shall be gray, Munsell No. 5B 7/1. See Special Provisions for "Cleaning and Painting New Metal Structures".

Slip forming of the bridge parapets will not be allowed.

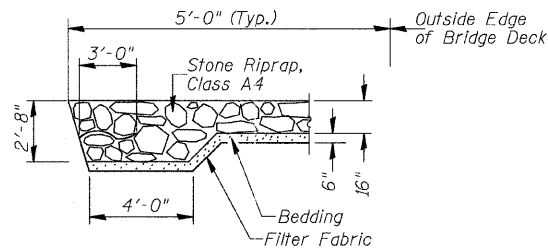
The Contractor shall obtain a construction permit from the Illinois Department of Natural Resources (INDR), Office of Water Resources for any temporary construction activity placed in the water except cofferdams. This shall include the placement of material for run-arounds, causeways, etc. Any permit application by the Contractor shall refer to the IDNR permit number as shown in the contract plans.

Finger plate expansion joints shall be assembled in their final relative position with the ends in place for shop inspection and acceptance.

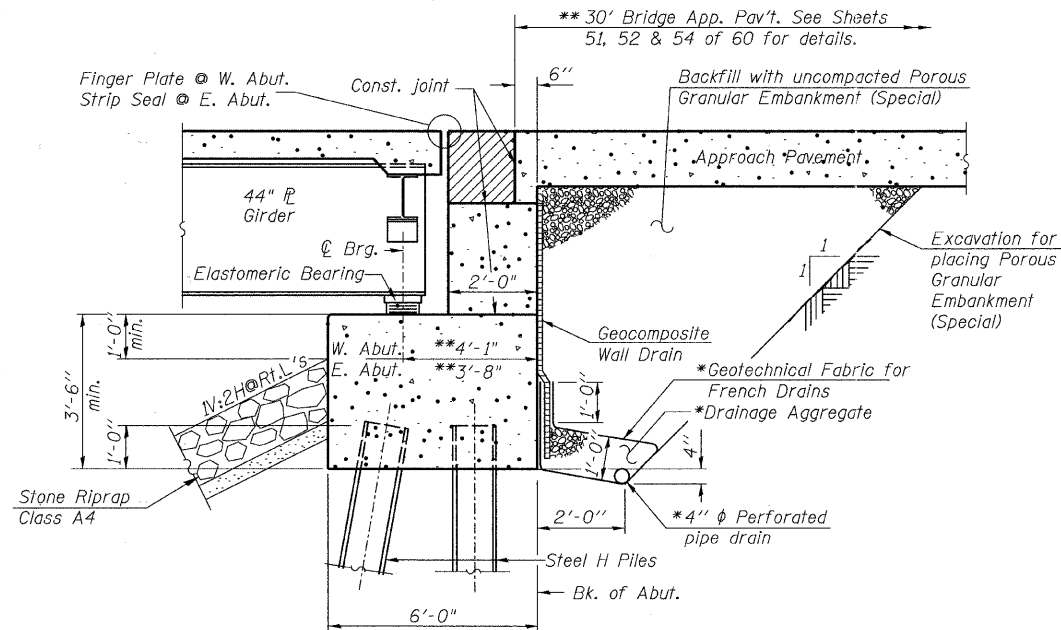
For cleaning, painting and color of Bicycle Railing, Parapet Railing, and Light Poles: See Special Provisions.



**SECTION A-A**  
(At Rt. Angles)



**SECTION B-B**



**SECTION THRU PILE BENT ABUTMENT**  
(Horiz. dim. @ Rt. L's)

\* Included in the cost of Pipe Underdrains for Structures.  
 \*\* Along @ Roadway

**BRIDGE PLANS  
INDEX TO SHEETS**

SHEET #'s	DESCRIPTION
1	General Plan and Elevation
2	General Notes, Summary of Quantities
3	Substructure Layout, Deck Pouring Sequence
4-7	Top of Slab Elevations
8 & 9	Top of Approach Pavement Elevations
10	Superstructure Spans 1 & 2
11	Superstructure Spans 3, 4 & 5 (Top)
12	Superstructure Spans 3, 4 & 5 (Bottom)
13	Deck Cross Section, Spans 1 & 2
14	Deck Cross Section, Spans 3, 4 & 5
15	Superstructure Details
16	North Parapet Details
17	South Parapet Details
18 & 19	Superstructure Details
20	Rail Post Spacing Details
21	DS-11 Scupper Details
22	DS-12 Scupper Details
23	Parapet Railing Details
24	Bicycle Railing Details
25	Preformed Joint Strip Seal (West Abutment)
26-28	Finger Plate & Sliding Plate Expansion Joint (East Abutment)
29 & 30	Framing Plan
31 & 32	Beam Details
33 & 34	Structural Steel Details
35	Beam Camber Details
36	Structural Steel Details
37 & 38	Bearing Details
39	West Abutment
40 & 41	West Abutment Details
42	East Abutment
43 & 44	East Abutment Details
45	Pier 1 Details
46	Pier 2 Details
47	Pier 3 Details
48	Pier 4 Details
49	Bar Splicer Assembly Details
50	HP Pile Details
51-53	Bridge Approach Pavement Details
54	Form Liner details
55 - 60	Boring Logs

**TOTAL BILL OF MATERIAL**

ITEM	UNIT	SUPER	SUB	TOTAL
Structure Excavation	CU YD	-	245	245
Furnishing Steel Piles HP12x63	FOOT	-	502	502
Furnishing Steel Piles HP14x89	FOOT	-	320	320
Furnishing Steel Piles HP12x84	FOOT	-	779	779
Furnishing Steel Piles HP14x102	FOOT	-	517	517
Driving Piles	FOOT	-	502	502
Setting Piles in Rock	EACH	-	55	55
Test Pile Steel HP12x63	EACH	-	2	2
Cofferdam Excavation	CU YD	-	355	355
Cofferdam (Location - 1)	EACH	-	1	1
Concrete Structures	CU YD	-	588.5	588.5
Concrete Superstructure	CU YD	1,061.1	-	1,061.1
Concrete Encasement	CU YD	-	135.6	135.6
Protective Coat	SQ YD	3,990	-	3,990
Reinforcement Bars, Epoxy Coated	POUND	285,030	46,510	331,540
Furnishing and Erecting Structural Steel	L SUM	1	-	1
Bar Splicers	EACH	-	106	106
Stud Shear Connectors	EACH	10,947	-	10,947
Elastomeric Bearing Assembly, Type II	EACH	-	8	8
Elastomeric Bearing Assembly, Type III	EACH	-	6	6
Anchor Bolts, 1 1/2"	EACH	-	84	84
Porous Granular Embankment, Special	CU YD	-	164	164
Stone Riprap, Class A4	SQ YD	-	-	916
Filter Fabric	SQ YD	-	-	916
Name Plates	EACH	-	-	1
* Bicycle Railing	FOOT	679	-	679
Parapet Railing	FOOT	1,237	-	1,237
Bridge Deck Grooving	SQ YD	2,361	-	2,361
Preformed Joint Strip Seal	FOOT	62	-	62
Finger Plate Expansion Joint, 6"	FOOT	47	-	47
Fabric Reinforced Elastomeric Trough	FOOT	46	-	46
Concrete Sealer	SQ YD	-	440	440
Geocomposite Wall Drain	SQ YD	-	91	91
Pipe Underdrains for Structures 4"	FOOT	-	150	150
Drainage Scuppers, DS-11	EACH	2	-	2
Drainage Scuppers, DS-12	EACH	2	-	2
Underwater Structure Excavation Protection - Location No. 1	EACH	-	1	1
Underwater Structure Excavation Protection - Location No. 2	EACH	-	1	1
Underwater Structure Excavation Protection - Location No. 3	EACH	-	1	1
Form Liner Textured Surface	SQ FT	4,330	7,805	12,135

\* Quantity figured on bridge deck plus approach slabs.

DUPAGE RIVER  
 BUILT: 20\_\_ BY  
 PLAINFIELD TOWNSHIP  
 WILL COUNTY  
 SEC. 90-16103-01-BR  
 T.R. 55 STA. 121+61.58  
 LOADING HL-93  
 STR. NO. 099-4105

**NAME PLATE**  
(See Std. 515001)

**GENERAL NOTES, SUMMARY OF QUANTITIES  
STRUCTURE NO. 099-4105**

SHEET NO. 2	RTE.	SECTION	COUNTY	TOTAL SHEETS	SHEET NO.
	TR 55	90-16103-01-BR	WILL	255	146
60 SHEETS	SN 099-4105		CONTRACT NO. 83126		
FED. ROAD DIST. NO. 7 ILLINOIS			FED. AID PROJECT BRS-		

DESIGNED	JOH
CHECKED	BAN
DRAWN	TC
CHECKED	JOH