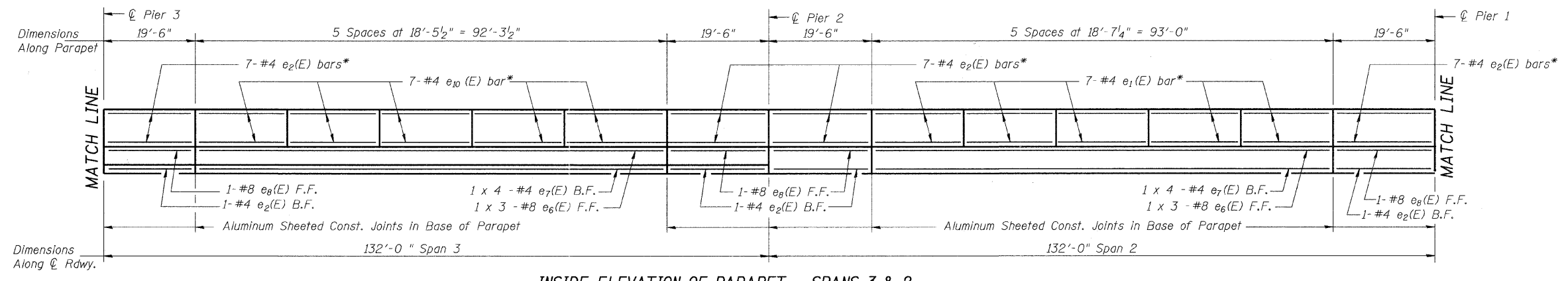
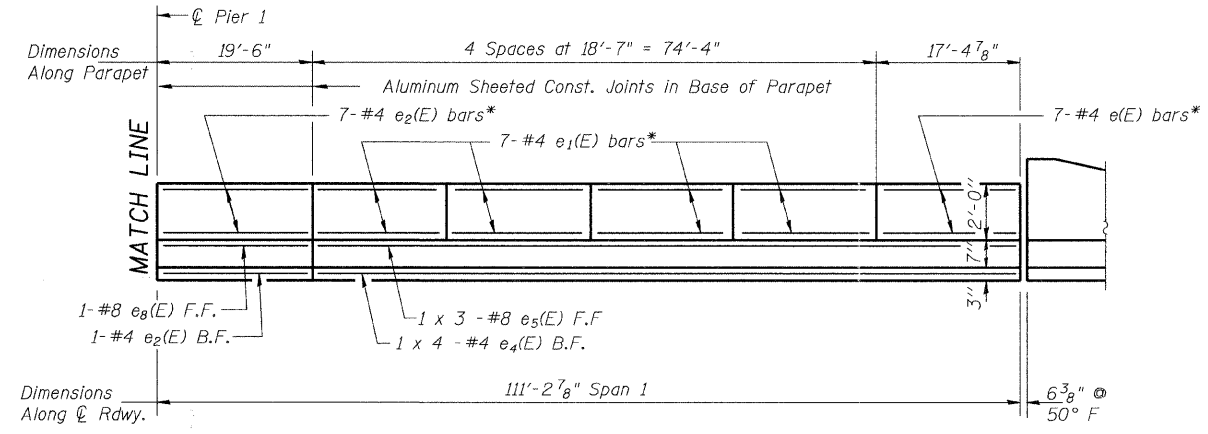


INSIDE ELEVATION OF PARAPET - SPANS 5 & 4



INSIDE ELEVATION OF PARAPET - SPANS 3 & 2



INSIDE ELEVATION OF PARAPET - SPAN 1

MIN. BAR LAP (PARAPET)

- #4 = 1'-4"
- #5 = 1'-8"
- #8 = 3'-5"

Notes:
 * See Section Thru Parapet Sheet 15 of 60.
 F.F. = Front Face
 B.F. = Back Face

**SOUTH PARAPET DETAILS
 STRUCTURE NO. 099-4105**

DESIGNED	JOH
CHECKED	BAN
DRAWN	TC
CHECKED	JOH

SOUTH PARAPET
 (Spans 5 Thru 1)

SHEET NO. 17	RTE.	SECTION	COUNTY	TOTAL SHEETS	SHEET NO.
	TR 55	90-16103-01-BR	WILL	255	161
60 SHEETS	SN 099-4105		CONTRACT NO. 83126		
FED. ROAD DIST. NO. 7 ILLINOIS			FED. AID PROJECT BRS-		