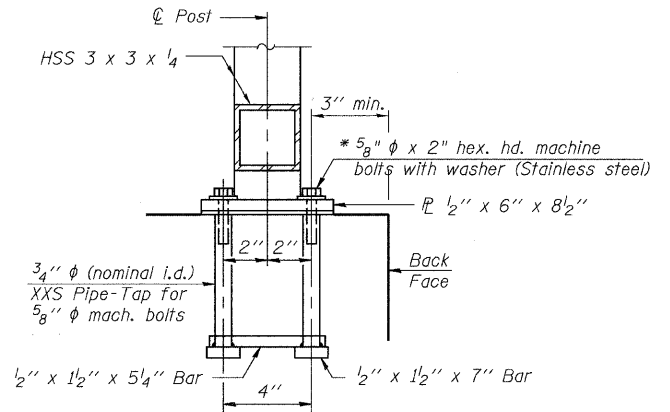
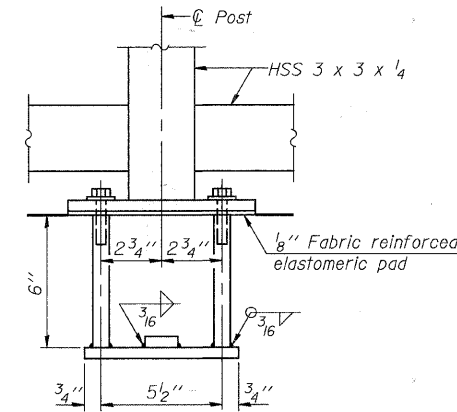
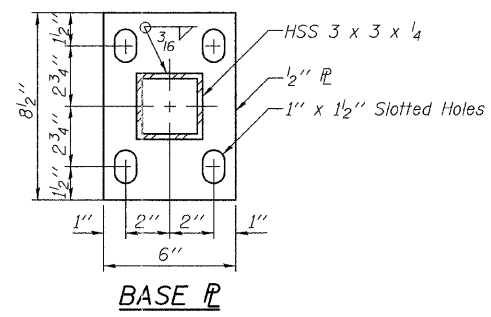


Note: All post, railing, splices, anchor devices, and bent plates shall be painted using the Inorganic Zinc Rich Primer/Acrylic/Acrylic Paint System.

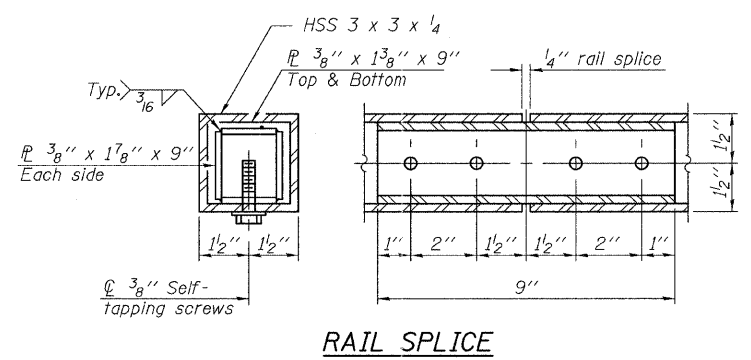


In lieu of the cast-in-place anchor device shown, the Contractor has the option of drilling and setting 5/8"  $\phi$  anchor rods according to Article 509.06 of the Standard Specifications. Embedment shall be according to the manufacturer's specifications.

\* Minimum O.D. 1 1/2"  
Minimum Thickness 1/8"

**BILL OF MATERIAL**

Item	Unit	Quantity
Parapet Railing	Foot	1,237



**PARAPET RAILING DETAILS  
STRUCTURE NO. 099-4105**

DESIGNED	JOH
CHECKED	BAN
DRAWN	TC
CHECKED	JOH

SHEET NO. 23	RTE.	SECTION	COUNTY	TOTAL SHEETS	SHEET NO.
	TR 55	90-16103-01-BR	WILL	255	167
60 SHEETS	SN 099-4105		CONTRACT NO. 83126		
	FED. ROAD DIST. NO. 7 ILLINOIS		FED. AID PROJECT BRS-		