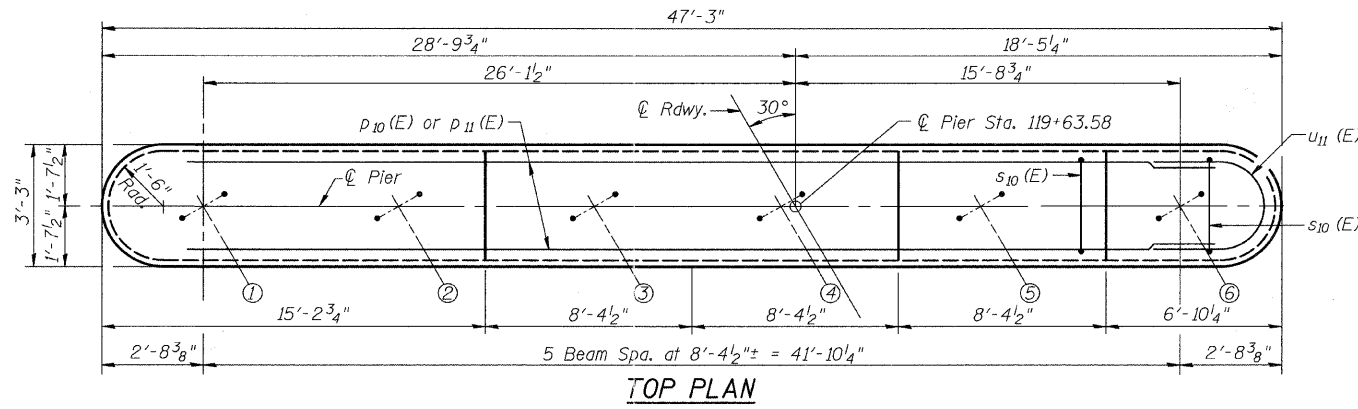
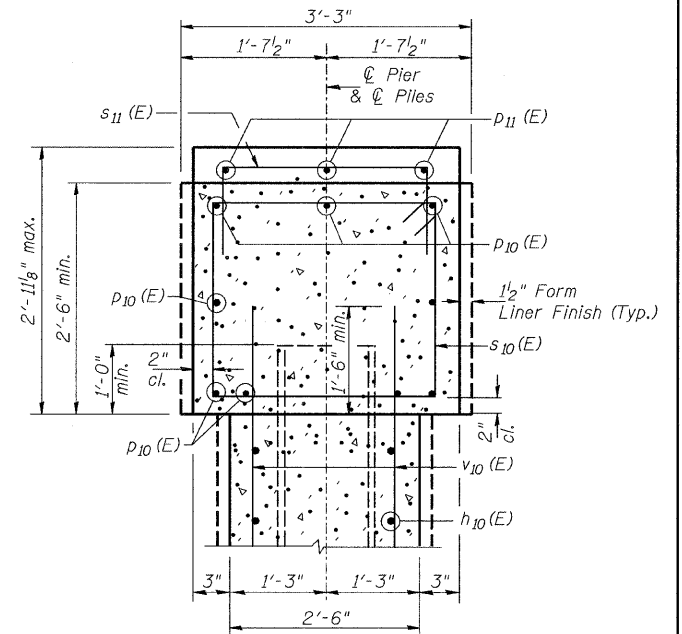


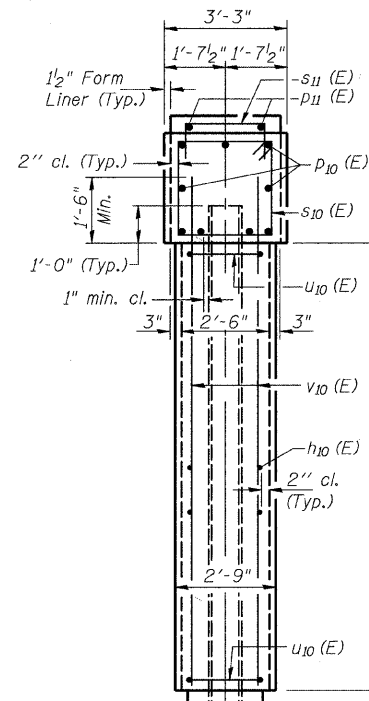
Notes:  
 Space reinforcement in cap to miss anchor bolts.  
 Pour steps monolithically with cap.  
 For details of piles, see sheet 50 of 60.



TOP PLAN



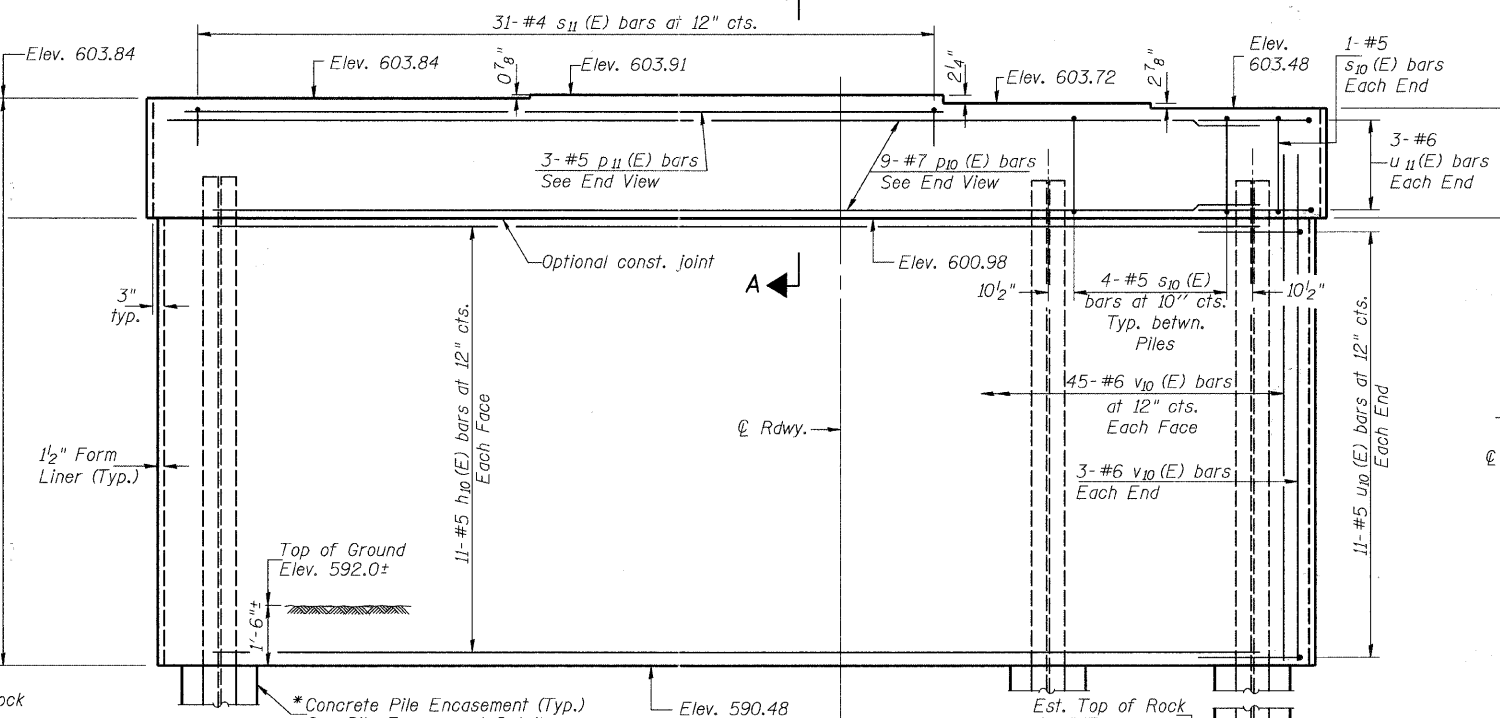
SECTION A-A



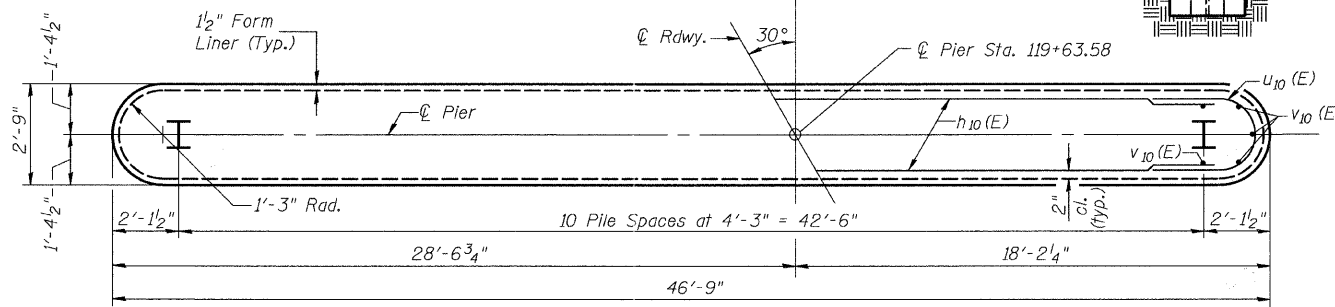
END VIEW

PILE DATA

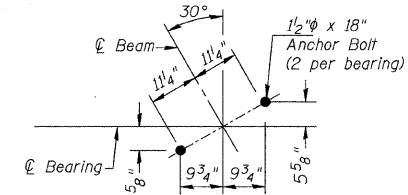
Type: HP12x84 Set in Rock  
 Nominal Required Bearing: 664k  
 Factored Resistance Available: 332k  
 Est. Length: 33'  
 No. Production Piles: 11



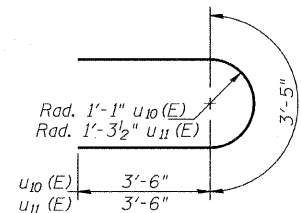
ELEVATION  
 (Looking East)



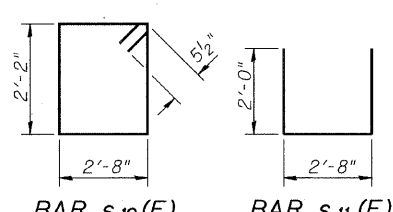
FOOTING PLAN



ANCHOR BOLT LAYOUT



BARS  $u_{10}(E)$  &  $u_{11}(E)$



BAR  $s_{10}(E)$  BAR  $s_{11}(E)$

BILL OF MATERIAL

Bar	No.	Size	Length	Shape
$h_{10}(E)$	22	#5	44'-0"	—
$p_{10}(E)$	9	#7	44'-0"	—
$p_{11}(E)$	3	#5	30'-0"	—
$s_{10}(E)$	42	#5	10'-7"	□
$s_{11}(E)$	31	#4	6'-8"	□
$u_{10}(E)$	22	#5	10'-5"	U
$u_{11}(E)$	6	#6	11'-1"	U
$v_{10}(E)$	96	#6	12'-0"	—
Structure Excavation		Cu. Yd.	19	
Concrete Structures		Cu. Yd.	65.1	
Reinforcement Bars, Epoxy Coated		Pound	4,590	
Furnishing Steel Piles, HP12x84		Foot	363	
Setting Piles in Rock		Each	11	
Underwater Structure Excavation Protection Location No. 1		Each	1	
Concrete Encasement		Cu Yd	27.0	

\* If a portion of the pier wall or concrete encasement is under water, reinforcement may be placed underwater into forms. Concrete shall be tremied according to Article 503.08 of the Standard Specifications to an elevation of 1'-0" above the water line at the time of construction.

PIER 1  
 STRUCTURE NO. 099-4105

DESIGNED	JOH
CHECKED	BAN
DRAWN	TC
CHECKED	JOH

SHEET NO. 45 60 SHEETS	RTE.	SECTION	COUNTY	TOTAL SHEETS	SHEET NO.
	TR 55	90-16103-01-BR	WILL	255	189
	SN 099-4105		CONTRACT NO. 83126		
FED. ROAD DIST. NO. 7 ILLINOIS		FED. AID PROJECT BRS-			