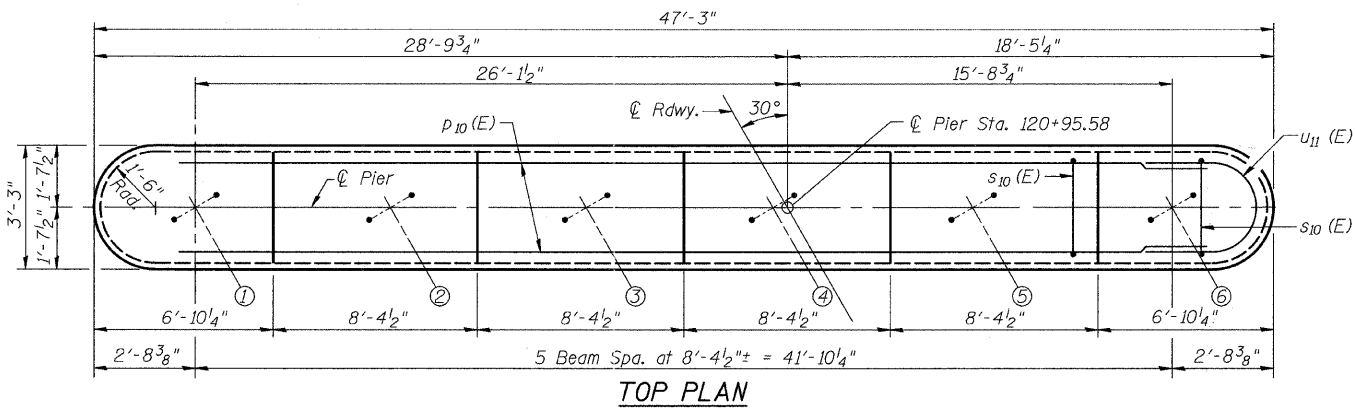
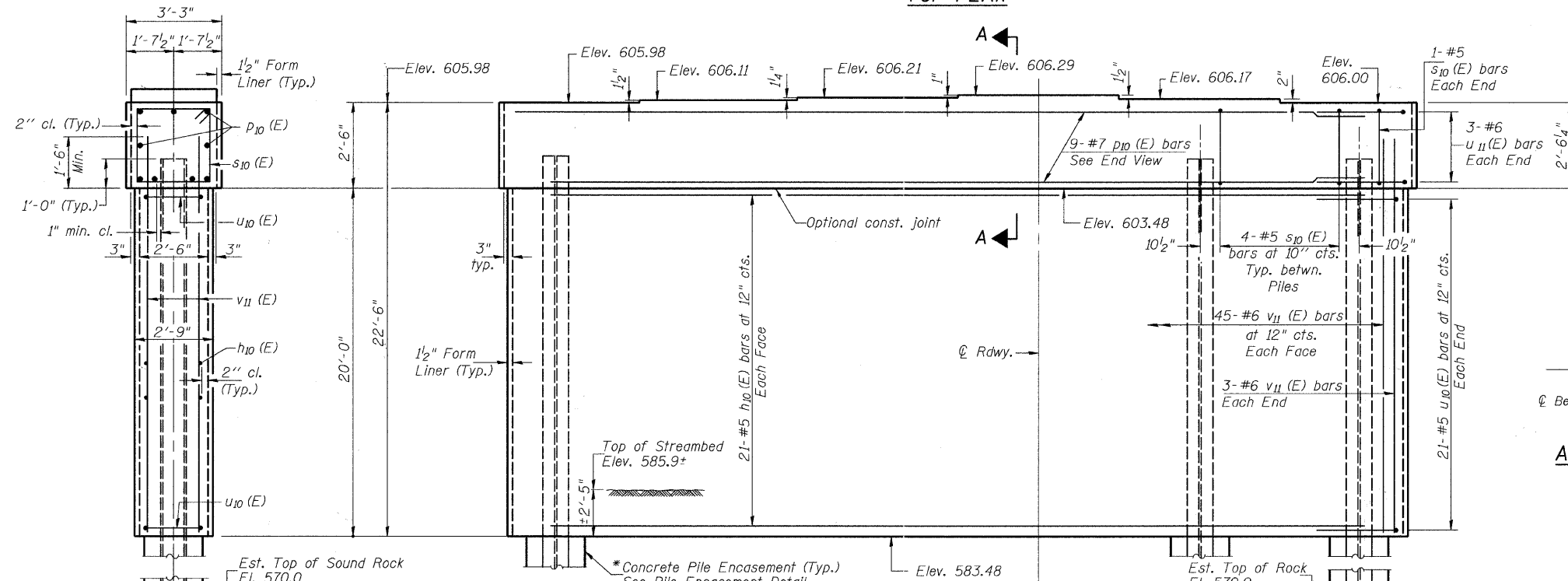


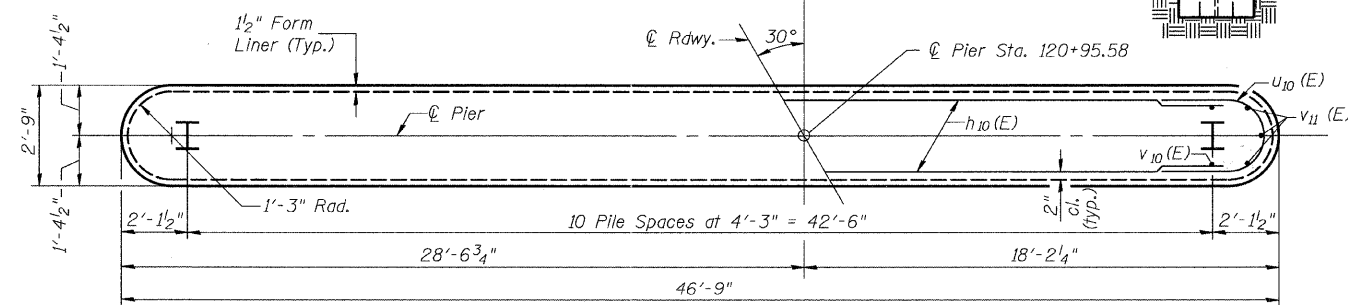
Notes:
 Space reinforcement in cap to miss anchor bolts.
 Pour steps monolithically with cap.
 For details of piles, see sheet 50 of 60.



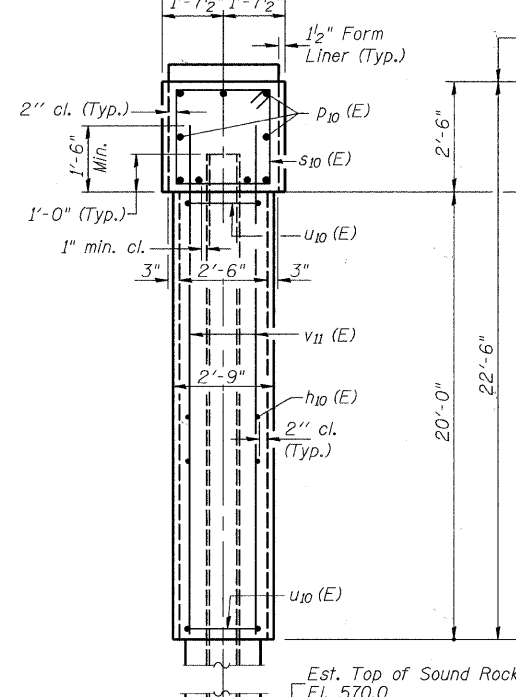
TOP PLAN



ELEVATION
(Looking East)



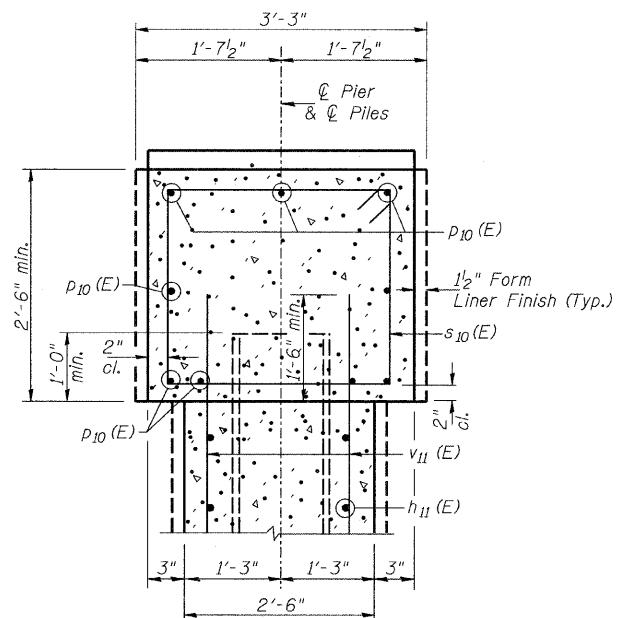
FOOTING PLAN



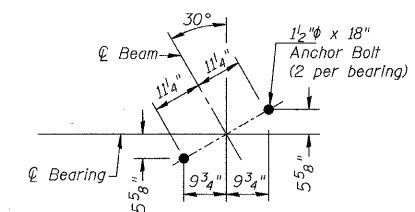
END VIEW

PILE DATA

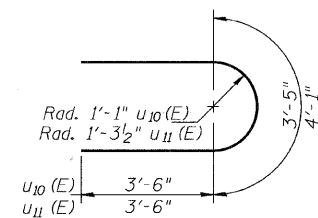
Type: HP14x102 Set in Rock
 Nominal Required Bearing: 810k
 Factored Resistance Available: 405k
 Est. Length: 47'
 No. Production Piles: 11



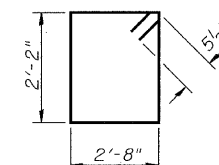
SECTION A-A



ANCHOR BOLT LAYOUT



BARS u10(E) & u11(E)



BAR s10(E)

BILL OF MATERIAL

Bar	No.	Size	Length	Shape
h10(E)	42	#5	44'-0"	—
p10(E)	9	#7	44'-0"	—
s10(E)	42	#5	10'-7"	□
u10(E)	42	#5	10'-5"	U
u11(E)	6	#6	11'-1"	U
v11(E)	96	#6	21'-6"	—
Structure Excavation		Cu. Yd.	30	
Concrete Structures		Cu. Yd.	108.9	
Reinforcement Bars, Epoxy Coated		Pound	6,860	
Furnishing Steel Piles, HP14x102		Foot	517	
Setting Piles in Rock		Each	11	
Underwater Structure Excavation Protection Location No. 2		Each	1	
Concrete Encasement		Cu Yd	27.1	

* If a portion of the pier wall or concrete encasement is under water, reinforcement may be placed underwater into forms. Concrete shall be tremied according to Article 503.08 of the Standard Specifications to an elevation of 1'-0" above the water line at the time of construction.

PIER 2
 STRUCTURE NO. 099-4105

DESIGNED	JOH
CHECKED	BAN
DRAWN	TC
CHECKED	JOH

SHEET NO. 46 60 SHEETS	RTE.	SECTION	COUNTY	TOTAL SHEETS	SHEET NO.
	TR 55	90-16103-01-BR	WILL	255	190
	SN 099-4105		CONTRACT NO. 83126		
	FED. ROAD DIST. NO. 7	ILLINOIS	FED. AID PROJECT BRS-		