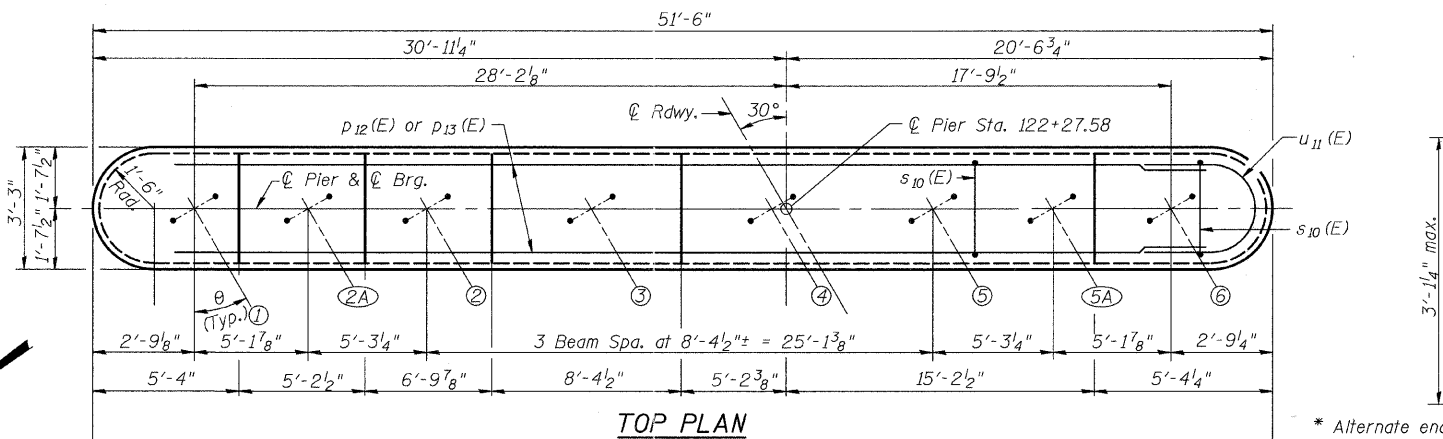


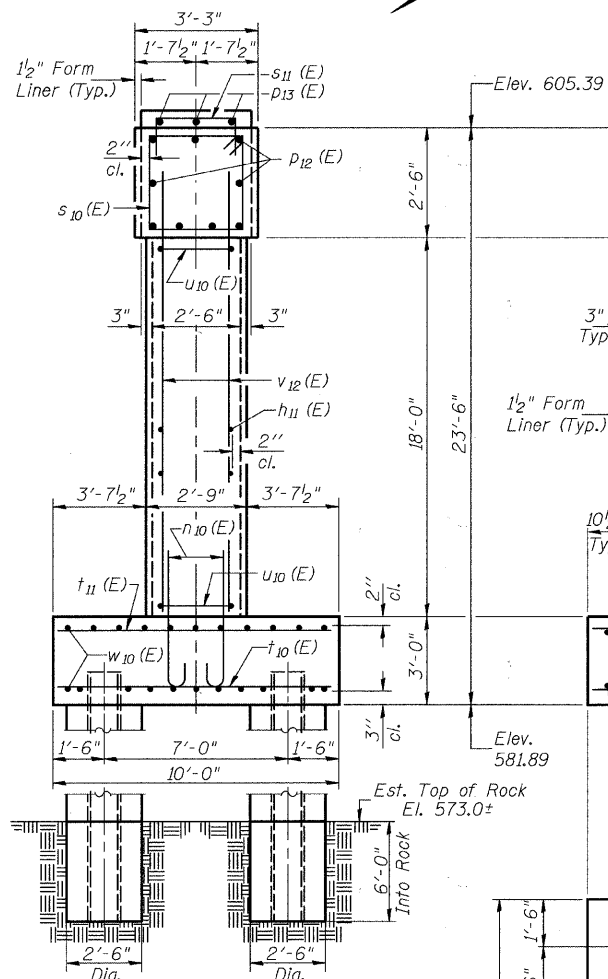
Notes:
 Space reinforcement in cap to miss anchor bolts.
 Pour steps monolithically with cap.
 For details of piles, see sheet 50 of 60.
 Place s₁₂(E) bars at 2'-0" horiz. spacing and
 alternate hooked end in each line.

PILE DATA

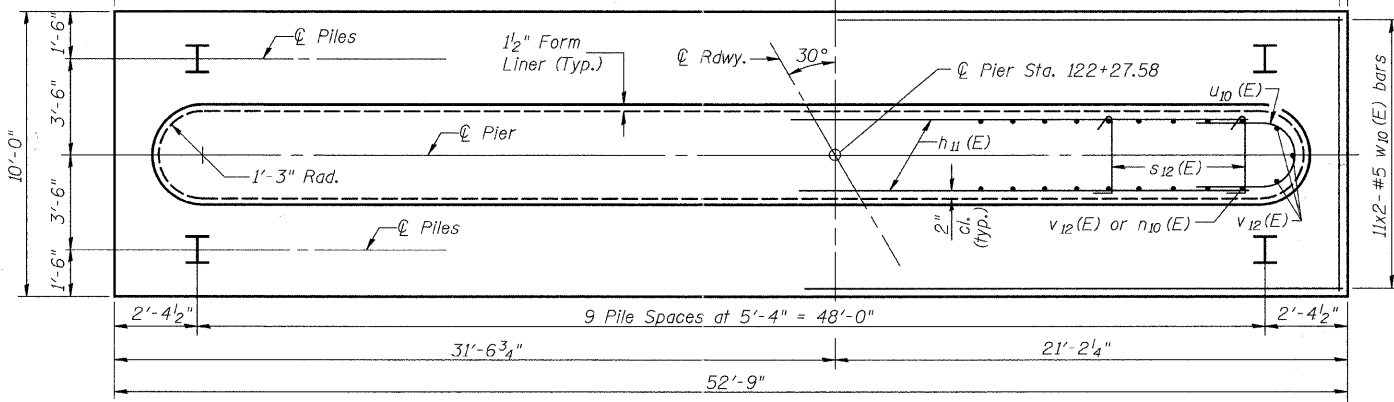
Type: HP14x89 Set In Rock
 Nominal Required Bearing: 705k
 Factored Resistance Available: 352k
 Est. Length: 16'
 No. Production Piles: 20



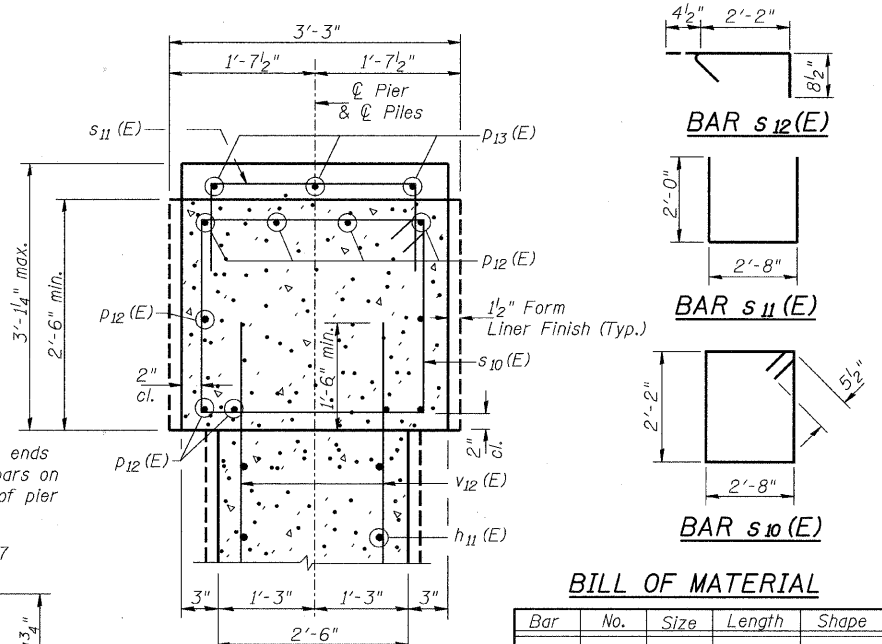
TOP PLAN



ELEVATION
(Looking East)



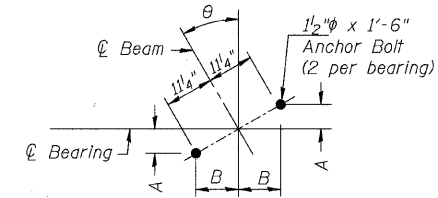
FOOTING PLAN



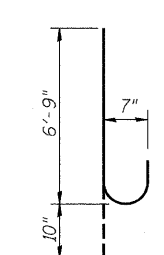
SECTION A-A

ANCHOR BOLT DIMENSIONS

Girder No.	θ	A	B
G-1	30.99°	5 3/4"	9 5/8"
G-2A	30.49°	5 3/4"	9 3/4"
G-2 thru G-5	30°	5 5/8"	9 3/4"
G-5A	29.51°	5 1/2"	9 3/4"
G-6	28.99°	5 1/2"	9 7/8"



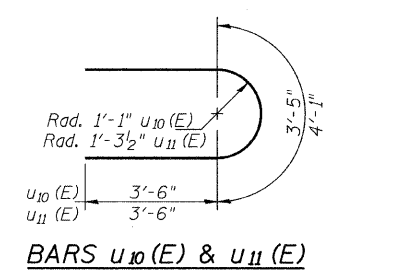
ANCHOR BOLT LAYOUT



BAR n₁₀(E)

BILL OF MATERIAL

Bar	No.	Size	Length	Shape
h ₁₁ (E)	76	#5	25'-3"	—
n ₁₀ (E)	104	#7	7'-7"	U
p ₁₂ (E)	20	#7	25'-9"	—
p ₁₃ (E)	3	#5	32'-3"	—
s ₁₀ (E)	49	#5	10'-7"	□
s ₁₁ (E)	33	#4	6'-8"	□
s ₁₂ (E)	475	#4	3'-3"	└┘
t ₁₀ (E)	78	#8	9'-9"	—
t ₁₁ (E)	53	#5	9'-9"	—
u ₁₀ (E)	38	#5	10'-5"	U
u ₁₁ (E)	8	#6	11'-1"	U
v ₁₂ (E)	104	#7	19'-6"	—
w ₁₀ (E)	44	#5	27'-3"	—
Cofferdam Excavation			Cu. Yd.	355
Concrete Structures			Cu. Yd.	167.8
Reinforcement Bars, Epoxy Coated			Pound	15,000
Furnishing Steel Piles, HP14x89			Foot	320
Setting Piles in Rock			Each	20
Cofferdam			Each	1
Concrete Encasement			Cu Yd	32.6



BARS u₁₀(E) & u₁₁(E)

**PIER 3
STRUCTURE NO. 099-4105**

SHEET NO. 47 60 SHEETS	RTE.	SECTION	COUNTY	TOTAL SHEETS	SHEET NO.
	TR 55	90-16103-01-BR	WILL	255	191
SN 099-4105			CONTRACT NO. 83126		
FED. ROAD DIST. NO. 7 ILLINOIS			FED. AID PROJECT BRS-		

DESIGNED	JOH
CHECKED	BAN
DRAWN	TC
CHECKED	JOH

MIN. BAR LAP

#5 = 2'-2"
 #7 = 3'-5"