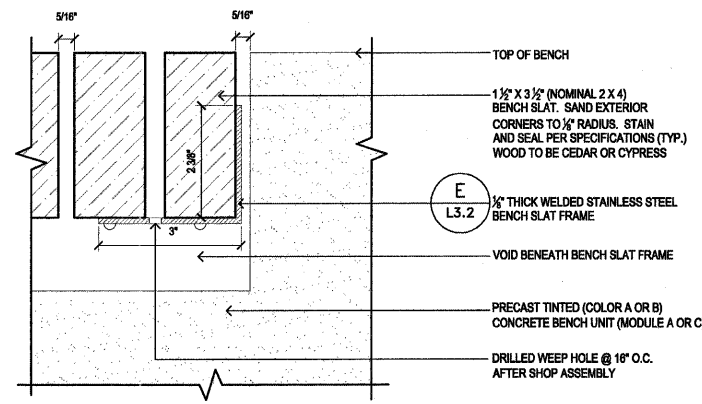
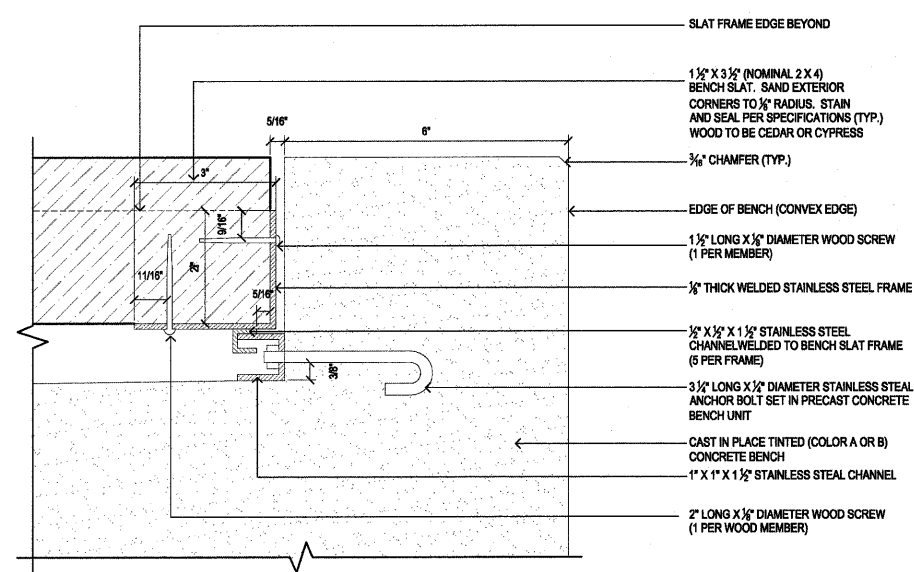


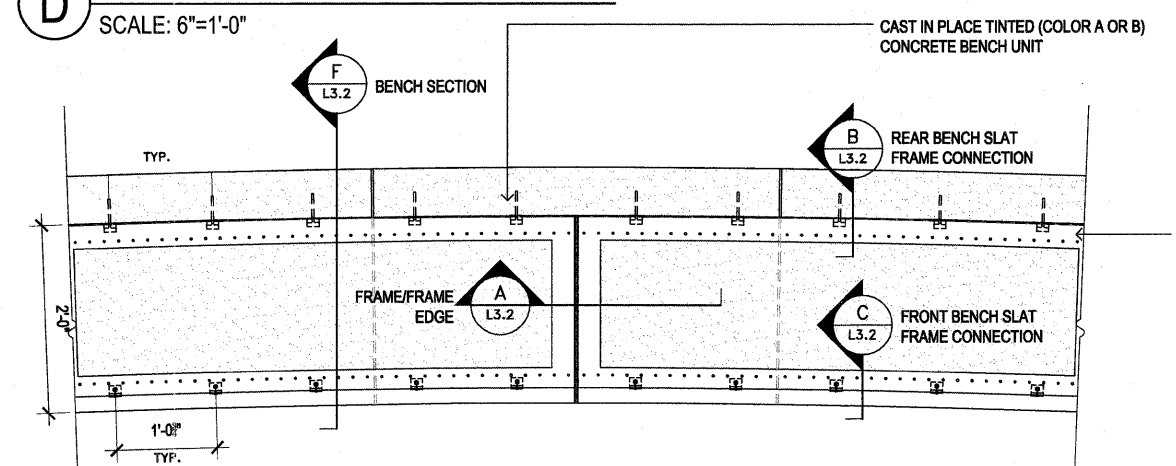
A FRAME/FRAME EDGE DETAIL
SCALE: 6"=1'-0"



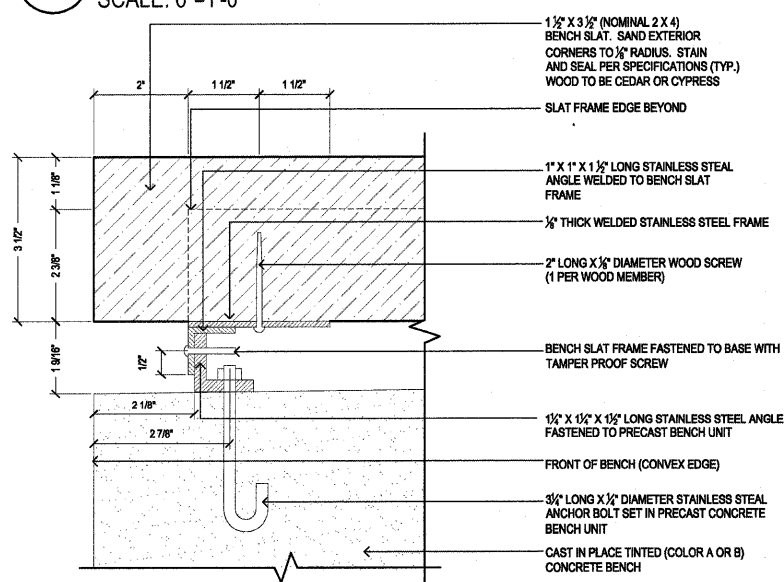
D FRAME BENCH EDGE DETAIL
SCALE: 6"=1'-0"



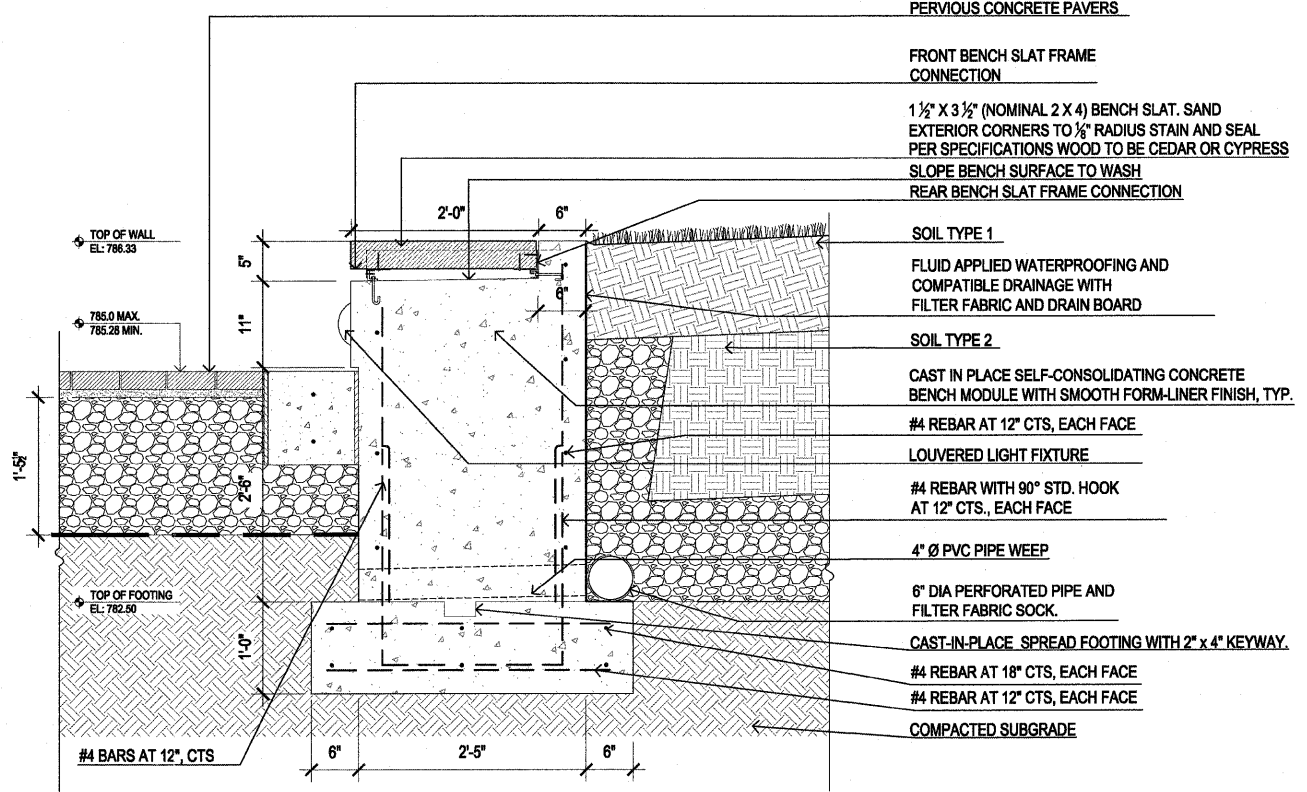
B REAR BENCH SLAT FRAME CONNECTION
SCALE: 6"=1'-0"



E BENCH SLAT FRAME PLAN
SCALE: 1"=1'-0"



C FRONT BENCH SLAT FRAME CONNECTION
SCALE: 6"=1'-0"



F SEATWALL PROFILE
SCALE: 1"=1'-0"

FILE NAME =	DESIGNED -- P.L.S.	REVISED -- 04-01-11	STATE OF ILLINOIS DEPARTMENT OF TRANSPORTATION		L3.2 - HARDSCAPE DETAILS		F.A.U. RTE.	SECTION	COUNTY	TOTAL SHEETS	SHEET NO.
PLOT DATE =	DRAWN -- R.N.R.	REVISED -- 04-22-11			SCALE :		10-00243-02-LS	MCLEAN	40	29	
	CHECKED -- J.M.B.	REVISED --			SHEET NO. 29 OF 40 SHEETS						
	DATE -- 3-11	REVISED --			STA. TO STA.		FED. ROAD DIST. NO. ...	ILLINOIS	FED. AID PROJECT	CONTRACT NO. 91461	