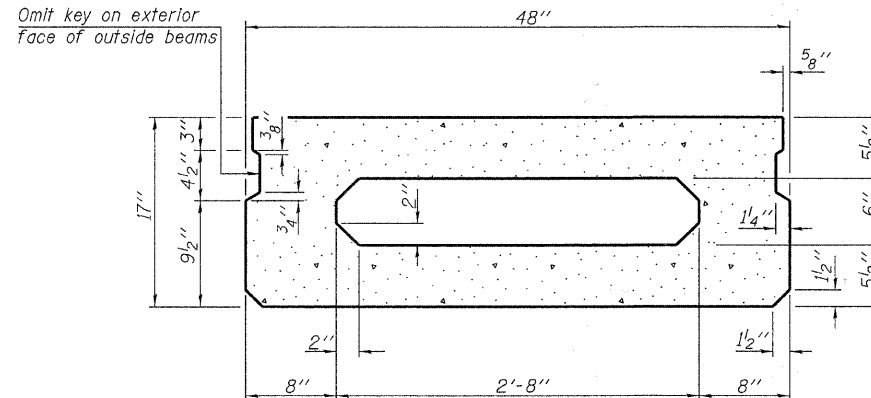
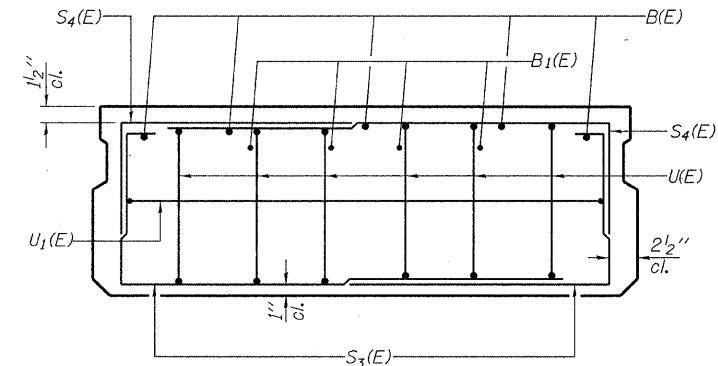


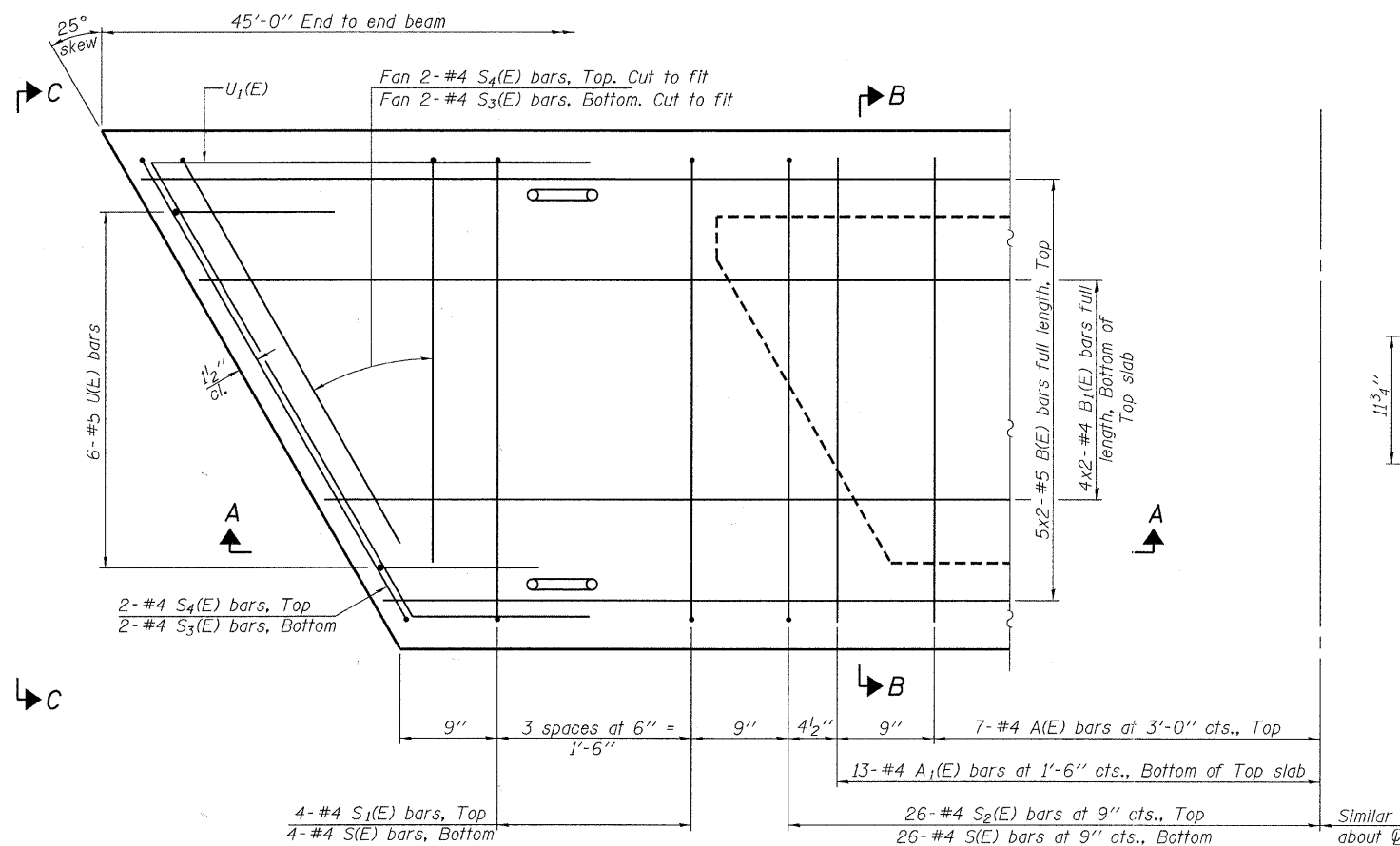
**SECTION A-A**



**SECTION B-B**  
(Showing dimensions)

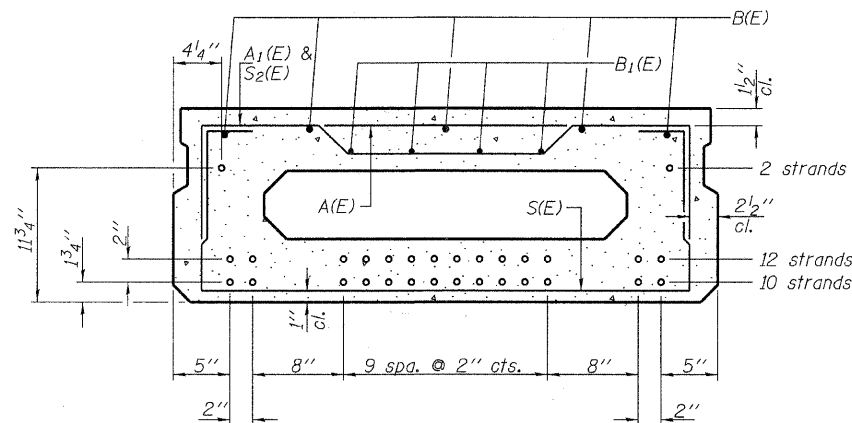


**VIEW C-C**



**PLAN VIEW**

Note:  
Spacing of S(E) and S2(E) bars may be adjusted up to 4" in the immediate area of the transverse tie diaphragms to miss the block outs for the transverse ties.  
Bars indicated thus 5x2-#5 etc. indicates 5 lines of bars with 2 lengths per line.



**SECTION B-B**

(Showing reinforcement and permissible strand locations)  
Note: Place the number of strands specified in each row symmetrically about the centerline of beam in the permissible strand locations shown.

**BAR LIST**  
**ONE BEAM ONLY**  
(For information only)

Bar	No.	Size	Length	Shape
A(E)	14	#4	3'-7"	—
A1(E)	26	#4	3'-10"	—
B(E)	10	#5	23'-7"	—
B1(E)	8	#4	23'-4"	—
S(E)	60	#4	6'-9"	□
S1(E)	8	#4	5'-3"	□
S2(E)	52	#4	5'-6"	□
S3(E)	8	#4	4'-6"	□
S4(E)	8	#4	3'-9"	□
U(E)	12	#5	3'-8"	□
U1(E)	2	#4	8'-0"	□

Note: See sheets 4 & 5 of 9 for additional details and Bill of Material.

**MINIMUM BAR LAP**

#4 bar = 2'-0"  
#5 bar = 2'-6"

PD-1748-R

7-1-10

FILE NAME = 100059-ah-bridge.dgn	USER NAME =	DESIGNED - D.W.T.	REVISED -
HAMPTON, LENZINI AND RENWICK, INC. 333 STEVENSON DRIVE, SUITE 201 SPRINGFIELD, ILLINOIS 62703		CHECKED - S.W.M.	REVISED -
ILLINOIS PROFESSIONAL DESIGN FIRM L.S. / P.E. / S.E. CORP. 184-00089	PLOT SCALE =	DRAWN - D.A.B.	REVISED -
	PLOT DATE = 5/23/2011	CHECKED - S.W.M.	REVISED -

**STATE OF ILLINOIS**  
**EDWARDS COUNTY HIGHWAY DEPARTMENT**

**17" x 48" PPC DECK BEAM**  
**STRUCTURE NO. 024-3139**

SHEET NO. 2 OF 9 SHEETS

T.R.	SECTION	COUNTY	TOTAL SHEETS	SHEET NO.
25	09-02117-00-BR	EDWARDS	13	6
ROAD DISTRICT #2			CONTRACT NO. 95661	
ILLINOIS FED. AID PROJECT				