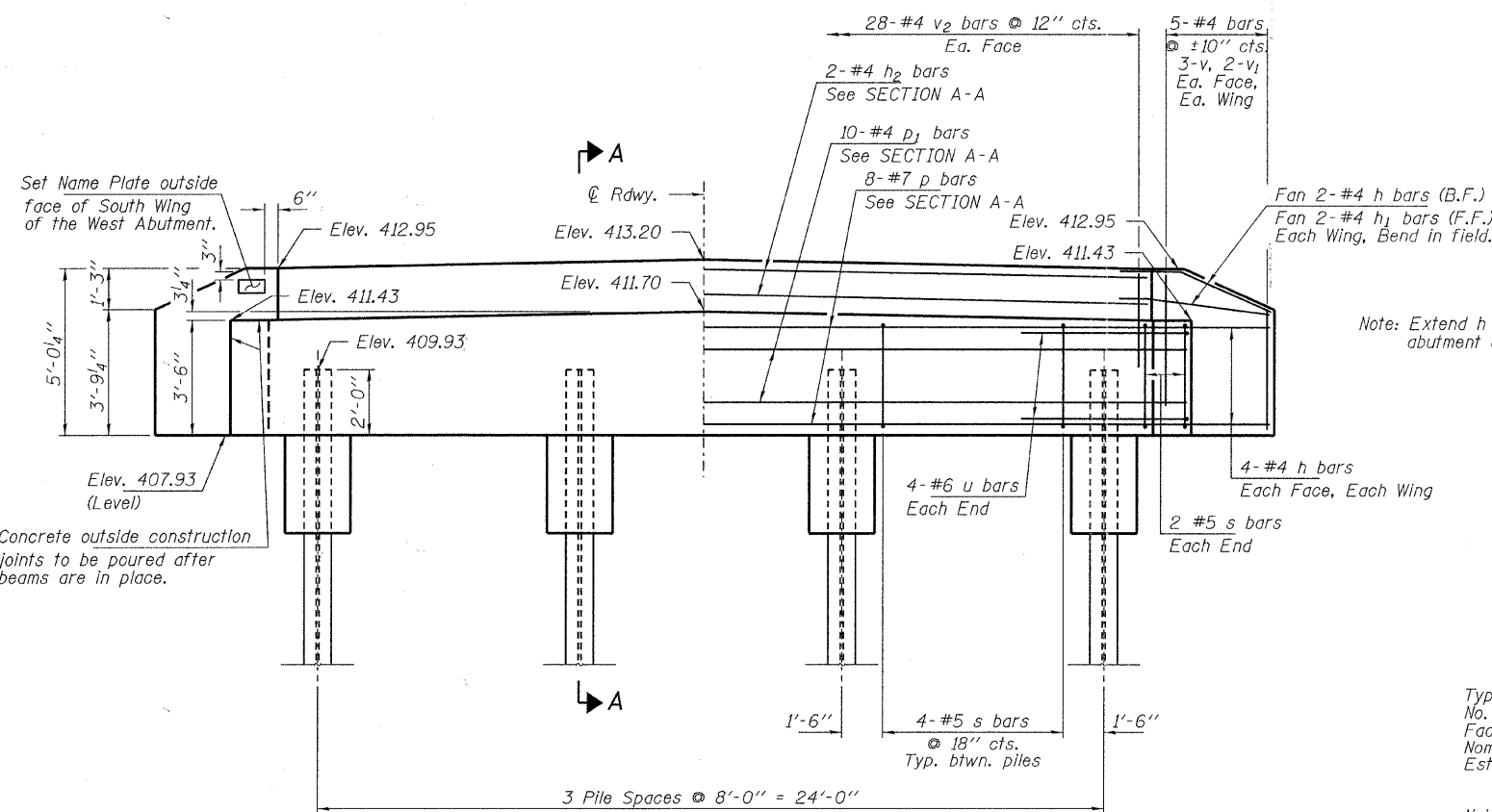
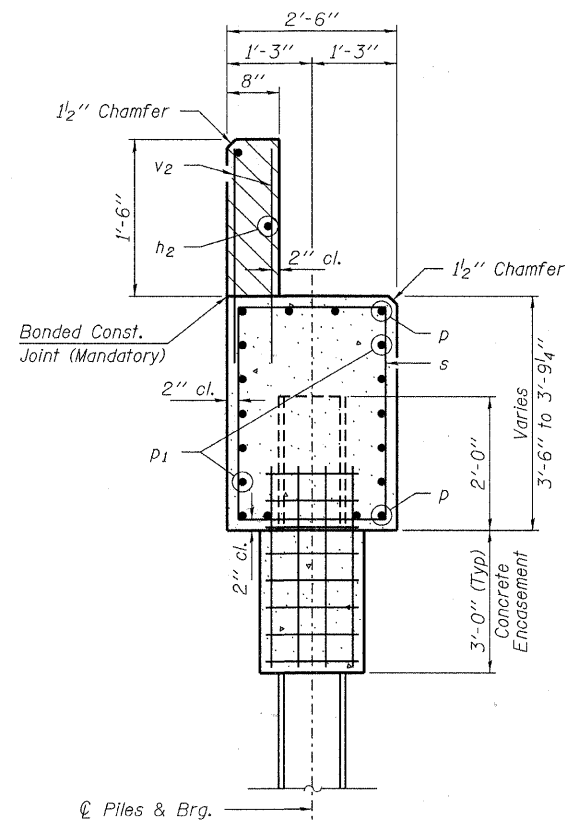


PLAN

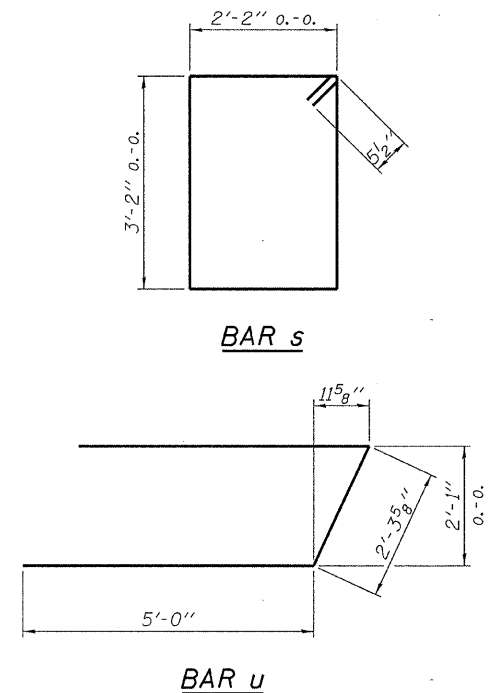


ELEVATION



SECTION A-A

Hatched area to be poured after beams are in place.



BAR s

BAR u

Note: Extend h bars into abutment cap.

PILE DATA

Type ----- Steel HP10x42
 No. Req'd. (2 Abuts.) ----- *8
 Factored Resistance Available (Rf) ----- 138 Kips/Pile
 Nominal Required Bearing (Rn) ----- 251 Kips/Pile
 Est. Length ----- 45 Ft/Pile

Notes: * Includes one test pile to be driven in permanent locations at the West Abutment.

The Steel H-Piles shall be according to AASHTO M270 Grade 50.

The test piles shall be driven to 110 percent of the Nominal Required Bearing Indicated in the pile data information.

BILL OF MATERIAL - 2 ABUTS.

BAR	NO.	SIZE	LENGTH	SHAPE
h	40	#4	5'-0"	—
h1	8	#4	3'-6"	—
h2	4	#4	27'-10"	—
p	16	#7	27'-10"	—
p1	20	#4	27'-10"	—
s	32	#5	11'-7"	□
u	16	#6	12'-4"	U
v	24	#4	4'-3"	—
v1	16	#4	3'-6"	—
v2	112	#4	2'-4"	—
Concrete Structures			Cu. Yd.	23.2
Concrete Encasement			Cu. Yd.	2.8
Reinforcement Bars			Pound	2,470
Steel Piles HP10x42			Foot	315
Test Piles Steel HP10x42			Each	1
Name Plates			Each	1

FILE NAME = 100059-shr-bridge.dgn	USER NAME =	DESIGNED - D.W.T.	REVISED -
HAMPTON, LENZINI AND RENWICK, INC. 3025 STEVENSON DRIVE, SUITE 201 SPRINGFIELD, ILLINOIS 62703	PLOT SCALE =	CHECKED - S.W.M.	REVISED -
ILLINOIS PROFESSIONAL DESIGN FIRM L3 / PE / SE CORP. 184-000009	PLOT DATE = 5/23/2011	DRAWN - D.A.B.	REVISED -
		CHECKED - S.W.M.	REVISED -

STATE OF ILLINOIS
EDWARDS COUNTY HIGHWAY DEPARTMENT

ABUTMENTS
STRUCTURE NO. 024-3139

SHEET NO. 6 OF 9 SHEETS

T.R.	SECTION	COUNTY	TOTAL SHEETS	SHEET NO.
25	09-02117-00-BR	EDWARDS	13	10
ROAD DISTRICT #2			CONTRACT NO. 95661	
ILLINOIS FED. AID PROJECT				