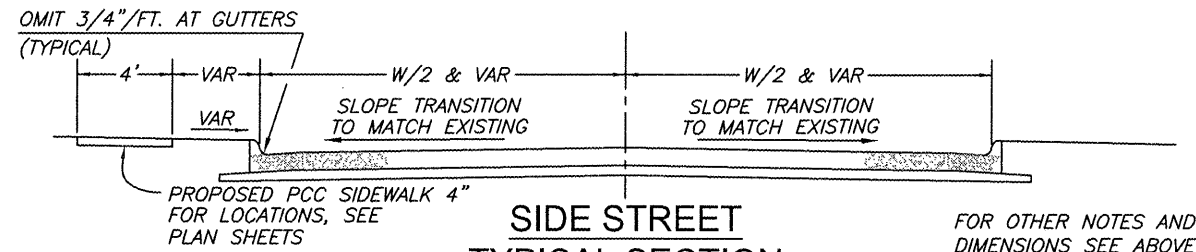


ROUTE	SECTION	COUNTY	TOTAL SHEETS	SHEET NO.
9557	05-00081-00-RP	SALINE	45	4
CITY OF HARRISBURG		GRANGER STREET		

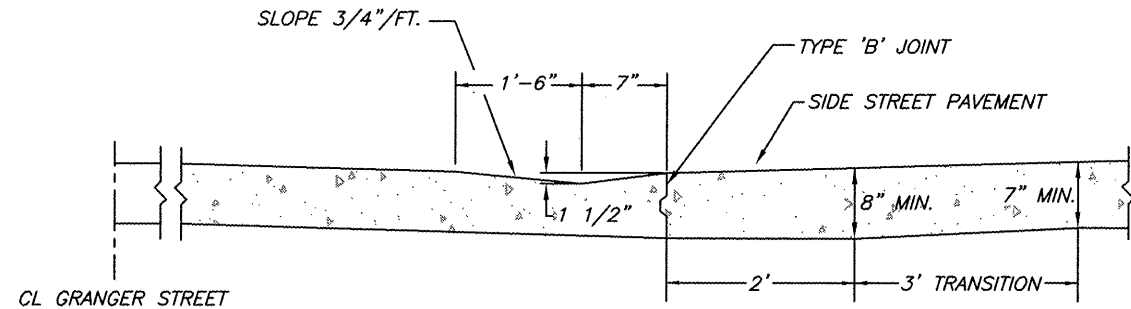
CONTRACT NO. 99439



SIDE STREET TYPICAL SECTION

NO SCALE
TO BE USED AT SIDE STREETS

FOR OTHER NOTES AND DIMENSIONS SEE ABOVE TYPICAL SECTION.



DEPRESSED CURB

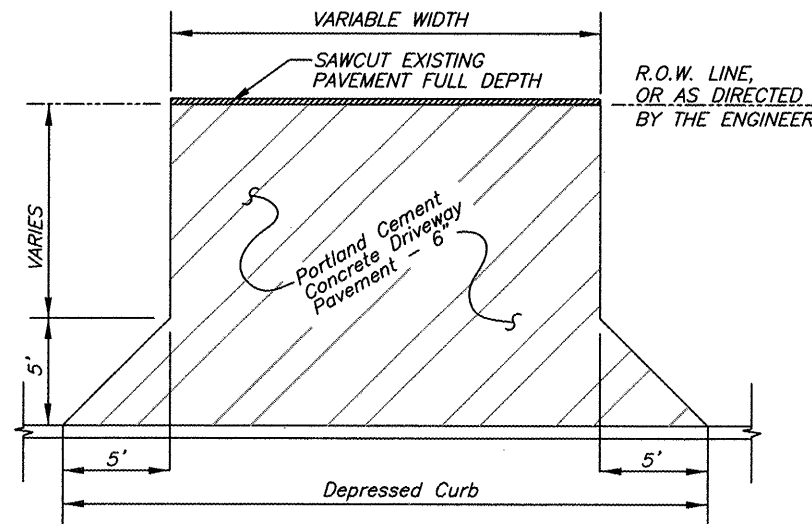
NO SCALE
TO BE USED ADJACENT TO CITY STREETS
FOR JOINT 'B' DETAILS, SEE STANDARD BLR 10-6

SIDE STREET WIDTHS

LOCATION	WIDTH
HOMER ST.	22'
RAYMOND ST. (WEST)	26'
RAYMOND ST. (WEST)	22'
LINCOLN AVE.	24'
SOUTH ST. (WEST)	24'
SOUTH ST. (EAST)	21'
CHURCH ST. (WEST)	24'
CHURCH ST. (EAST)	30'

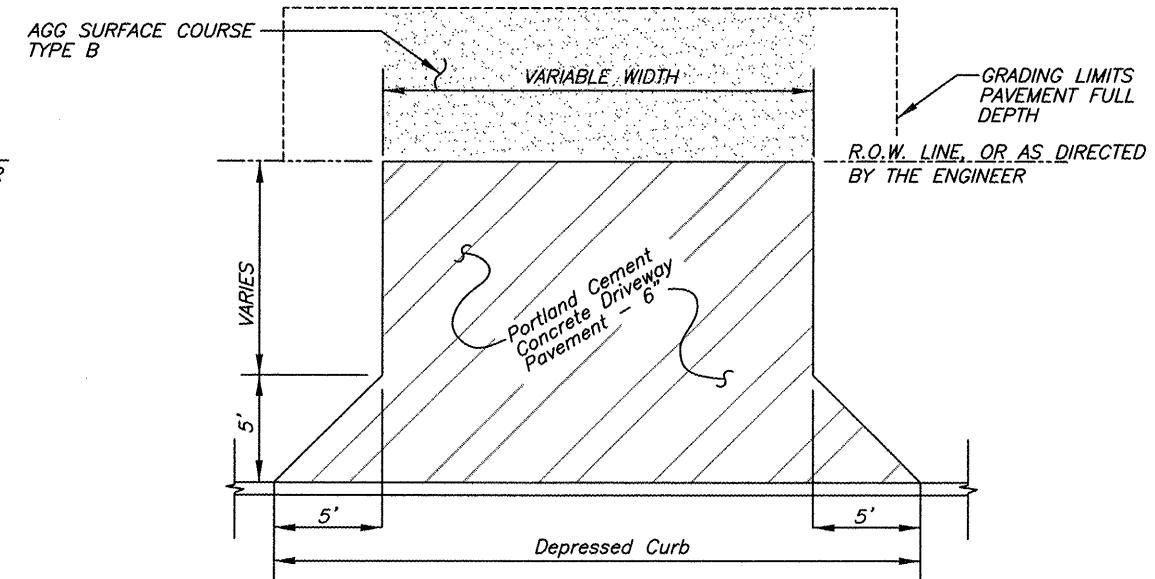
LEGEND

- EXISTING UTILITY POLE
- EXISTING CULVERT TO BE REMOVED
- ▶— PROPOSED STORM SEWER
- - - W - - - PROPOSED WATERMAIN
- W — EXISTING WATERMAIN
- ⊙ EXISTING HYDRANT
- — — CONSTRUCTION LIMITS
- × × — EXISTING FENCE
-) — EXISTING SANITARY SEWER
- EXISTING SANITARY SEWER MANHOLE
-) — PROPOSED SANITARY SEWER
- ⊗ EXISTING SANITARY SEWER MANHOLE
- ▭ EXISTING MAILBOX TO BE MOVED
- ▨ PROPOSED DEPRESSED CURB
- ▩ EXISTING SIDEWALK/DRIVEWAY PAVEMENT TO BE REMOVED
- ☀ EXISTING TREE TO REMAIN
- ☀ EXISTING TREE TO BE REMOVED



EXISTING PERMANENT PAVEMENT ENTRANCE DETAIL

NOT TO SCALE



EXISTING GRAVEL ENTRANCE DETAIL

NOT TO SCALE