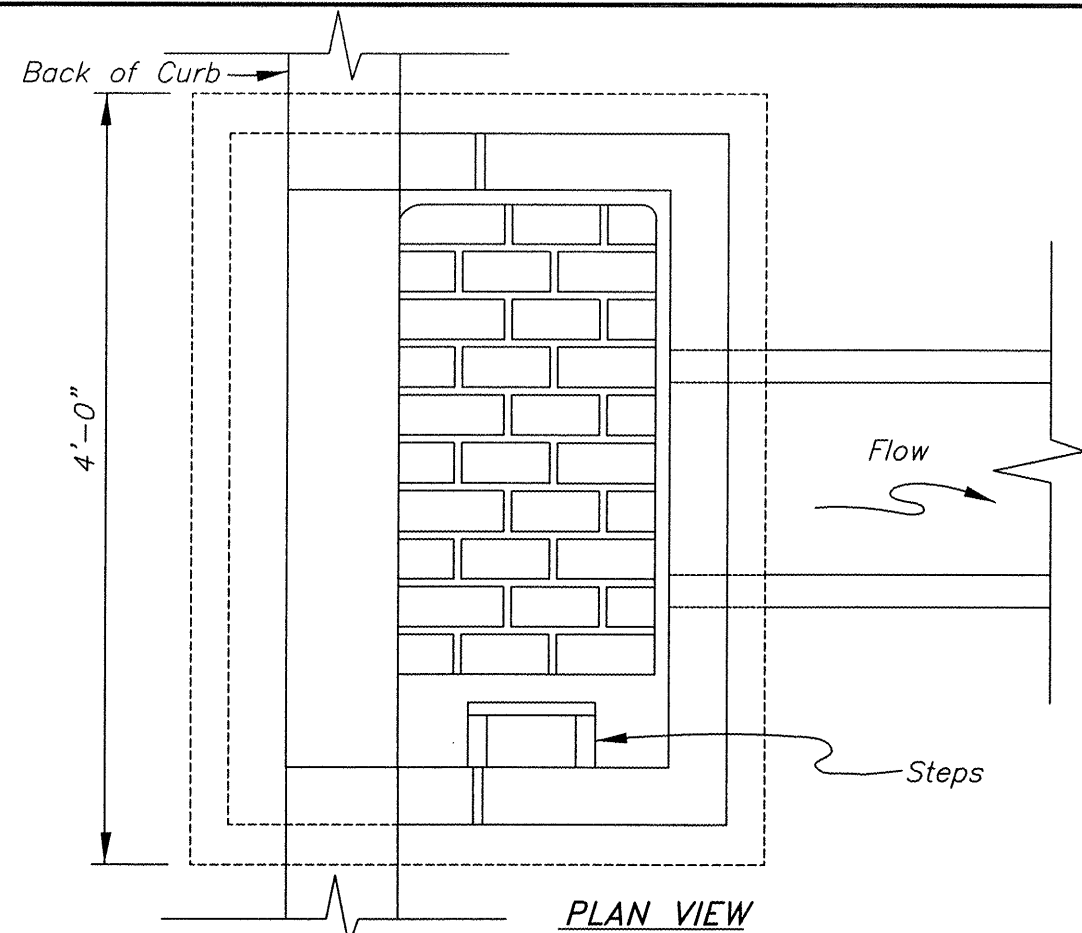
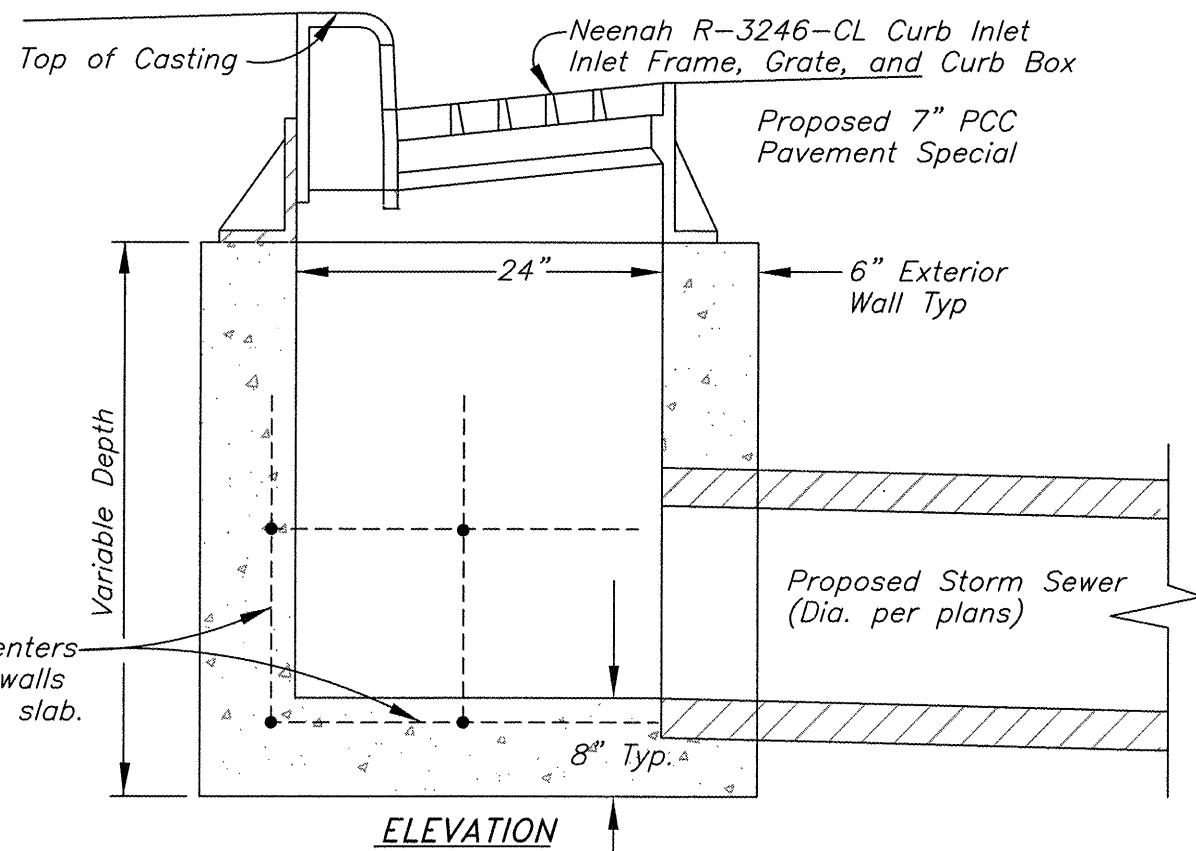


ROUTE	SECTION	COUNTY	TOTAL SHEETS	SHEET NO.
9557	05-00081-00-RP	SALINE	45	22
CITY OF HARRISBURG		GRANGER STREET		

CONTRACT NO. 99439

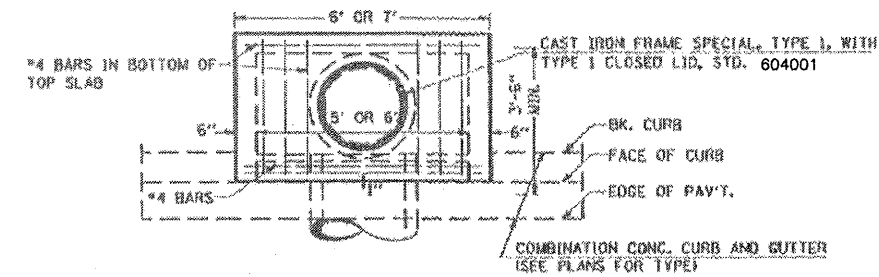


PLAN VIEW

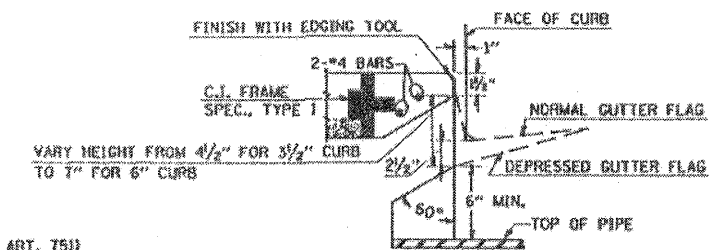


ELEVATION

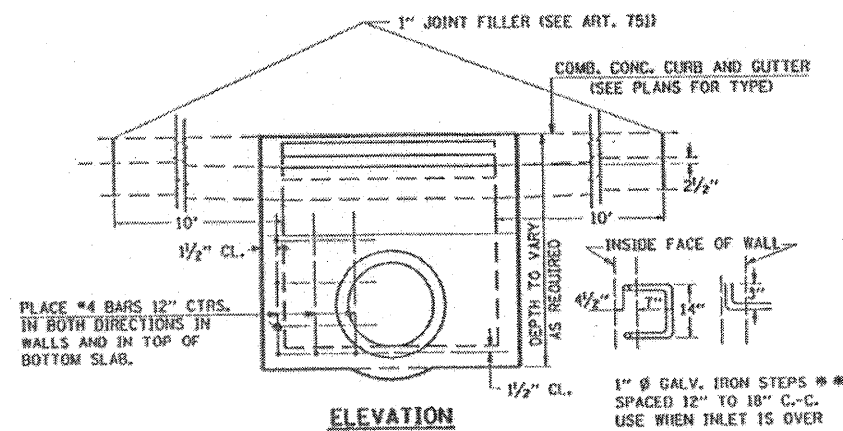
DETAIL - INLET TYPE A SPECIAL



PLAN



DETAIL AT WEIR



ELEVATION

DESIGN	PIPE DIA.	"D"
A	18" ALESS	2'-6"
B	21" x 24"	3'-0"
C	27" x 30"	3'-7"
D	33" x 36"	4'-2"
E	42"	4'-9"
F	48"	5'-0"
G	54"	6'-1"

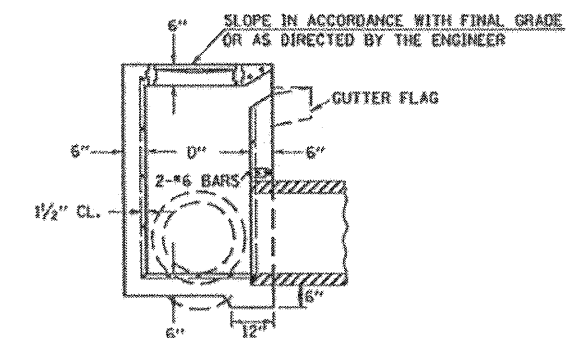
NOTES:

CLASS SJ CONCRETE SHALL BE USED THROUGHOUT. SET FACE OF INLET 1" BEHIND FACE OF CURB. DEPRESS GUTTER FLOWLINE AT INLET 2 1/2" BELOW NORMAL GUTTER FLOWLINE. CONSTRUCT TRANSITION IN FLOWLINE IN 10 FEET EACH SIDE OF INLET. PIPES TO BE CONNECTED TO INLET AS SHOWN ON STORM SEWER LAYOUT.

INLETS WILL BE PAID FOR AT THE CONTRACT UNIT PRICE EACH FOR INLET, SPECIAL, TYPE 3, 5 FEET OR INLET, SPECIAL, TYPE 3, 6 FEET WHICH PRICE SHALL INCLUDE THE CAST IRON FRAME, SPECIAL, TYPE 1 WITH TYPE 1 CLOSED LID, THE REINFORCEMENT BARS, METAL STEPS AND JOINT FILLER.

\*\*THE GALV. IRON STEPS AS DETAILED HEREON ARE TYPICAL. STEPS OF OTHER DESIGN AND MATERIAL THAT WILL CONFORM TO THE MINIMUM REQUIREMENTS OF THE STEPS SHOWN, MAY BE USED WHEN APPROVED BY THE ENGINEER.

INLETS MAY BE PRECAST WHEN APPROVED BY THE ENGINEER.



SECTION

DETAIL - INLETS, SPECIAL, NO. 1 AND INLETS, SPECIAL, NO. 2