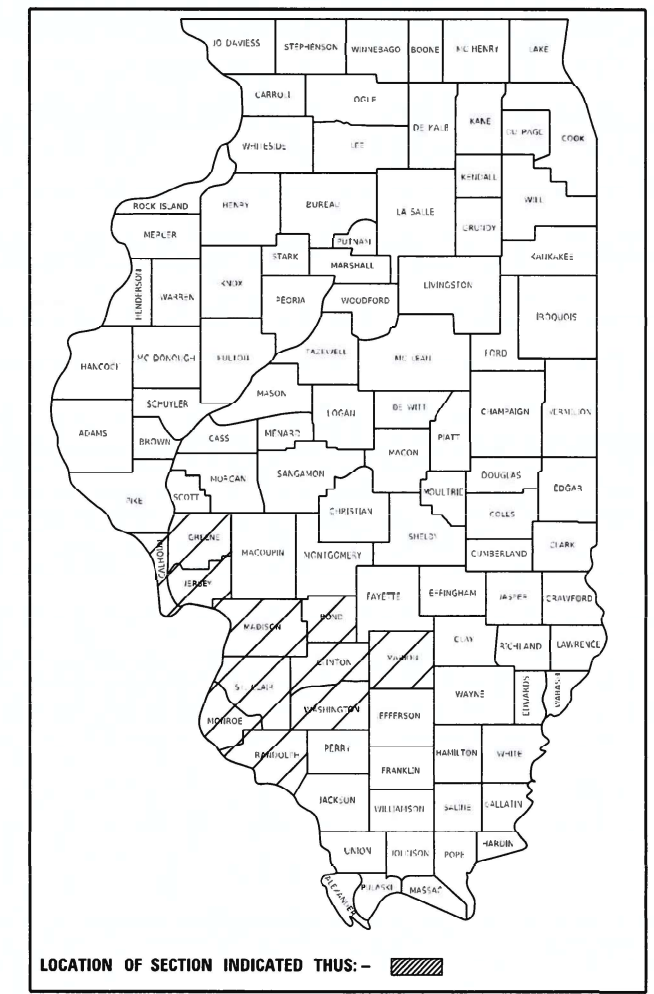


STATE OF ILLINOIS
DEPARTMENT OF TRANSPORTATION

F.A. RTE.	SECTION	COUNTY	TOTAL SHEETS	SHEET NO.
VAR	DIST 8 ITS 2023-1	VARIOUS	5	1
		ILLINOIS	CONTRACT NO. 76P95	

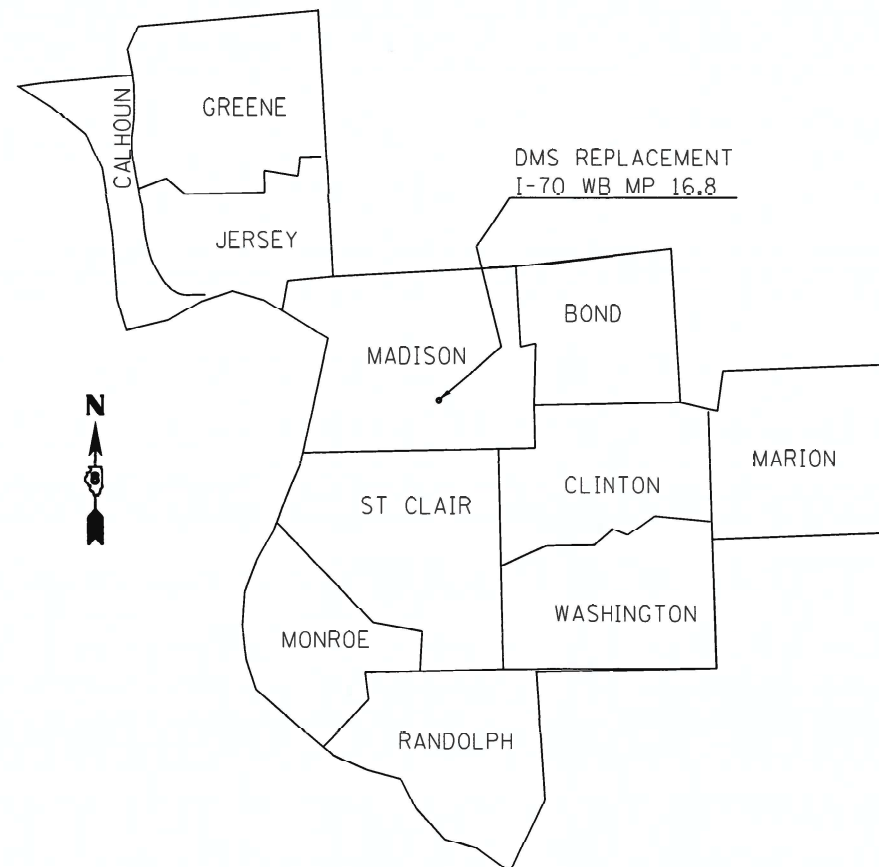
D-98-024-19



PROPOSED HIGHWAY PLANS

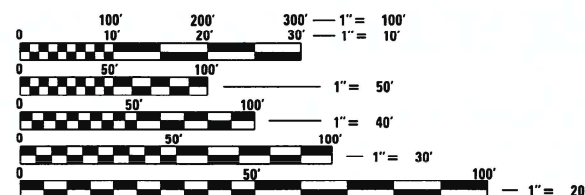
VARIOUS ROUTES
SECTION DIST 8 ITS 2023-1
MAINTAIN & SERVICE
ALL ITS EQUIPMENT AND DMS REPLACEMENT
VARIOUS COUNTIES

C-98-068-22



INDEX OF SHEETS:

- 1 - COVER SHEET
- 2 - SUMMARY OF QUANTITIES
- 3 - GENERAL NOTES/WORK ORDER FORM
- 4 - TYPE 334 CABINET DETAIL
- 5 - BUTTERFLY TRUSS MOUNTED LED DYNAMIC MESSAGE SIGN (DMS)



FULL SIZE PLANS HAVE BEEN PREPARED USING STANDARD ENGINEERING SCALES. REDUCED SIZED PLANS WILL NOT CONFORM TO STANDARD SCALES. IN MAKING MEASUREMENTS ON REDUCED PLANS, THE ABOVE SCALES MAY BE USED.

J.U.L.I.E.
JOINT UTILITY LOCATION INFORMATION FOR EXCAVATORS
1-800-892-0123
OR 811

PROJECT ENGINEER: CHERYL KEPLAR
PROJECT MANAGER: MICHAEL PRESTON

CONTRACT NO. 76P95

NOTE: WORK CAN BE LOCATED WITHIN ANY OF THE ABOVE NOTED COUNTIES WITHIN DISTRICT 8/REGION 5.

STATE OF ILLINOIS
DEPARTMENT OF TRANSPORTATION

SUBMITTED May 11 2022
K. H. B.
REGIONAL ENGINEER

July 1, 2022 *J. A. E.*
ENGINEER OF DESIGN AND ENVIRONMENT

July 1, 2022 *Stephen M. ...*
DIRECTOR OF HIGHWAYS PROJECT IMPLEMENTATION

PRINTED BY THE AUTHORITY
OF THE STATE OF ILLINOIS

CODE NO.	ITEM	UNIT	TOTAL QUANTITY	CONSTRUCTION CODE	
				0021 URBAN	DMS 0021 URBAN
70100800	TRAFFIC CONTROL AND PROTECTION, STANDARD 701401	L SUM	1		1
70100815	TRAFFIC CONTROL AND PROTECTION, STANDARD 701446	L SUM	1		1
70200100	NIGHT WORK ZONE LIGHT	L SUM	1		1
* X0327495	JOURNEYMAN ELECTRICIAN	HOUR	2100	2100	
* X0327496	APPRENTICE ELECTRICIAN	HOUR	250	250	
* X0327497	PICK-UP TRUCK	HOUR	1800	1800	
* X0327500	ARROWBOARD (TRAILER MOUNTED)	HOUR	100	100	
* X0327587	ITS EQUIPMENT CONTROL TECHNICIAN	HOUR	1500	1500	
* X0327983	ITS EQUIPMENT CONTROL TECHNICIAN REMOTE SUPPORT	HOUR	170	170	
* X0323917	CABINET MODEL 334	EACH	1		1
* X0325485	TRUSS MOUNTED LED DYNAMIC MESSAGE SIGN	EACH	1		1

* REQUIRES SPECIAL PROVISION

MODEL NUMBER
FILE NAME: .PLOT

USER NAME = \$USERS	DESIGNED -	REVISED -
	DRAWN -	REVISED -
PLOT SCALE = \$SCALE\$	CHECKED -	REVISED -
PLOT DATE = \$DATE\$	DATE -	REVISED -

**STATE OF ILLINOIS
DEPARTMENT OF TRANSPORTATION**

SUMMARY OF QUANTITIES			
SCALE:	SHEET	OF	SHEETS

F.A. RTE.	SECTION	COUNTY	TOTAL SHEETS	SHEET NO.
VAR	DIST 8 ITS 2023-1	VARIOUS	5	2
				CONTRACT NO. 76P95
				ILLINOIS FED. AID PROJECT

GENERAL NOTES

1. THE LOCATIONS OF THE REPAIR AREAS SHALL BE DETERMINED BY THE ENGINEER.
2. NO MATERIAL SHALL BE LEFT ON OR NEAR THE ROADWAY DURING NON-WORKING HOURS.
3. ANY NECESSARY TRAFFIC CONTROL WILL BE PROVIDED BY THE CONTRACTOR; APPROPRIATE STANDARDS ARE LISTED BELOW.
4. ILLINOIS STATE LAW REQUIRES A 48-HOUR NOTICE TO BE GIVEN TO UTILITIES BEFORE DIGGING. FIELD MARKING OF FACILITIES MAY BE OBTAINED BY CONTACTING J.U.L.I.E. (1-800 892-0123 OR 811) OR FOR NON-MEMBERS THE UTILITY COMPANY DIRECTLY.
5. A FLAGGER SHALL BE REQUIRED AT ALL TIMES WHEN WORKERS OR EQUIPMENT ARE ENCROACHING ON THE LANE OF TRAFFIC.
6. WHEN NO WORK IS BEING PERFORMED, THE FLAGGERS WILL NOT BE REQUIRED. IF THE FLAGGERS ARE NOT PRESENT, THE FLAGGER SIGNS SHALL BE REMOVED OR COVERED.
7. ALL EXCAVATION ADJACENT TO THE EDGE OF PAVEMENT SHALL BE PROTECTED WITH THE EXTENDED LEG BARRICADES AND THE APPROPRIATE LIGHTS.
8. 45 & 55 MPH SIGNS ARE INCLUDED IN ALL INTERSTATE LANE CLOSURES. IF THE LANE CLOSURE DURATION IS LESS THAN 4 HOURS, THE 45 & 55 MPH SIGNS ARE NOT REQUIRED.
9. ANY WORK ORDER MAY BE CANCELLED AT THE ENGINEER'S DISCRETION.
10. NO OVERNIGHT LANE CLOSURES WILL BE ALLOWED. EXCEPT FOR THE REPLACEMENT OF THE DMS. (SEE SPECIAL PROVISIONS)
11. THE PROPOSED CABINET SHALL BE INSTALLED AT THE SAME LOCATION AS THE EXISTING CABINET, ON THE EXISTING FOUNDATION, AS DIRECTED BY THE ENGINEER.

HIGHWAY STANDARDS

000001-08	701401-13	701451-05
001006	701406-13	701456-05
701001-02	701421-08	701601-09
701006-05	701422-10	701606-10
701106-02	701428-01	701701-10
701206-05	701446-11	701901-08
701301-04		
701400-11		



Work Order ITS 1

Requested By: _____ **Date:** _____ **Time:** _____

Assigned To: _____ **Received From:** _____

Estimated Cost: _____

Location: _____

Problem:

Ref/Accident #: _____ **Claim #:** _____

Remarks:

Completed By: _____ **Date/Time Completed:** _____

REV. - MS

MODEL: Default
FILE NAME: s:\illinois\pw\benitez.com\PROJECTS\DOT Documents\11DOT Office\District 8\Projects\0876535\CDData\Elect.cad\0876535-etc.dgn

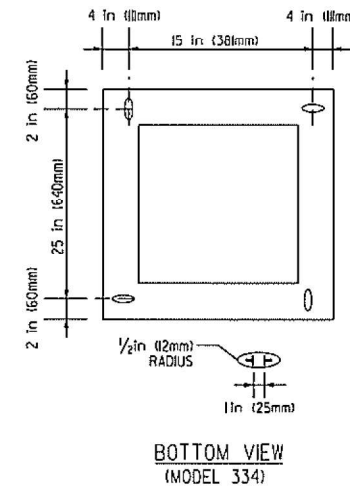
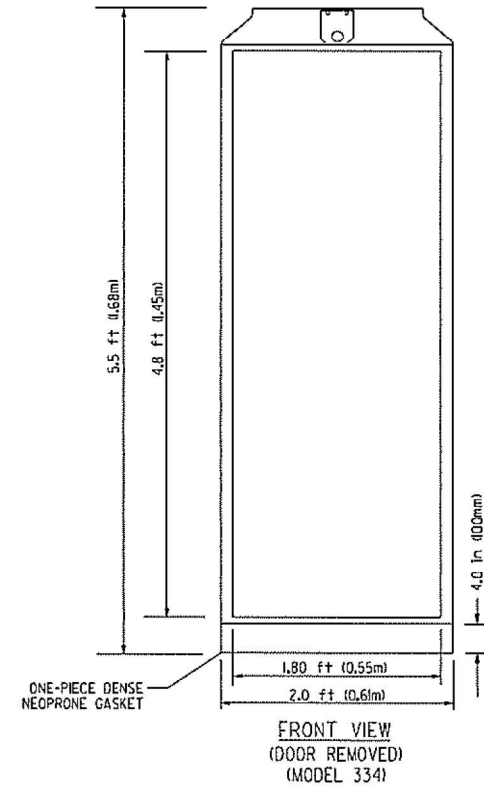
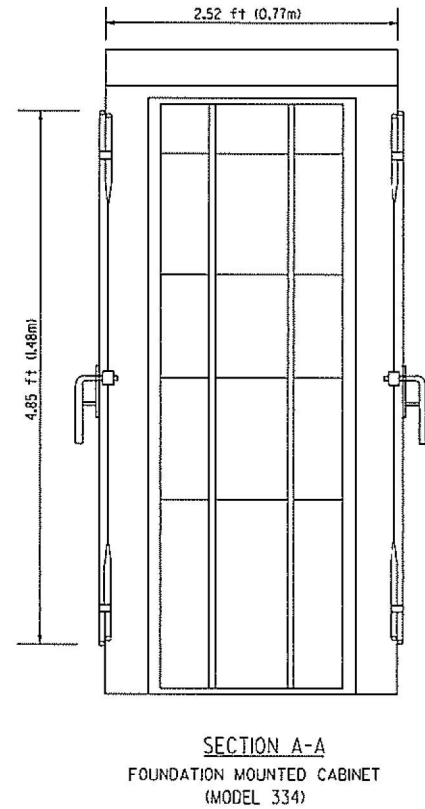
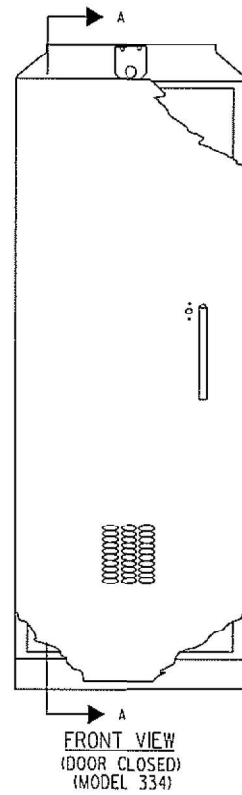
USER NAME = prestonme	DESIGNED -	REVISED -
	DRAWN -	REVISED -
PLOT SCALE = 100.0000' / in.	CHECKED -	REVISED -
PLOT DATE = 6/24/2022	DATE -	REVISED -

**STATE OF ILLINOIS
DEPARTMENT OF TRANSPORTATION**

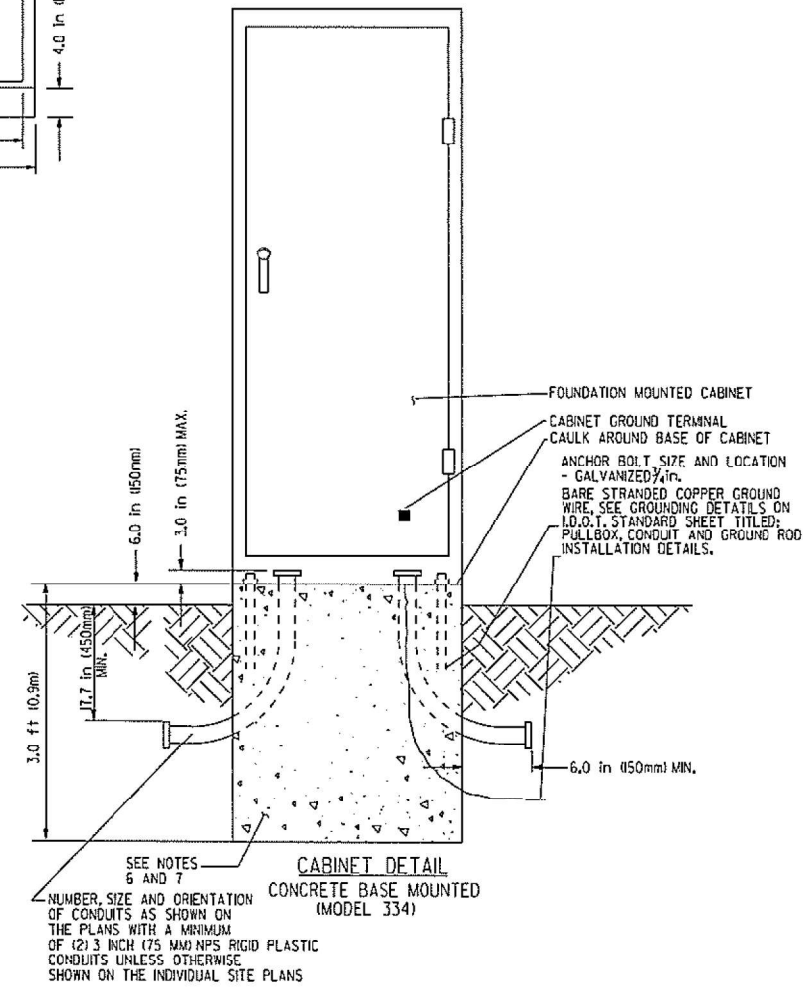
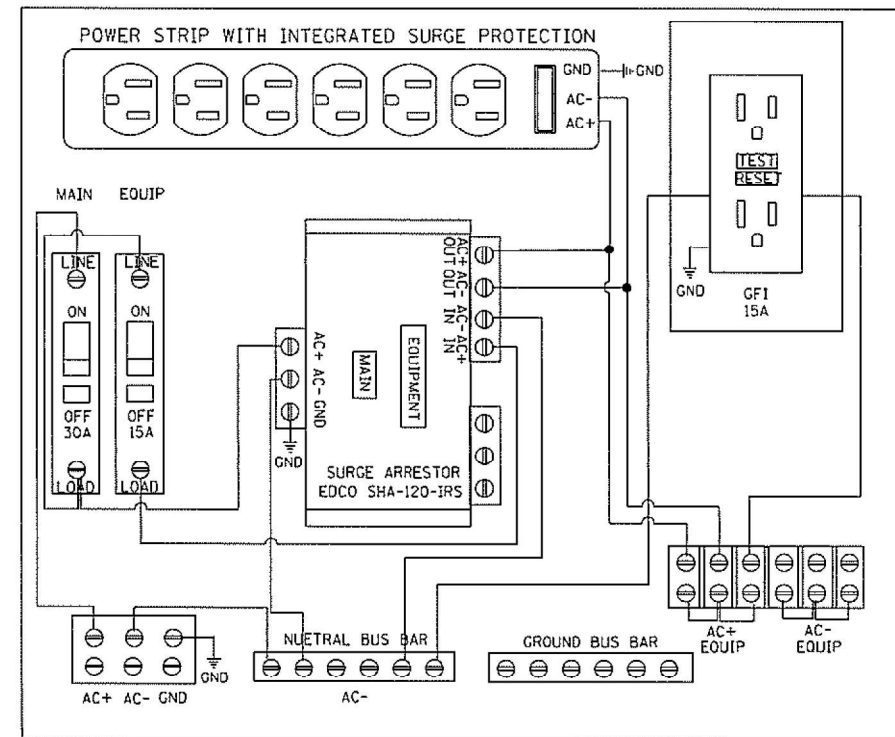
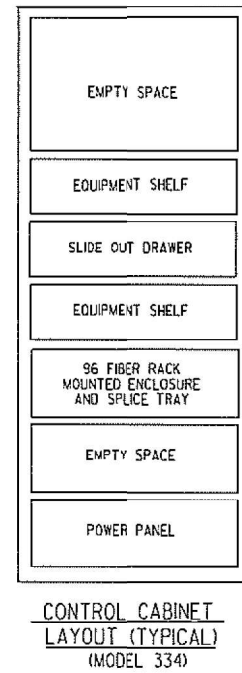
**GENERAL NOTES/
TYPICAL WORK ORDER FORMS**

SCALE: _____ SHEET OF SHEETS STA. _____ TO STA. _____

F.A. RTE.	SECTION	COUNTY	TOTAL SHEETS	SHEET NO.
VAR	DIST 8 ITS 2023-1	VARIOUS	5	3
CONTRACT NO. 76P95			ILLINOIS FED. AID PROJECT	



- NOTES (MODEL 334 CABINET):**
- REFER TO SPECIAL PROVISIONS FOR CABINET DETAILS AND ADDITIONAL REQUIREMENTS.
 - CABINET ENTRIES INCLUDE VERTICAL ARRANGEMENT FOR MAJOR EQUIPMENT ITEMS ONLY.
 - THERE WILL BE ADDITIONAL ITEMS INSTALLED IN THE CABINET ON SIDE AND BACK PANELS AS PER THE SPECIAL PROVISIONS.
 - PROVIDE ALL UNUSED SPACE AT BOTTOM OF CABINET.
 - THE CONTRACTOR SHALL INSTALL INSULATED BUSHINGS AND DUCT SEALANT AT ALL CONDUIT BEND TERMINATIONS IN FOUNDATIONS.
 - CONCRETE BASE TO BE FORMED AT LEAST 6.0 in (150mm) BELOW THE GROUND SURFACE.
 - CONCRETE BASE MUST BE CAST IN PLACE.
 - THE CABINET SHALL BE EQUIPPED WITH A THERMOSTATICALLY CONTROLLER VENTILATION FAN, DELUXE PLEATED FILTER, POWER PANEL, 96 FIBER RACK MOUNTED ENCLOSURE WITH SPLICE TRAYS, 19" MOUNTING RAILS, EQUIPMENT SHELF, AND SLIDE OUT DRAWER WITH STORAGE.
 - ALL WORK INDICATED SHALL BE PAID FOR UNDER ITEM CABINET, MODEL 334 EXCLUSIVE OF THE CONCRETE FOUNDATION.



TYPE 334 CABINET POWER PANEL DETAIL
(POWER PANEL TO BE EQUIPPED WITH PLEXI-GLASS SAFETY SHIELD)

MODEL NUMBER/NAME
FILE NAME: SHEETS

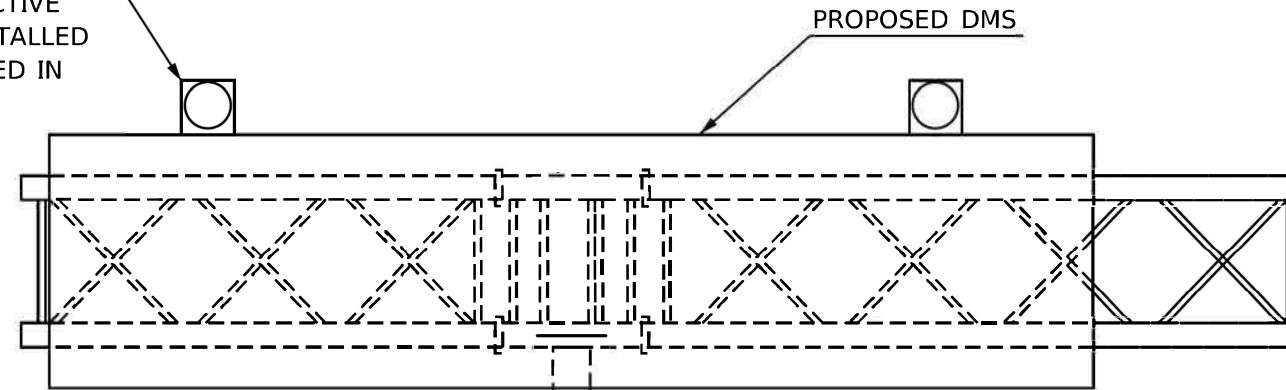
USER NAME = \$USERS	DESIGNED -	REVISED -
PLOT SCALE = \$SCALES	DRAWN -	REVISED -
PLOT DATE = \$DATES	CHECKED -	REVISED -
	DATE -	REVISED -

STATE OF ILLINOIS
DEPARTMENT OF TRANSPORTATION

TYPE 334 CABINET DETAIL				
SCALE:	SHEET	OF	SHEETS	STA. TO STA.

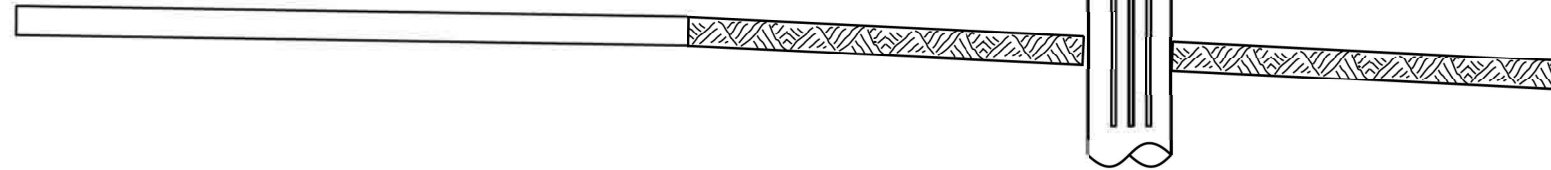
F.A. RTE.	SECTION	COUNTY	TOTAL SHEETS	SHEET NO.
VAR	DIST 8 ITS 2023-1	VARIOUS	5	4
CONTRACT NO. 76P95				
ILLINOIS FED. AID PROJECT				

12" DIA. YELLOW LED FLASHING BEACONS (TYP.)
WITH TUNNEL VISOR AND RETROREFLECTIVE
BACKPLATE TO BE FURNISHED AND INSTALLED
BY DMS SIGN MANUFACTURER (INCLUDED IN
THE COST OF DMS SIGN)

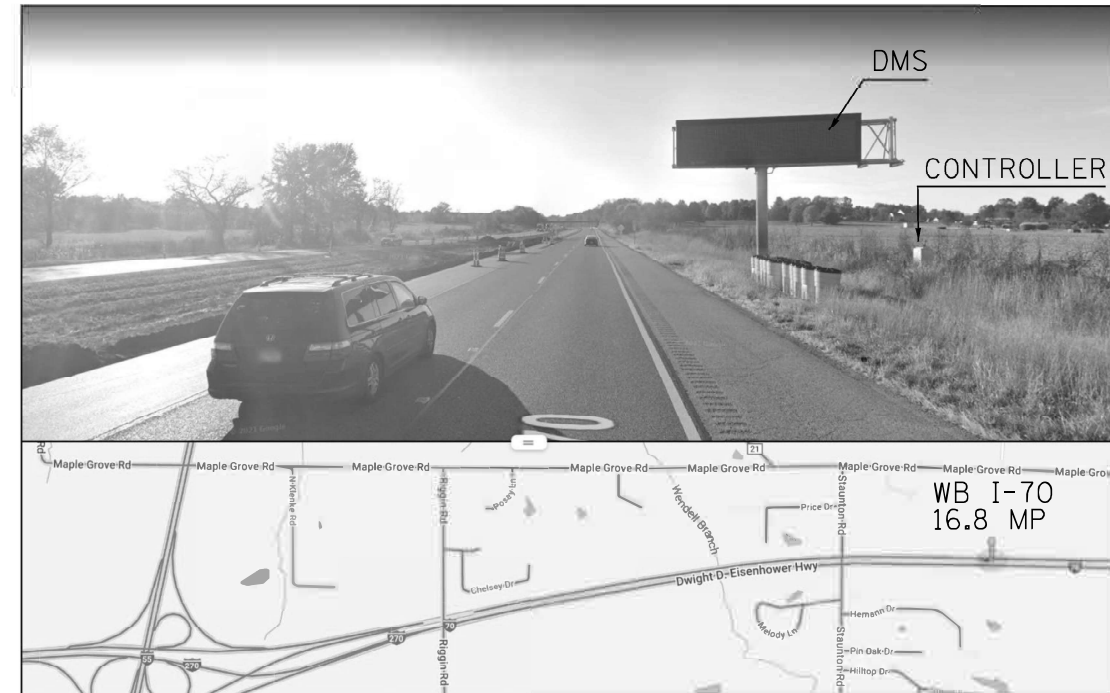


CONTRACTOR TO REMOVE EXISTING DMS
AND DISPOSE OF OFFSITE

CONTRACTOR TO INSTALL PROPOSED DMS
ON EXISTING SIGN STRUCTURE



ELEVATION



NOTES:

1. THE CONTRACTOR SHALL SUBMIT COMPLETE ELECTRICAL DESIGN DETAILS AND CALCULATIONS SEALED BY AN ILLINOIS LICENSED ELECTRICAL AND STRUCTURAL ENGINEER TO THE RESIDENT ENGINEER FOR REVIEW AND APPROVAL PRIOR TO THE ORDERING OF ANY MATERIALS.
2. THE TRUSS EXTENSION FOR MOUNTING WALKWAY SHALL BE LOCATED ON THE SIDE FURTHEST FROM THE INTERSTATE (AS SHOWN IN THE PLANS) AND VERIFIED BY THE ENGINEER OF TRAFFIC PRIOR TO CONSTRUCTION.

BUTTERFLY SIGN STRUCTURES (TYP.)

NOT TO SCALE

MODEL: MODELNAME\$
FILE: NAME\$.DWT

USER NAME = \$USERS\$	DESIGNED -	REVISED -
	DRAWN -	REVISED -
PLOT SCALE = \$SCALE\$	CHECKED -	REVISED -
PLOT DATE = \$DATES\$	DATE -	REVISED -

STATE OF ILLINOIS
DEPARTMENT OF TRANSPORTATION

BUTTERFLY TRUSS MOUNTED LED DYNAMIC MESSAGE SIGN (DMS)
WB I-70 MP 16.8

SCALE: SHEET OF SHEETS STA. TO STA.

F.A. RTE.	SECTION	COUNTY	TOTAL SHEETS	SHEET NO.
VAR	DIST 8 ITS 2023-1	VARIOUS	5	5
			CONTRACT NO. 76P95	
ILLINOIS FED. AID PROJECT				