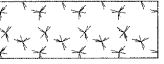

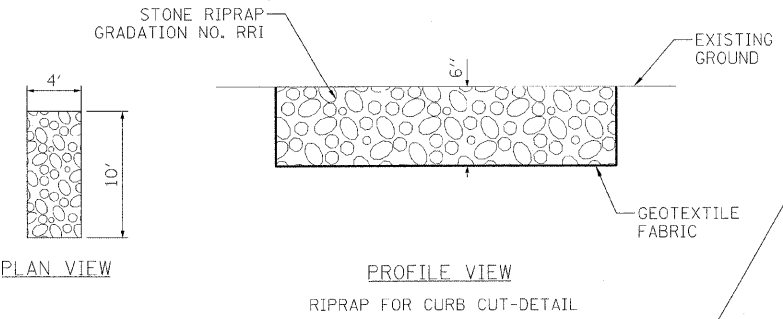
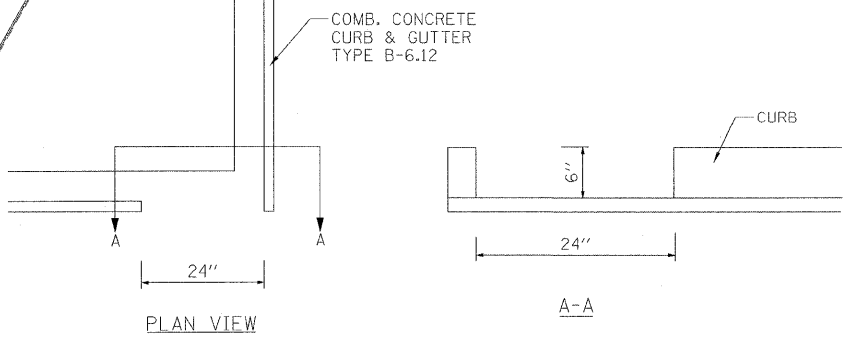


- LEGEND:**
-  MULCH METHOD 1
 -  PERIMETER EROSION BARRIER

- NOTE:**
1. RIPRAP AND GEOTEXTILE FABRIC SHALL MEET THE REQUIREMENTS OF SECTIONS 281 AND 282 OF IDOT STANDARD SPECIFICATIONS.
 2. CURB CUT WILL NOT BE PAID FOR SEPARATELY BUT SHALL BE INCLUDED IN THE CONTRACT UNIT PRICE FOR COMB. CONC. C&G TYPE B-6.12.



PB Americas, Inc.
 230 WEST MONROE STREET,
 SUITE 900
 CHICAGO, IL. 60606

USER NAME = #USER#	DESIGNED - DM	REVISED -
FILE NAME = #FILENAME#	DRAWN - MS	REVISED -
PLOT SCALE = #SCALE#	CHECKED - DS	REVISED -
PLOT DATE = 5/7/2009	DATE - 5/08/09	REVISED -

**STATE OF ILLINOIS
 DEPARTMENT OF TRANSPORTATION**

**CONGRESS PARKWAY OVER SOUTH BRANCH OF THE CHICAGO RIVER
 GENERATOR ACCESS DRIVE -
 DRAINAGE & EROSION CONTROL PLAN**

SCALE: 1" = 20' SHEET NO. 58 OF 83 SHEETS STA. 377+01.00 TO STA. 382+45.28

F.A.P. RTE.	SECTION	COUNTY	TOTAL SHEETS	SHEET NO.
389	2424-2B-R	COOK	398	58
CONTRACT NO. 60D61				
FED. ROAD DIST. NO. 1 ILLINOIS FED. AID PROJECT				