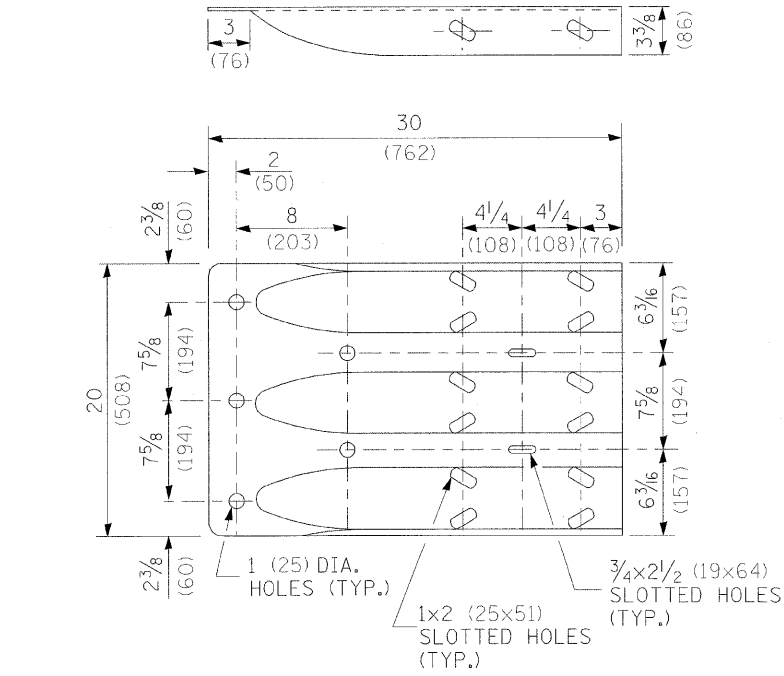
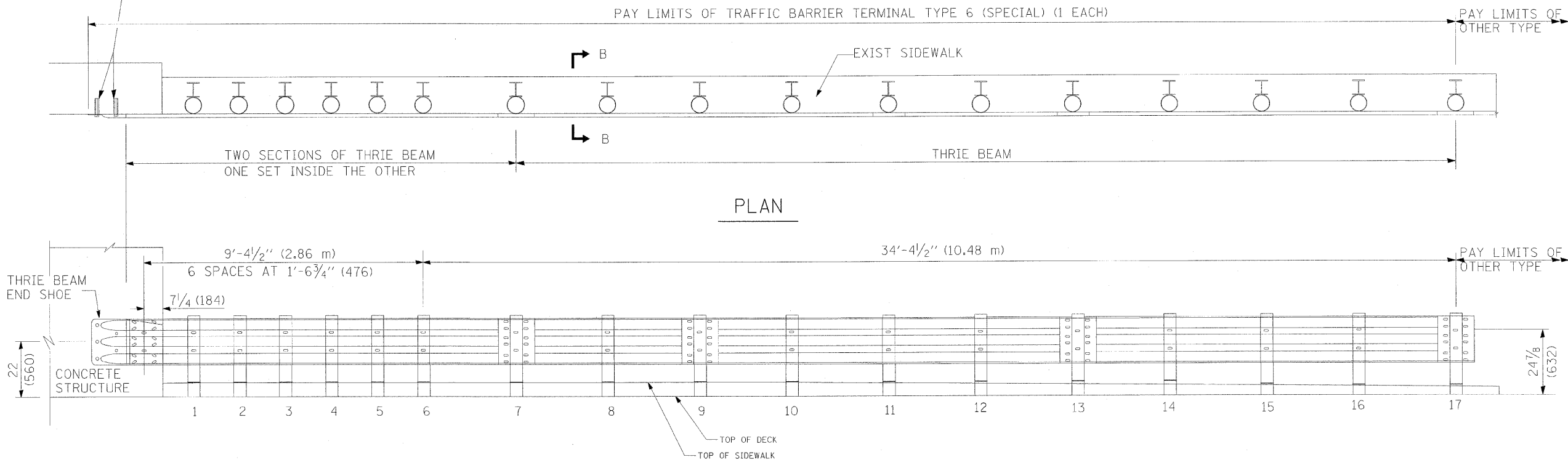
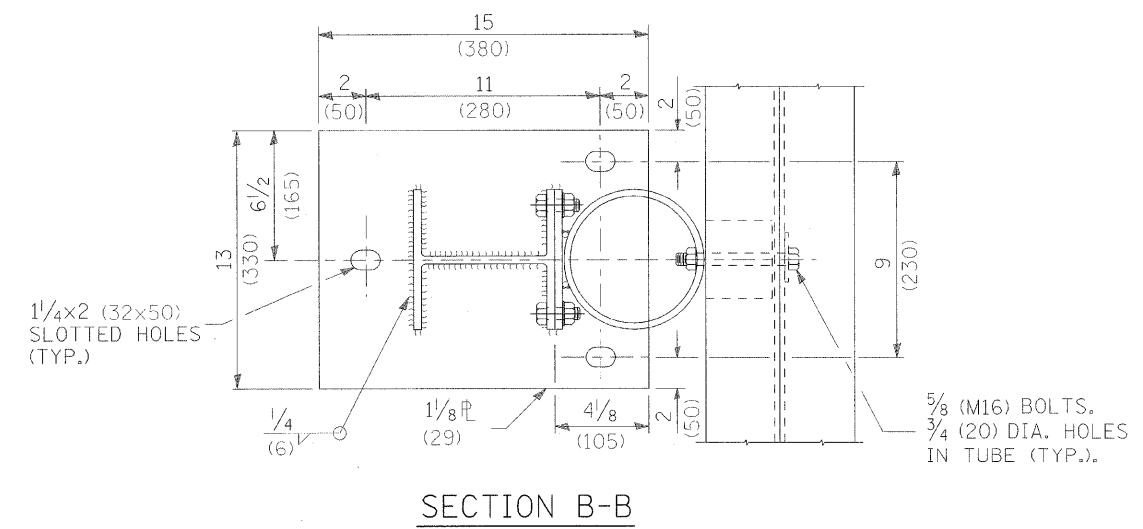


5 EPOXY GROUTED 3/4 (M20) ANCHOR BOLTS WITH STANDARD WASHERS. AFTER TIGHTENING, CUT THE ANCHOR BOLTS FLUSH WITH THE NUTS, AND DAMAGE THE NUTS TO PREVENT THEM FROM LOOSENING.



THRIE BEAM END SHOE DETAIL



SECTION B-B

PB Americas, Inc. 230 WEST MONROE STREET, SUITE 900 CHICAGO, IL. 60606	USER NAME = #USER#	DESIGNED - DM	REVISED -	STATE OF ILLINOIS DEPARTMENT OF TRANSPORTATION	CONGRESS PARKWAY OVER SOUTH BRANCH OF THE CHICAGO RIVER		F.A.P. R.T.E.	SECTION	COUNTY	TOTAL SHEETS	SHEET NO.
	FILE NAME = #FILENAME#	DRAWN - MS	REVISED -		389	2424-2B-R	COOK	398	63		
	PLOT SCALE = #SCALE#	CHECKED - DS	REVISED -		CONTRACT NO. 60D61						
	PLOT DATE = 5/6/2009	DATE - 5/08/09	REVISED -		SCALE: NONE	SHEET NO. 63 OF 83 SHEETS	STA. 377+01.00 TO STA. 382+45.28	FED. ROAD DIST. NO. 1 ILLINOIS FED. AID PROJECT			