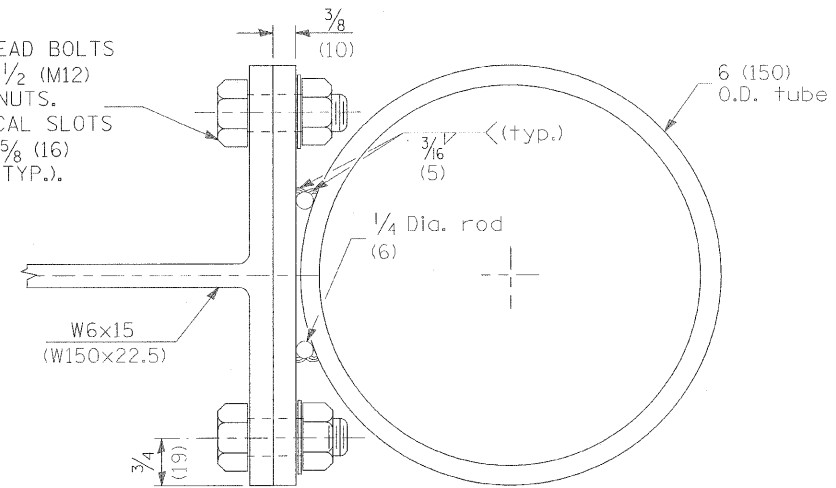


POST

12  
1/4  
\* SLOPE CUT BOTTOM OF POST TO SLOPE

1/2x1/4 (M12x32) HEX HEAD BOLTS WITH HEX NUTS AND 1/2 (M12) FLAT WASHER UNDER NUTS. 5/8x1/2 (16x38) VERTICAL SLOTS IN 3/8 (10) PLATE AND 5/8 (16) DIA. HOLES IN POST (TYP.).



TUBE TO POST ATTACHMENT

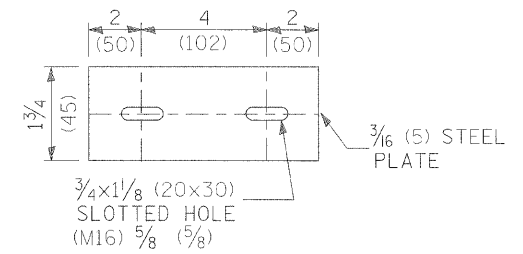


PLATE WASHER B

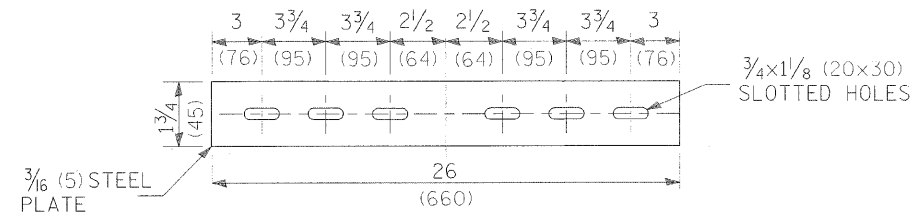


PLATE WASHER C

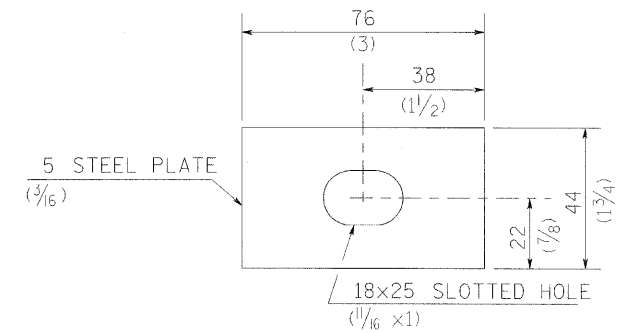


PLATE WASHER F

**PB Americas, Inc.**  
230 WEST MONROE STREET,  
SUITE 900  
CHICAGO, IL. 60606

|                        |                |           |
|------------------------|----------------|-----------|
| USER NAME = #USER#     | DESIGNED - DM  | REVISED - |
| FILE NAME = #FILENAME# | DRAWN - MS     | REVISED - |
| PLOT SCALE = #SCALE#   | CHECKED - DS   | REVISED - |
| PLOT DATE = 5/6/2009   | DATE - 5/08/09 | REVISED - |

**STATE OF ILLINOIS  
DEPARTMENT OF TRANSPORTATION**

**CONGRESS PARKWAY OVER SOUTH BRANCH OF THE CHICAGO RIVER  
TRAFFIC BARRIER TERMINAL, TYPE 6 (SPECIAL) SHEET 2 OF 2**  
SCALE: NONE SHEET NO. 64 OF 83 SHEETS STA. 377+01.00 TO STA. 382+45.28

|   |                   |             |                  |              |
|---|-------------------|-------------|------------------|--------------|
| F.A.P. RTE. 389                                 | SECTION 2424-2B-R | COUNTY COOK | TOTAL SHEETS 398 | SHEET NO. 64 |
| CONTRACT NO. 60D61                              |                   |             |                  |              |
| FED. ROAD DIST. NO. 1 ILLINOIS FED. AID PROJECT |                   |             |                  |              |