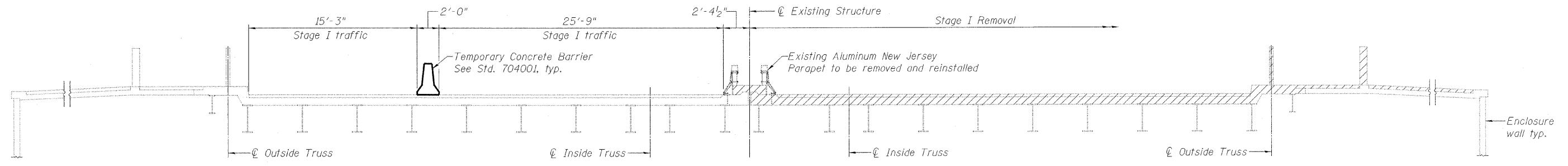
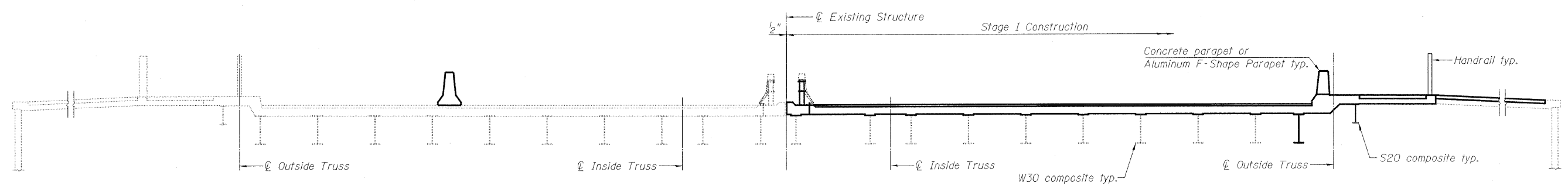


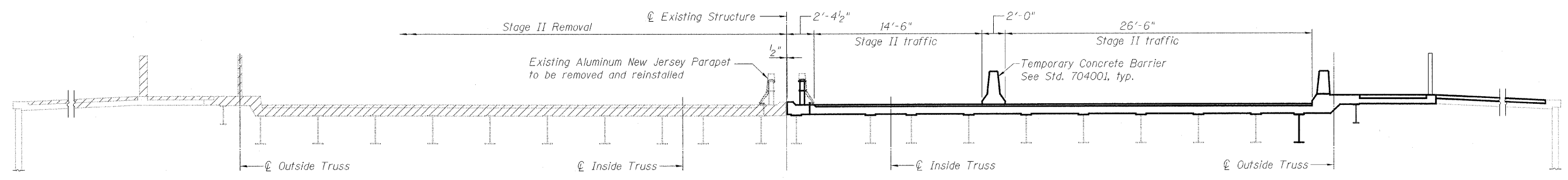
STATE OF ILLINOIS
DEPARTMENT OF TRANSPORTATION



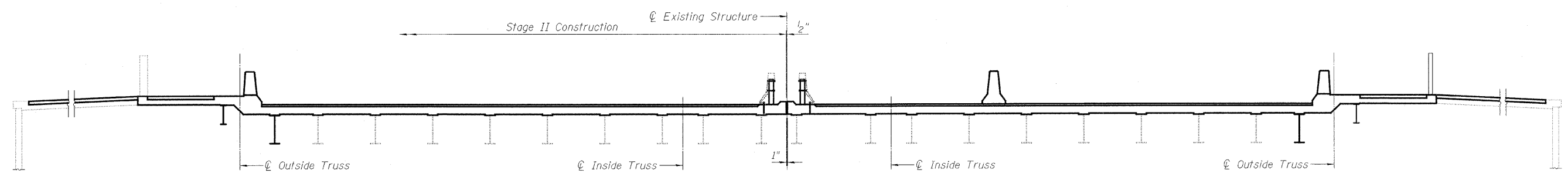
STAGE I REMOVAL



STAGE I CONSTRUCTION



STAGE II REMOVAL



STAGE II CONSTRUCTION

(West fixed span shown, East fixed span similar)

Notes:

- All staging cross sections are looking East.
- For quantity of Temporary Concrete Barrier, see roadway plans.
- Hatched area indicates Removal of Existing Structures.
- All existing stringers in the fixed span are non-composite and some will be made composite with new reinforced concrete deck.
- Existing roadway stringers beyond anchor columns to remain and are not shown for clarity.
- Existing sidewalk and enclosure framing to remain and are not shown for clarity.

DESIGNED	A. HAMMAD
CHECKED	J. GRAINAWI
DRAWN	D. C. PATEL
CHECKED	A. HAMMAD

**STAGE CONSTRUCTION DETAILS
STRUCTURE NO. 016-2445**

PB Americas, Inc.
230 WEST MONROE STREET,
SUITE 900
CHICAGO, IL. 60606

SHEET NO. 6 163 SHEETS	F.A.P RTE.	SECTION	COUNTY	TOTAL SHEETS	SHEET NO.
	389	2424.2B-R	COOK	398	87
CONTRACT NO. 60D61					
FED. ROAD DIST. NO. 7 ILLINOIS FED. AID PROJECT					