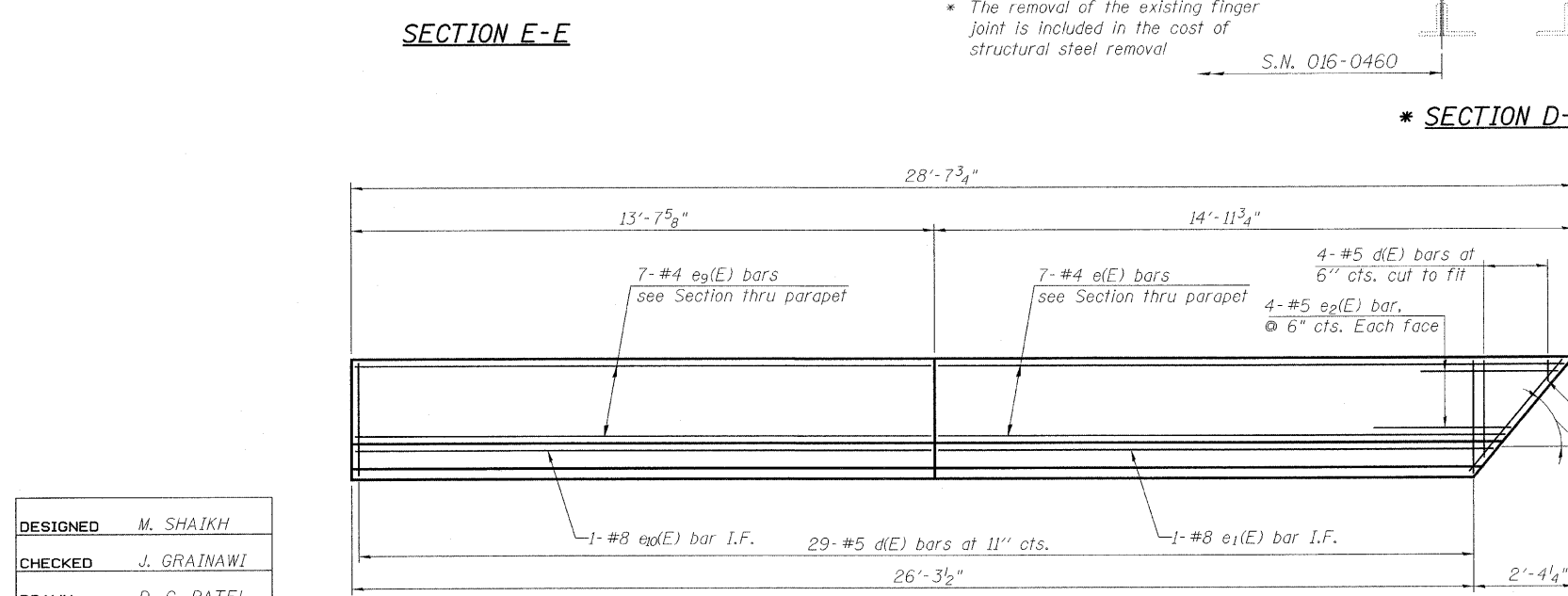
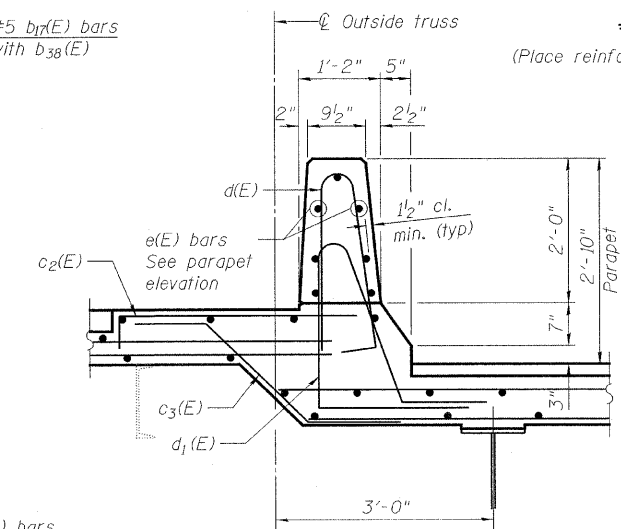
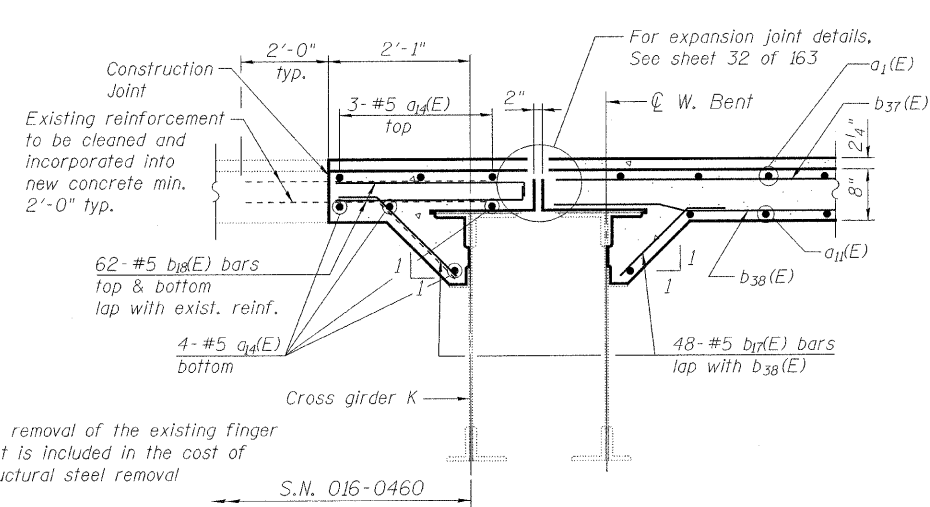
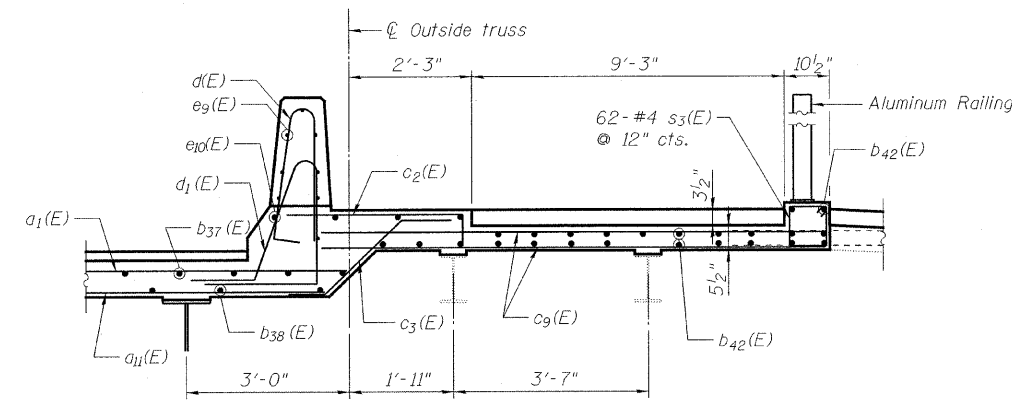
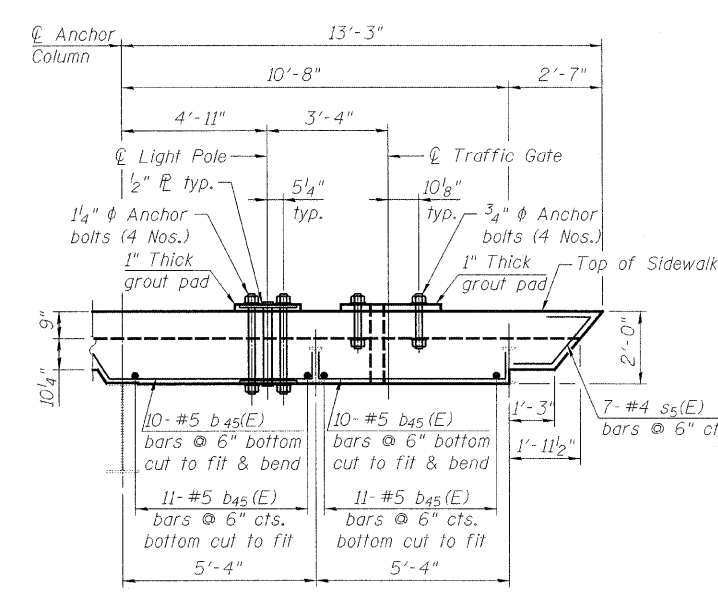
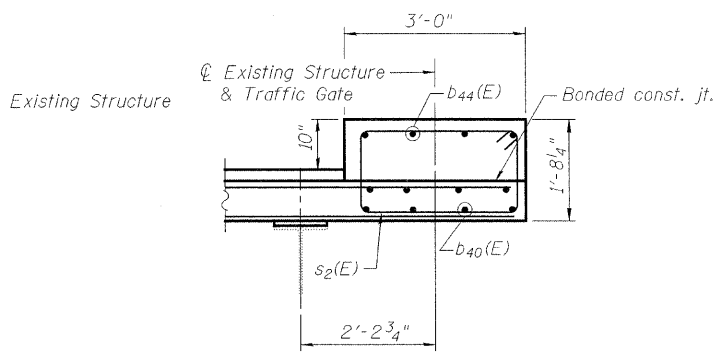
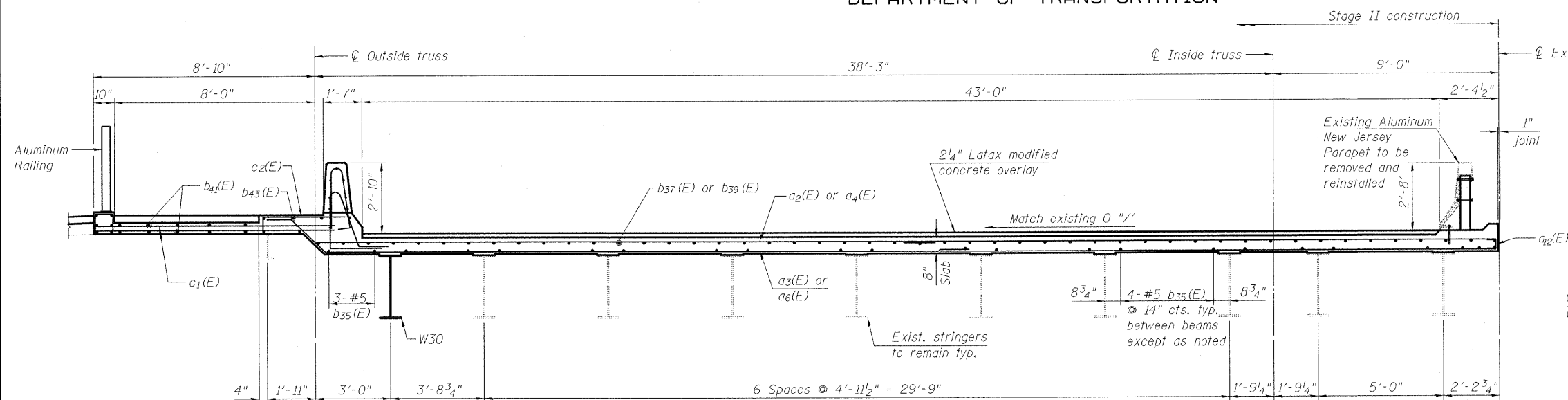


STATE OF ILLINOIS
DEPARTMENT OF TRANSPORTATION



* The removal of the existing finger joint is included in the cost of structural steel removal

** SECTION J-J
(Place reinforcement to miss anchor bolts & opening)

** Coordinate location of traffic gate, light pole, anchor bolts, conduit & base plate sizes with Mech. & Rdwy. lighting dwgs. Cost of anchor bolts and base plates is included in the cost of traffic gate and light pole.

LEGEND
--- Existing Member to Remain
— New Member

Note:
See sheet 24 of 163 for parapet joint details.

SUPERSTRUCTURE
NORTHWEST FIXED SPANS
STRUCTURE NO. 016-2445

DESIGNED	M. SHAIKH
CHECKED	J. GRAINAWI
DRAWN	D. C. PATEL
CHECKED	A. HAMMAD

PB Americas, Inc.
230 WEST MONROE STREET,
SUITE 900
CHICAGO, IL. 60606

SHEET NO. 26 163 SHEETS	F.A.P RTE.	SECTION	COUNTY	TOTAL SHEETS	SHEET NO.
	389	2424.2B-R	COOK	398	107
FED. ROAD DIST. NO. 7 ILLINOIS			FED. AID PROJECT		
				CONTRACT NO. 60D61	

T:\16843A1\Structural\Cadd\Pre-final\EB_Plans\0162445-60D61-026-SUP.dgn 05-JUN-2009 10:01