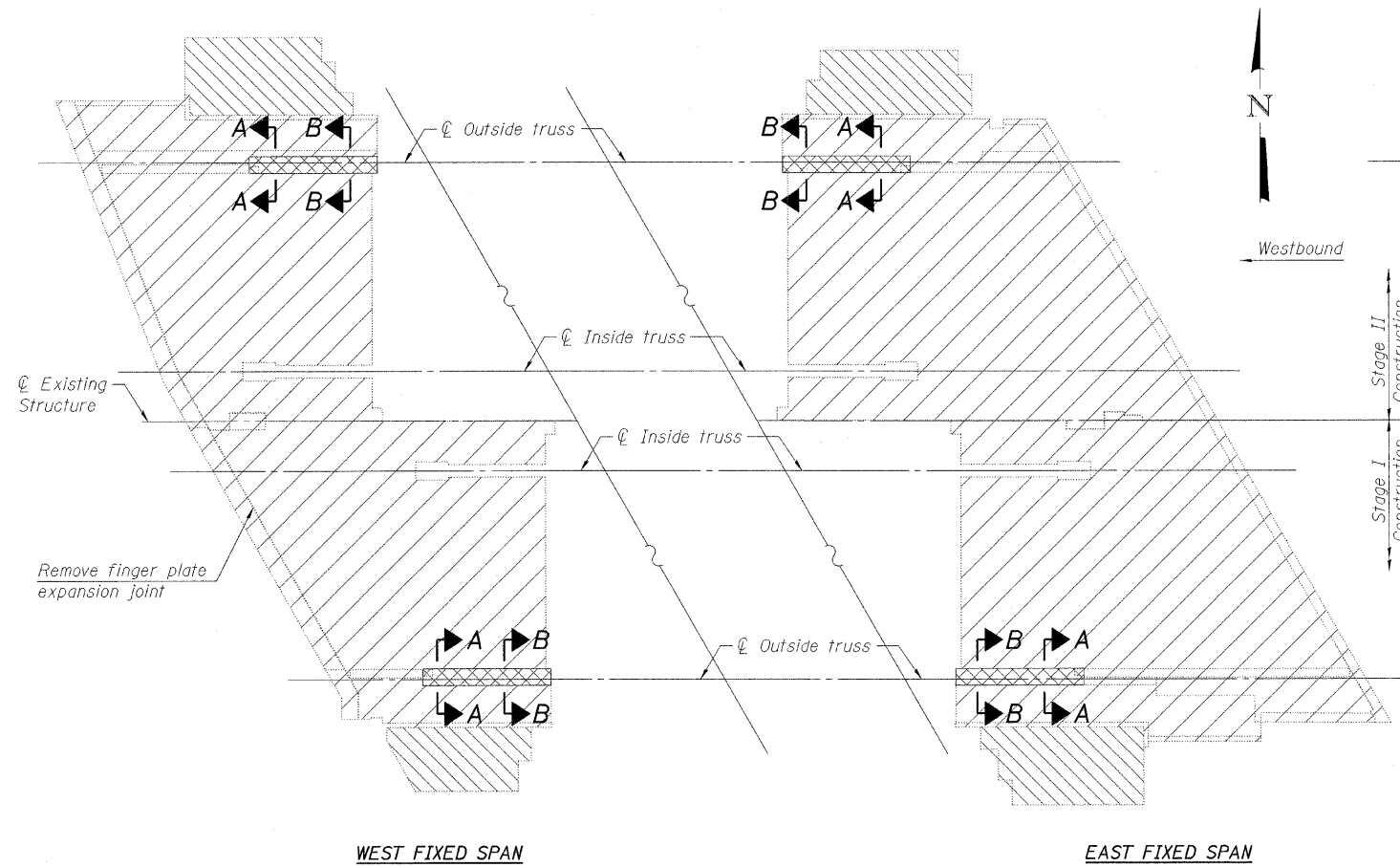
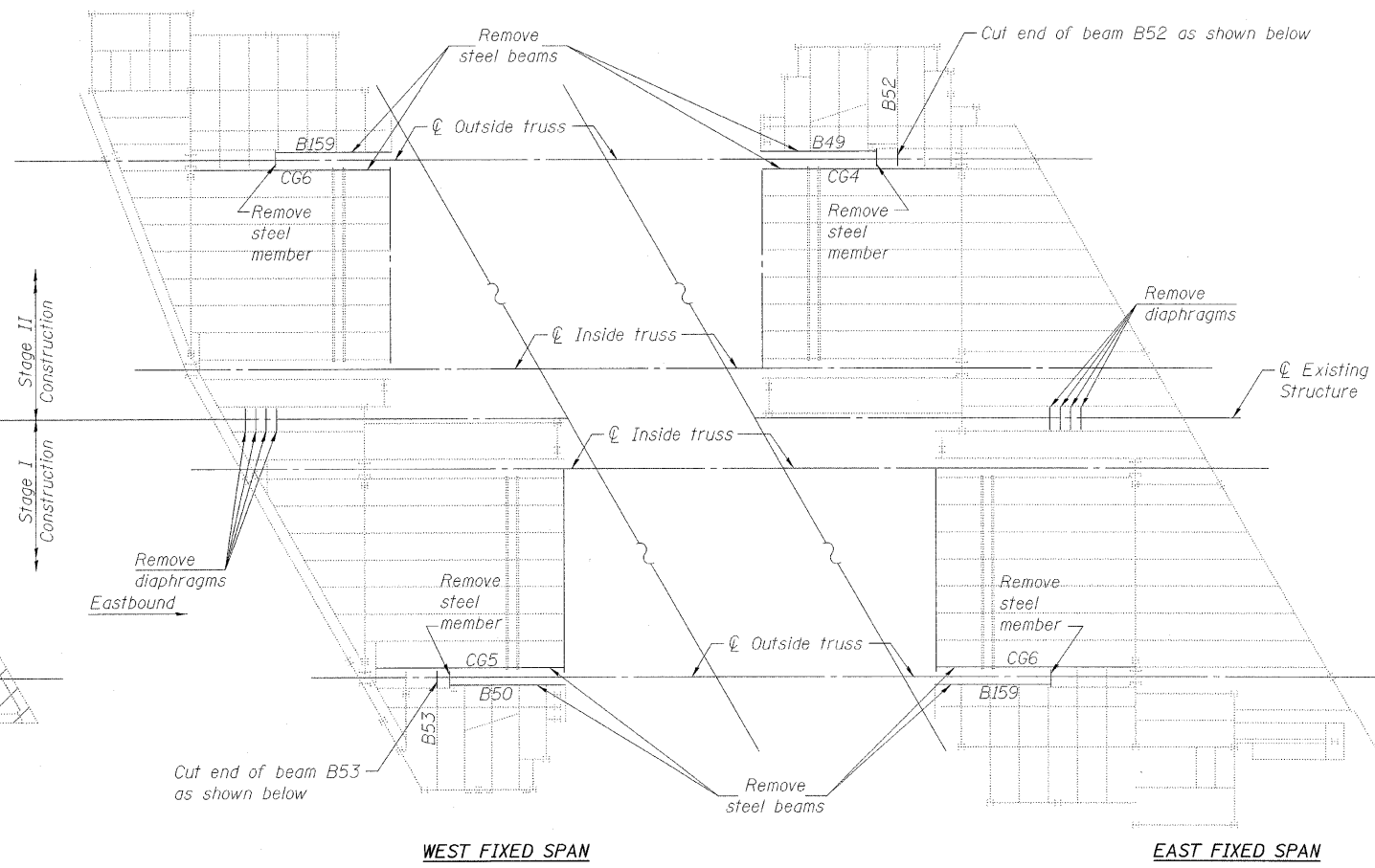


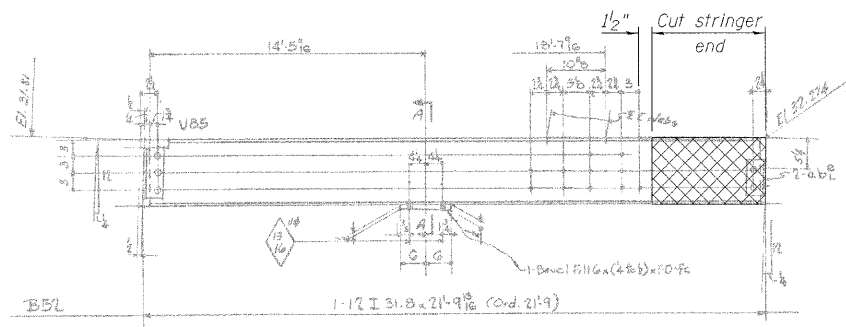
STATE OF ILLINOIS
DEPARTMENT OF TRANSPORTATION



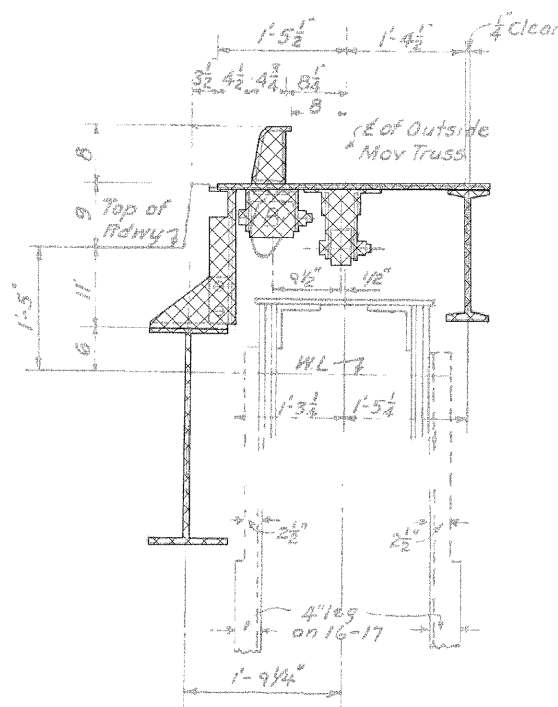
EXISTING PLAN



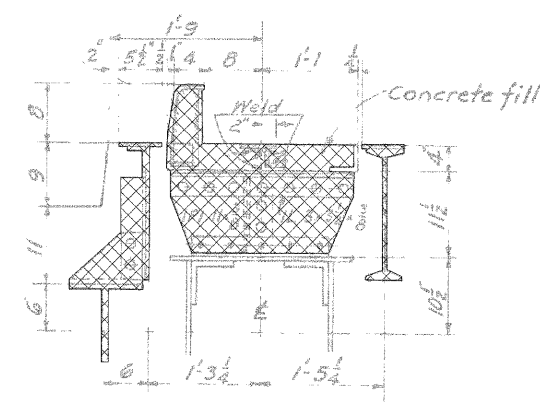
EXISTING FRAMING PLAN



B52 NORTHEAST & B53 SOUTHWEST



SECTION A-A



SECTION B-B

LEGEND

DESIGNED	A. HAMMAD
CHECKED	J. GRAINAWI
DRAWN	D. C. PATEL
CHECKED	A. HAMMAD

- Concrete Deck Removal
- 3/2" Concrete Overlay Removal
- Structural Steel Removal

REMOVAL DETAILS
FIXED SPANS
STRUCTURE NO. 016-2445

SHEET NO. 33 163 SHEETS	F.A.P. RTE.	SECTION	COUNTY	TOTAL SHEETS	SHEET NO.
	389	2424.2B-R	COOK	398	114
			CONTRACT NO. 60D61		
FED. ROAD DIST. NO. 7 ILLINOIS FED. AID PROJECT					

PB Americas, Inc.
230 WEST MONROE STREET,
SUITE 900
CHICAGO, IL. 60606