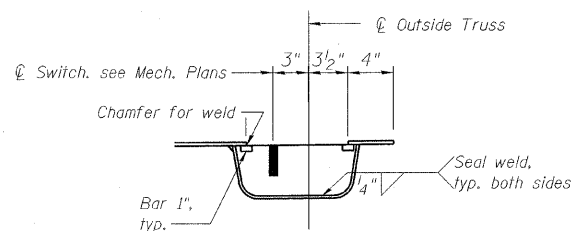
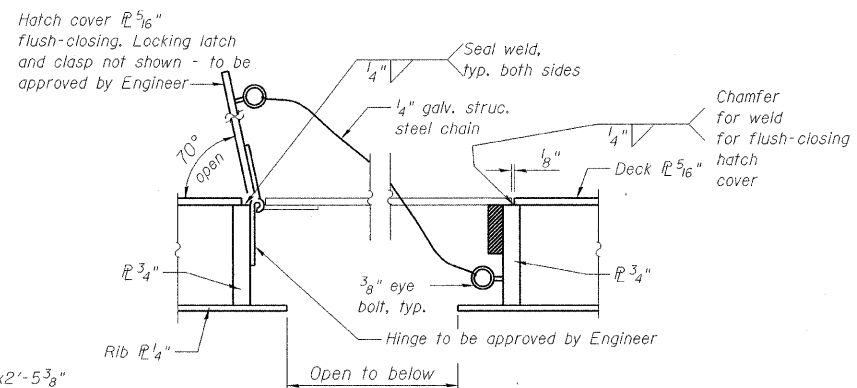
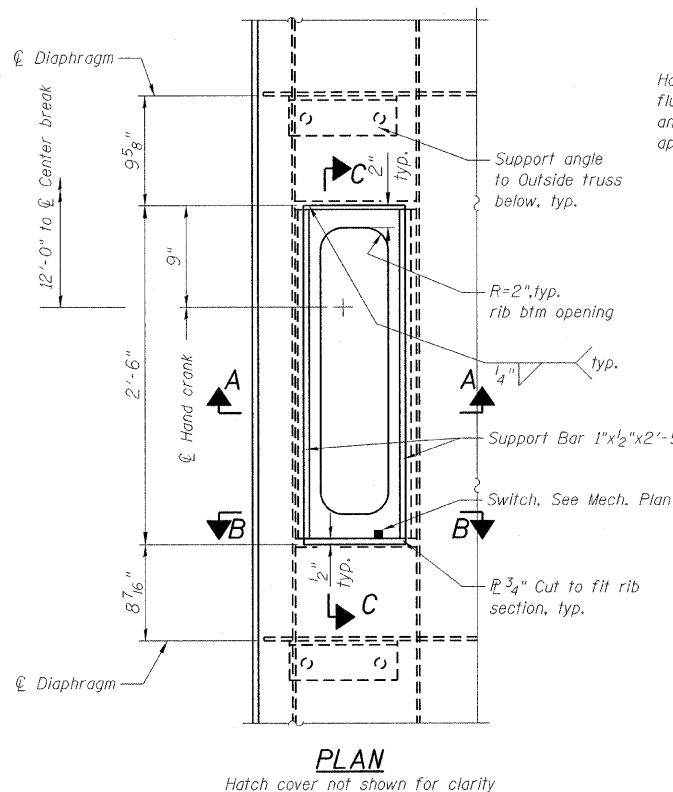
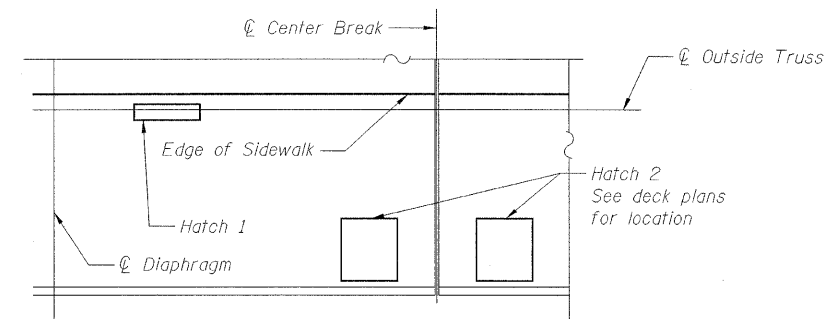
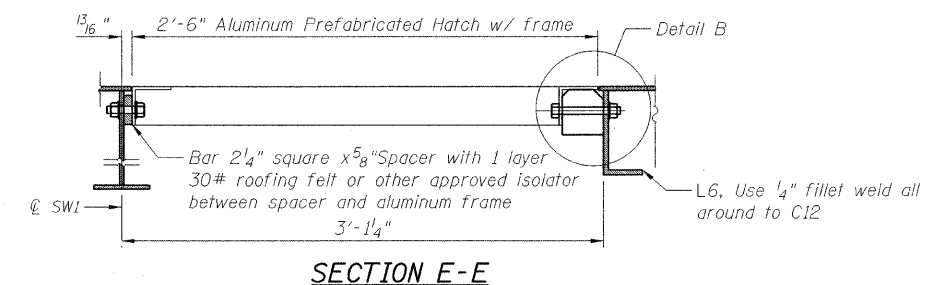
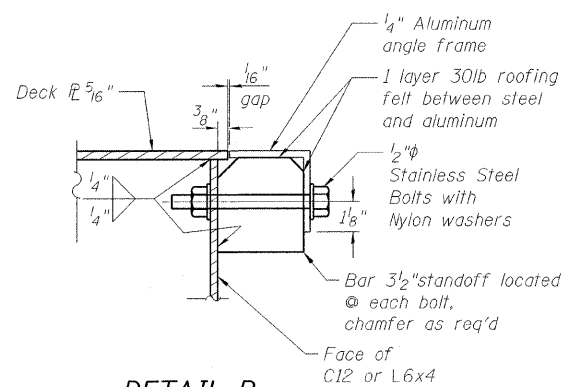
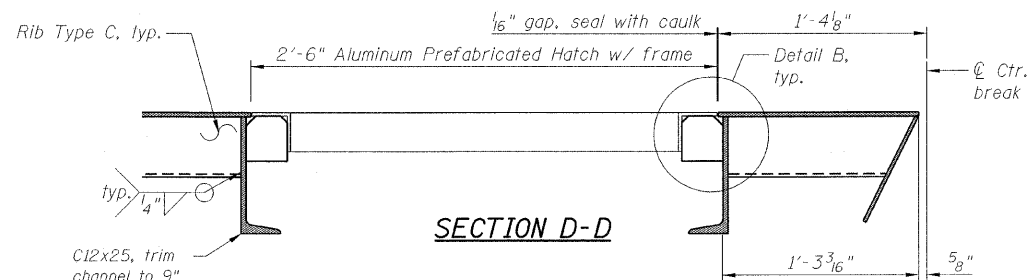
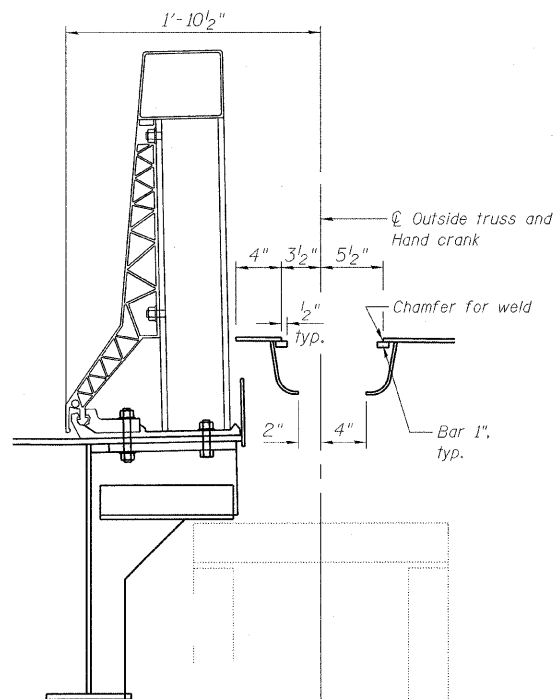
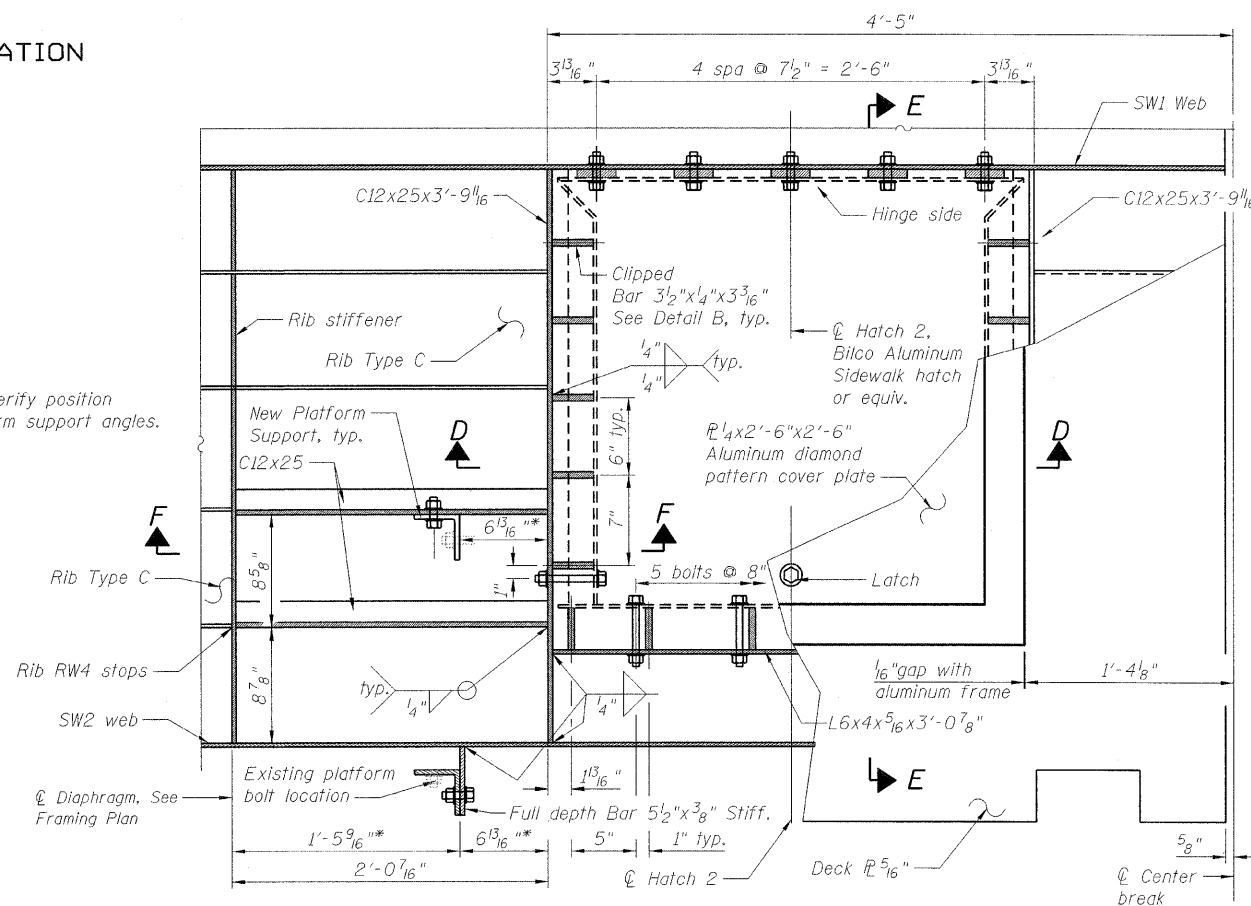


STATE OF ILLINOIS  
DEPARTMENT OF TRANSPORTATION



\* Field verify position of platform support angles.



**KEYPLAN**

EB movable span sidewalk shown  
WB movable span sidewalk by 180° rotation

**SUPERSTRUCTURE  
MOVABLE SPAN  
STRUCTURE NO. 016-2445**

DESIGNED	P. PILARSKI
CHECKED	J. GRAINAWI
DRAWN	D. C. PATEL
CHECKED	A. HAMMAD

Notes:  
Use 30 lbs. roofing felt or other material isolator as approved between all steel and aluminum.  
Caulk 1/16" gaps with sealant.

**PB Americas, Inc.**  
230 WEST MONROE STREET,  
SUITE 900  
CHICAGO, IL. 60606

SHEET NO. 55	F.A.P. RTE.	SECTION	COUNTY	TOTAL SHEETS	SHEET NO.
	389	2424.2B-R	COOK	398	136
163 SHEETS			CONTRACT NO. 60D61		
FED. ROAD DIST. NO. 7 ILLINOIS FED. AID PROJECT					