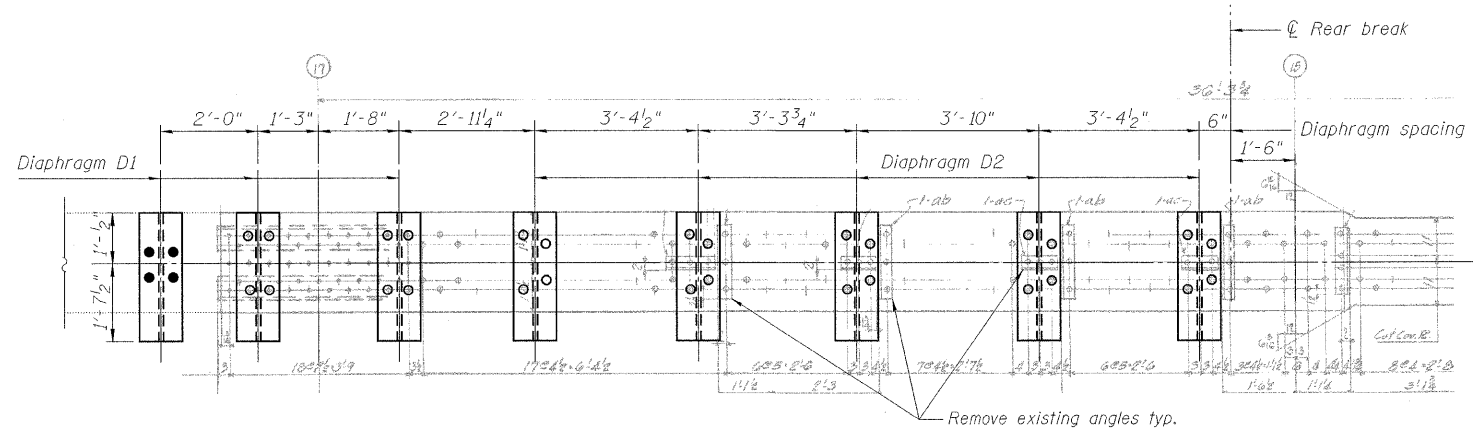
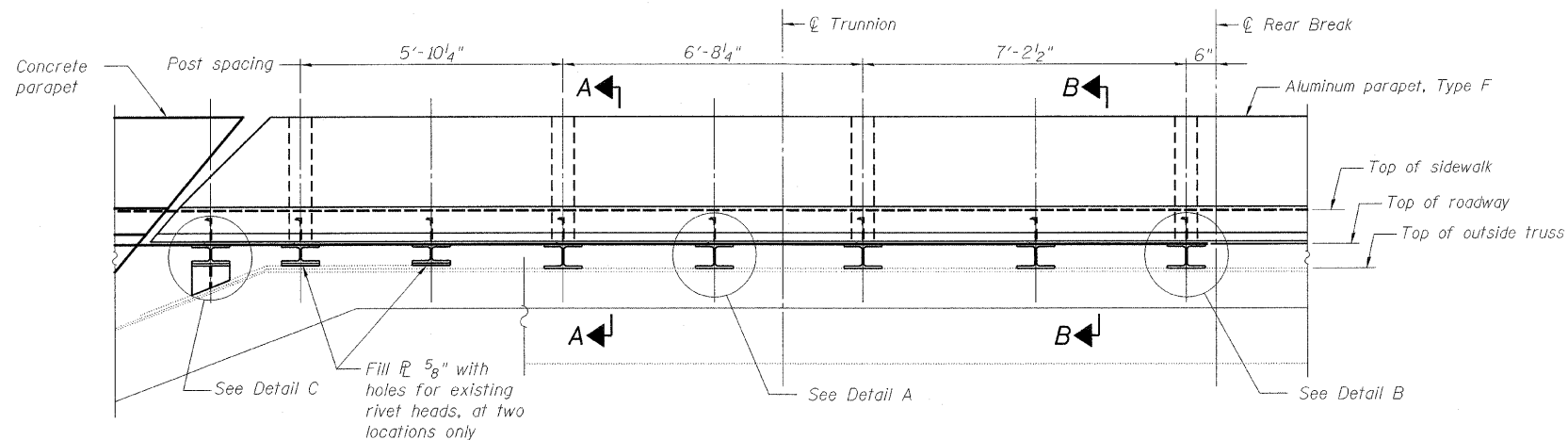


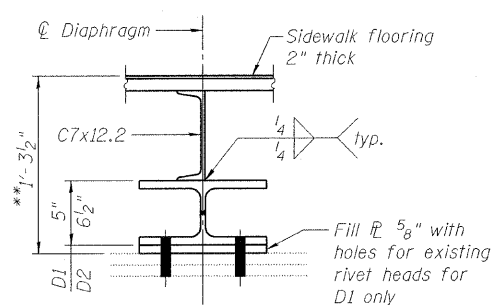
STATE OF ILLINOIS
DEPARTMENT OF TRANSPORTATION



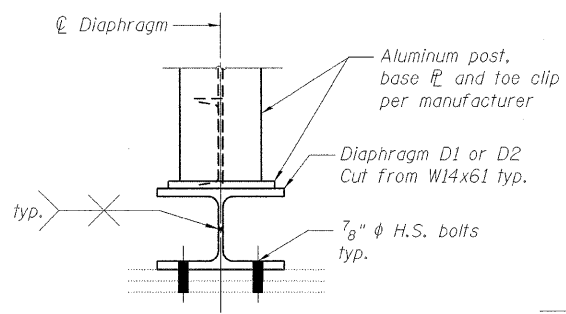
PLAN
(Outside Truss Rear Arm)



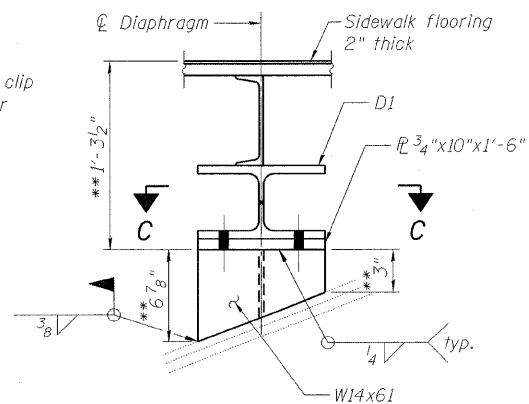
ELEVATION



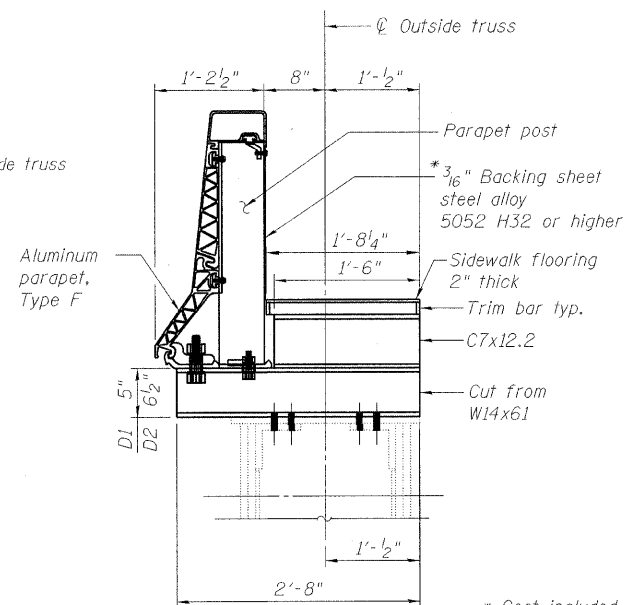
DETAIL A



DETAIL B

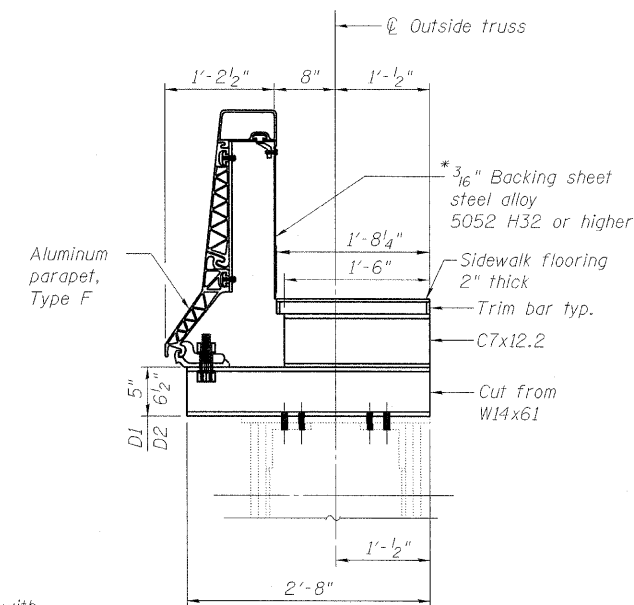


DETAIL C

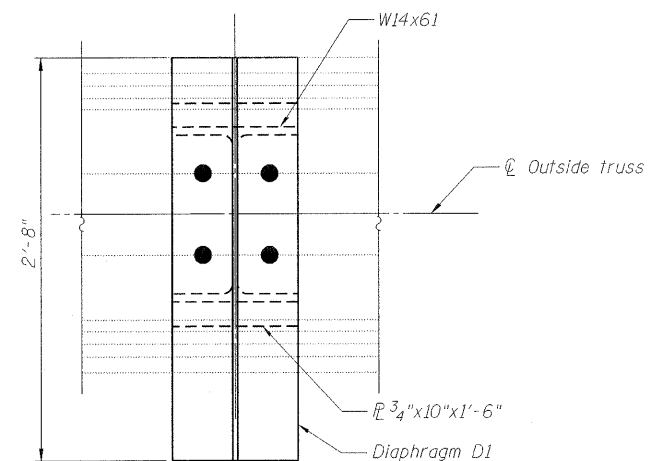


SECTION A-A

* Cost included with Aluminum Parapet, Type F



SECTION B-B



SECTION C-C

LEGEND

- Existing fastener to remain
- Hole to match existing location
- New hole
- Existing member to remain
- New member

Note:
Portion of this drawing is extracted from original drawing for this bridge.
See sheets 132 and 133 for Aluminum Parapet, Type F.

**SUPERSTRUCTURE
MOVABLE SPAN
STRUCTURE NO. 016-2445**

DESIGNED	M. SHAIKH
CHECKED	J. GRAINAWI
DRAWN	M. SHAIKH
CHECKED	A. HAMMAD

PB Americas, Inc.
230 WEST MONROE STREET,
SUITE 900
CHICAGO, IL. 60606

SHEET NO. 57	F.A.P RTE.	SECTION	COUNTY	TOTAL SHEETS	SHEET NO.
	389	2424.2B-R	COOK	398	138
163 SHEETS	CONTRACT NO. 60D61			ILLINOIS FED. AID PROJECT	

T:\16843A\Structural\Cadd\Pre-final\EB_Plans\0162445-60D61-SUP-057.a.dgn 07-MAY-2009