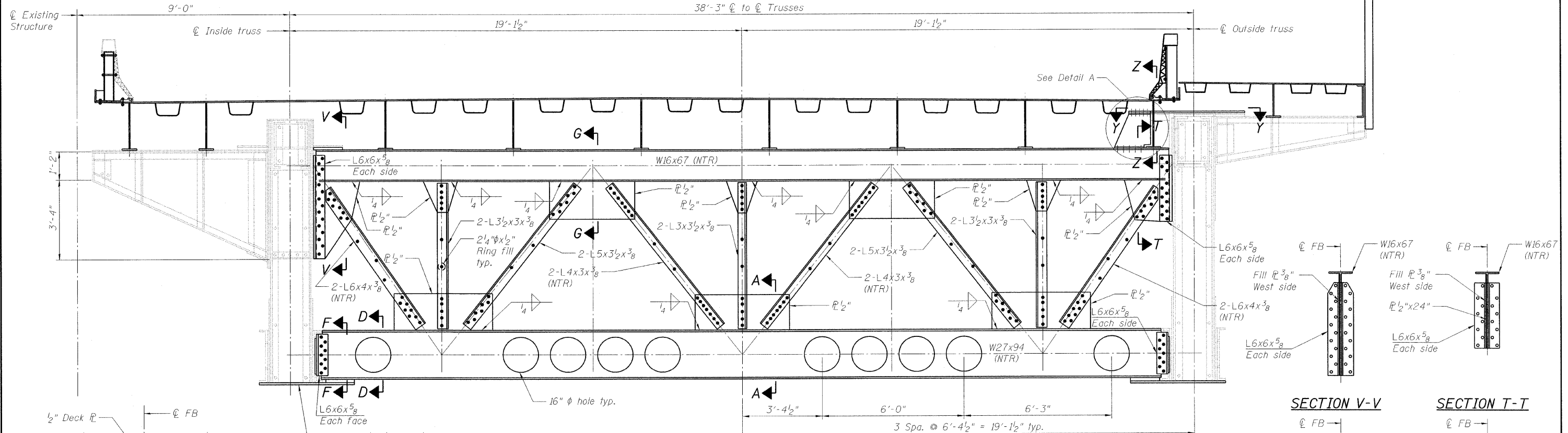
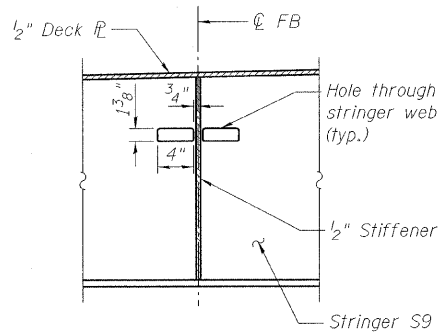


STATE OF ILLINOIS
DEPARTMENT OF TRANSPORTATION

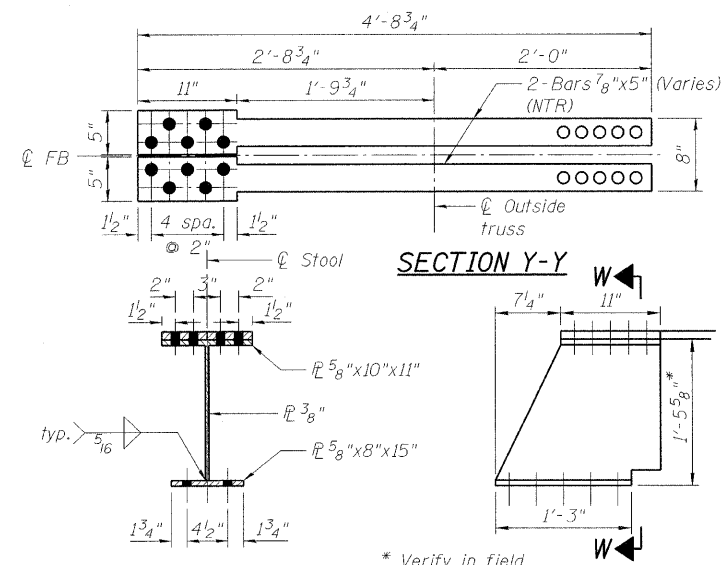
38'-3" ϕ to ϕ Trusses



FLOORBEAM 10-10
(Looking East)



SECTION Z-Z



SECTION W-W

DETAIL A

(Bottom flange holes shall match existing hole spacing for existing floorbeams)

Notes:
For Sections A-A and D-D, see sheet 87 of 163.
Load carrying components designated "NTR" shall conform to the supplemental requirements for Notch Toughness, Zone 2.

LEGEND

- R&R Remove & replace
- \circ Existing fastener to remain
- \bullet Hole to match existing location
- \bullet New hole
- Existing member to remain
- New member

**FLOORBEAM DETAILS
SOUTHWEST LEAF
STRUCTURE NO. 016-2445**

DESIGNED	D. V. PATEL
CHECKED	J. GRAINAWI
DRAWN	D. C. PATEL
CHECKED	A. HAMMAD

PB Americas, Inc.
230 WEST MONROE STREET,
SUITE 900
CHICAGO, IL. 60606

SHEET NO. 64

163 SHEETS

F.A.P. RTE.	SECTION	COUNTY	TOTAL SHEETS	SHEET NO.
389	2424.2B-R	COOK	398	145
FED. ROAD DIST. NO. 7 ILLINOIS FED. AID PROJECT			CONTRACT NO. 60D61	