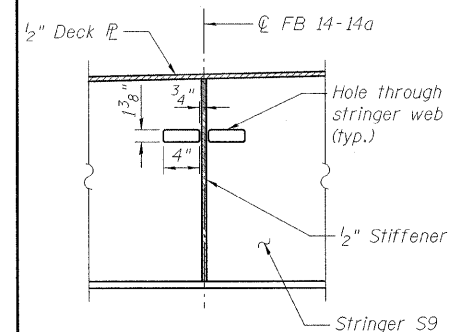
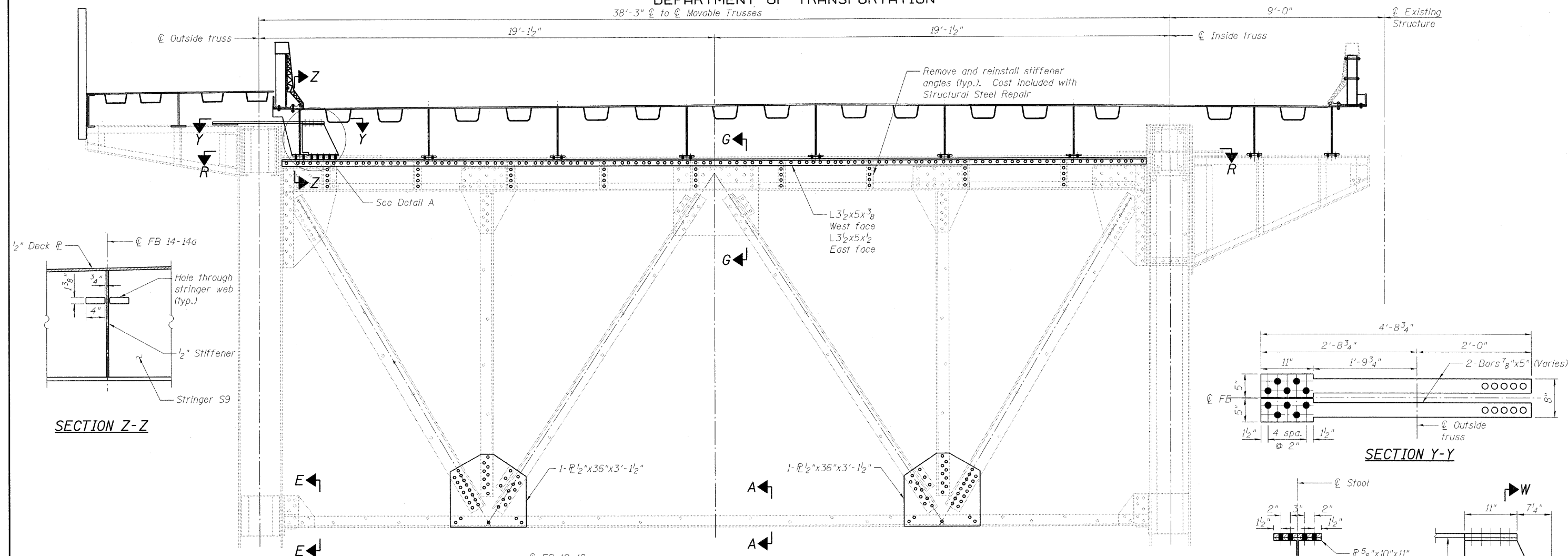
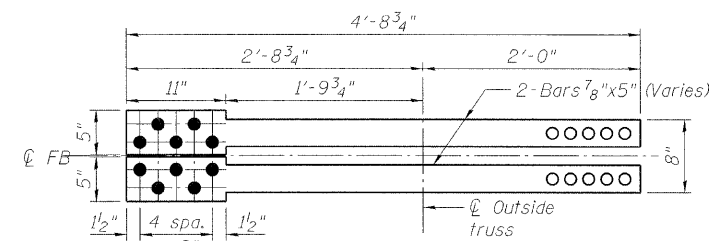


STATE OF ILLINOIS  
DEPARTMENT OF TRANSPORTATION

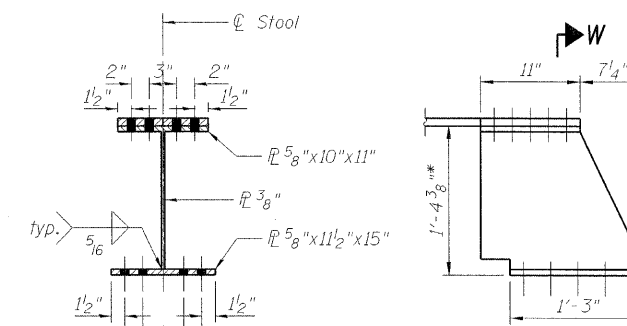
38'-3"  $\phi$  to  $\phi$  Movable Trusses



SECTION Z-Z

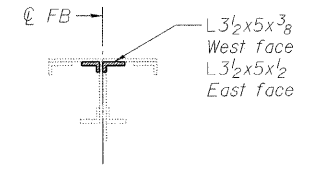


SECTION Y-Y



SECTION W-W

DETAIL A

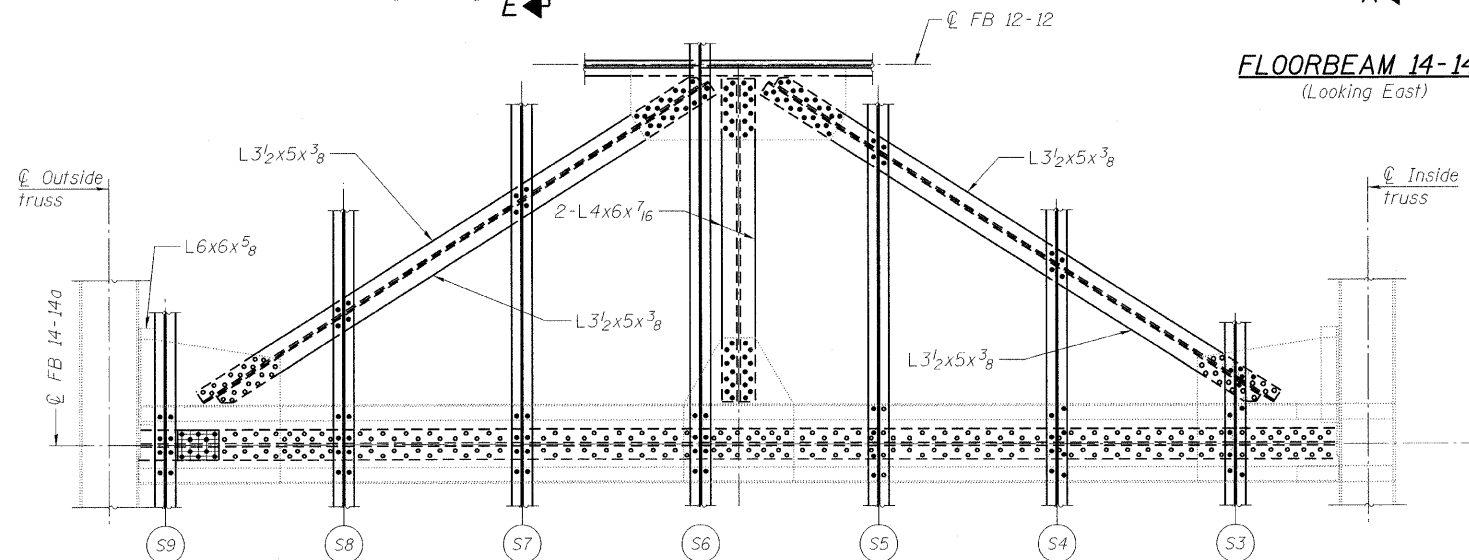


SECTION G-G

- LEGEND**
- R&R Remove & replace
  - Existing fastener to remain
  - Hole to match existing location
  - New hole
  - Existing member to remain
  - New member

**FLOORBEAM DETAILS  
NORTHWEST LEAF  
STRUCTURE NO. 016-2445**

**FLOORBEAM 14-14a  
(Looking East)**



SECTION R-R

Note:  
For Sections A-A and E-E  
see sheet 88 of 163.

**PB Americas, Inc.**  
230 WEST MONROE STREET,  
SUITE 900  
CHICAGO, IL. 60606

SHEET NO. 84 163 SHEETS	F.A.P RTE.	SECTION	COUNTY	TOTAL SHEETS	SHEET NO.
	389	2424.2B-R	COOK	398	165
FED. ROAD DIST. NO. 7 ILLINOIS			CONTRACT NO. 60D61		
FED. AID PROJECT					

T:\16843A\Structural\Cadd\Pre-final\EB\_Plans\0162445-60D61-FBE-082.dgn 07-MAY-2009

DESIGNED	B. GILHOUSEN
CHECKED	J. GRAINAWI
DRAWN	D. C. PATEL
CHECKED	A. HAMMAD