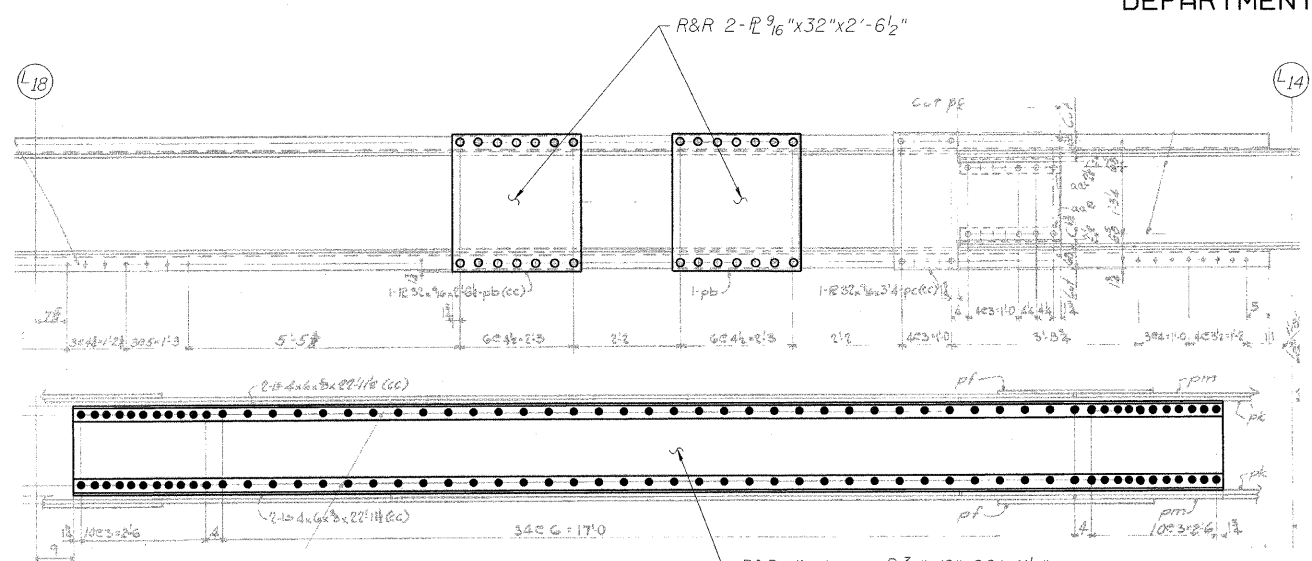
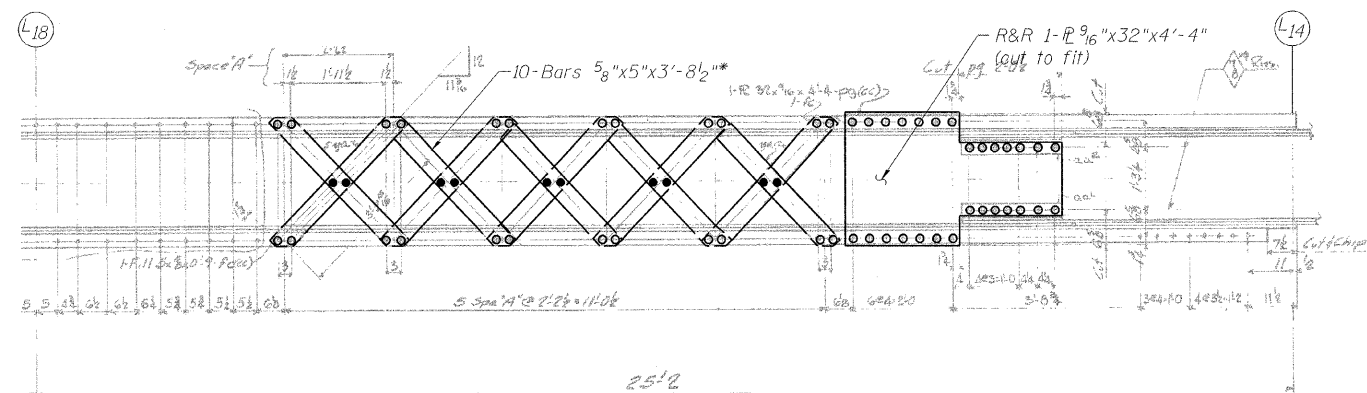


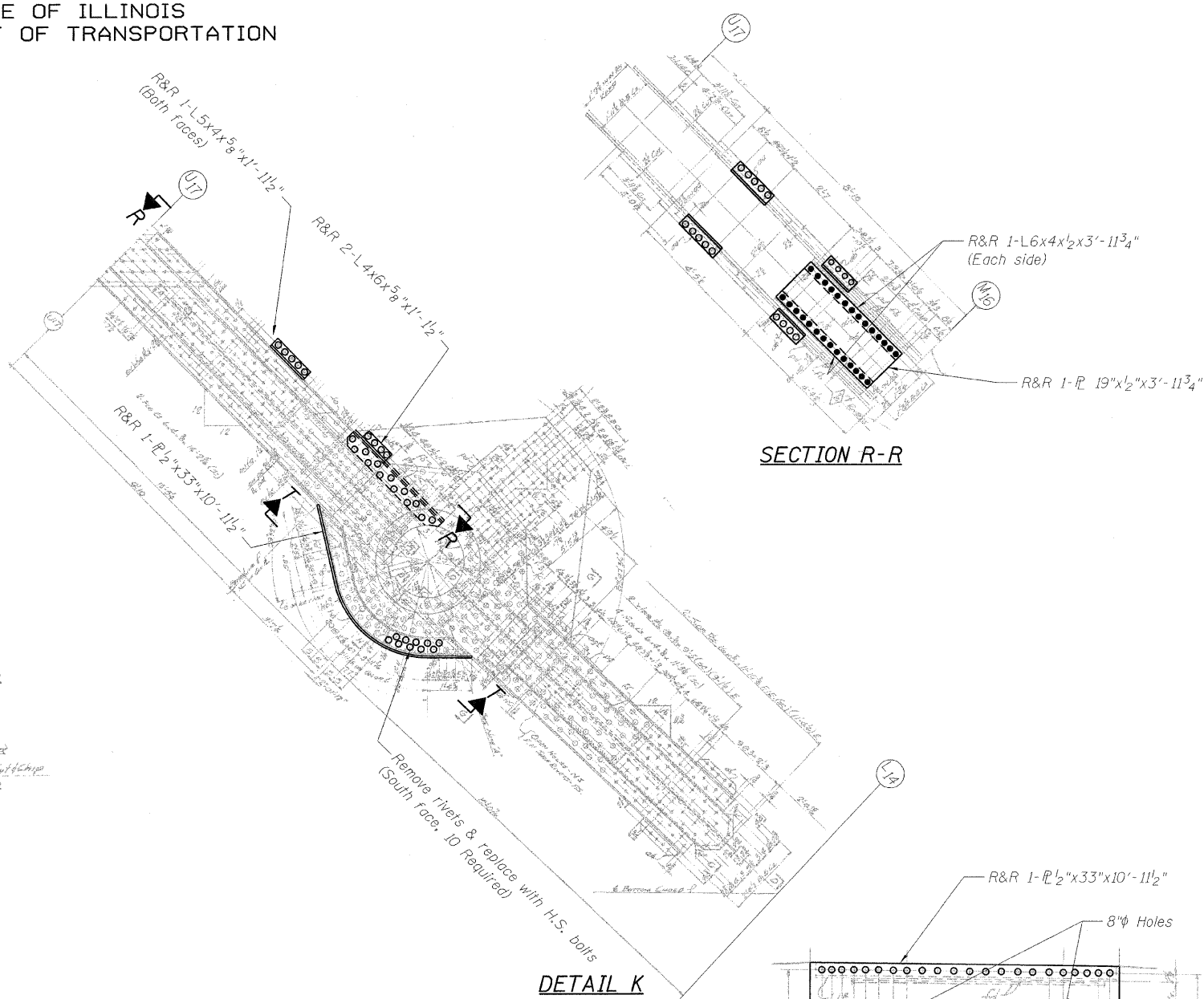
STATE OF ILLINOIS
DEPARTMENT OF TRANSPORTATION



SECTION P-P

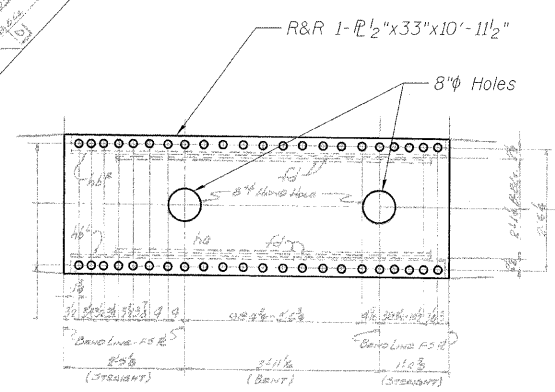


SECTION Q-Q



SECTION R-R

DETAIL K



SECTION T-T

- LEGEND**
- R&R Remove & replace
 - Existing fastener to remain
 - Hole to match existing location
 - New hole
 - Existing member to remain
 - New member

Note:
Portions of this drawing are extracted from original drawings for this bridge. Details shown are provided to illustrate the work to be performed.

* Measured Center-Center of holes.
Proposed bar length and shape to match existing bars.

DESIGNED	D. V. PATEL
CHECKED	J. GRAINAWI
DRAWN	D. C. PATEL
CHECKED	A. HAMMAD

PB Americas, Inc.
230 WEST MONROE STREET,
SUITE 900
CHICAGO, IL. 60606

SHEET NO. 94 163 SHEETS	F.A.P. RTE.	SECTION	COUNTY	TOTAL SHEETS	SHEET NO.
	389	2424.2B-R	COOK	398	175
			CONTRACT NO.	60D61	
FED. ROAD DIST. NO. 7 ILLINOIS FED. AID PROJECT					

**TRUSS REPAIRS
INSIDE TRUSS (SOUTHWEST)
STRUCTURE NO. 016-2445**

T:\16843A\Structural\Cadd\Pre-final\EB_Plans\0162445-60D61-TR-082.dgn 07-MAY-2009