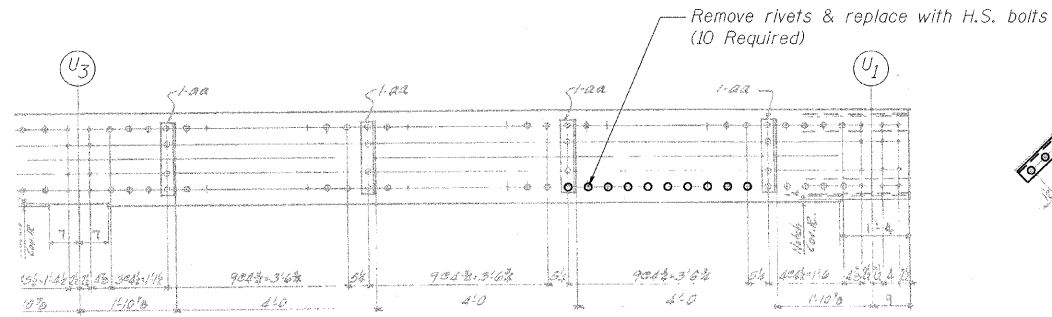
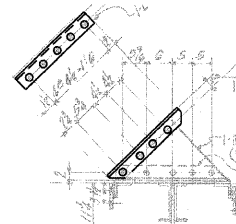


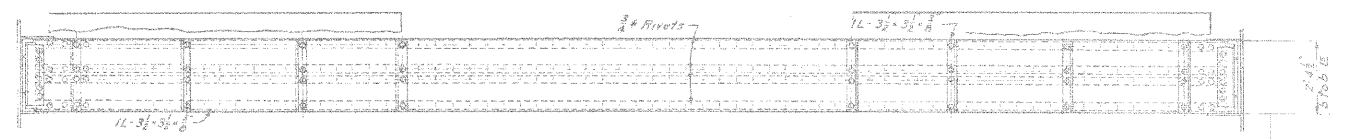
STATE OF ILLINOIS
DEPARTMENT OF TRANSPORTATION



SECTION G-G



SECTION Z-Z

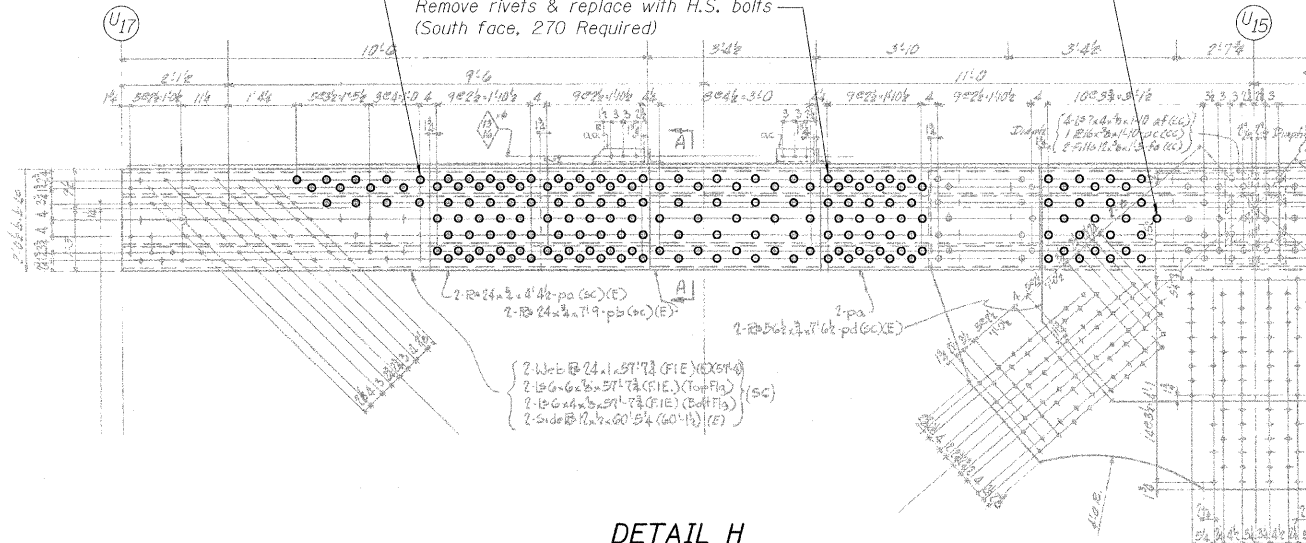


SECTION Y-Y

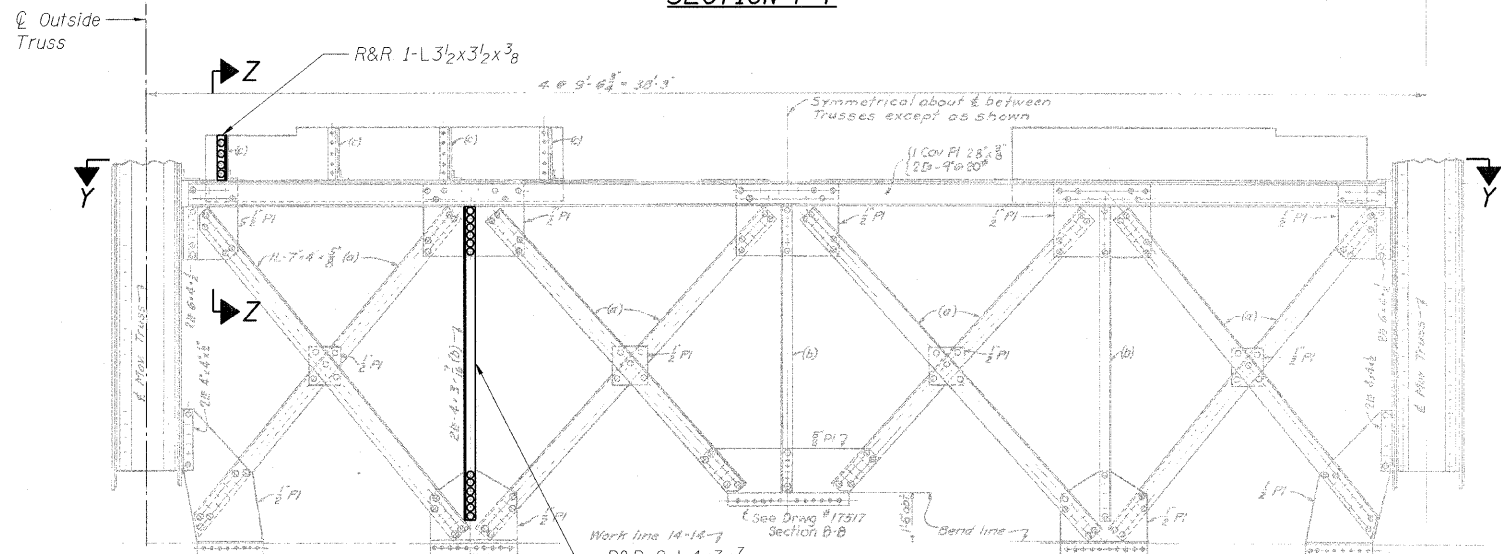
Remove rivets & replace with H.S. bolts
(North face, 13 Required)

Remove rivets & replace with H.S. bolts
(North face, 26 Required)

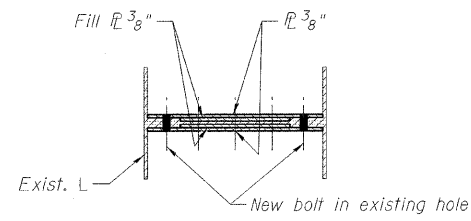
Remove rivets & replace with H.S. bolts
(South face, 270 Required)



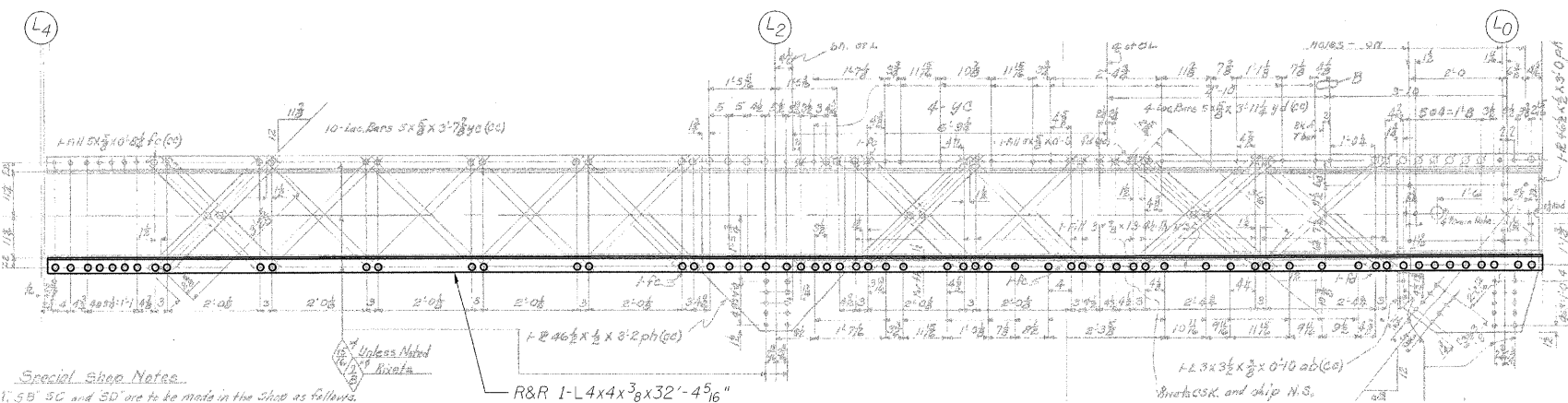
DETAIL H



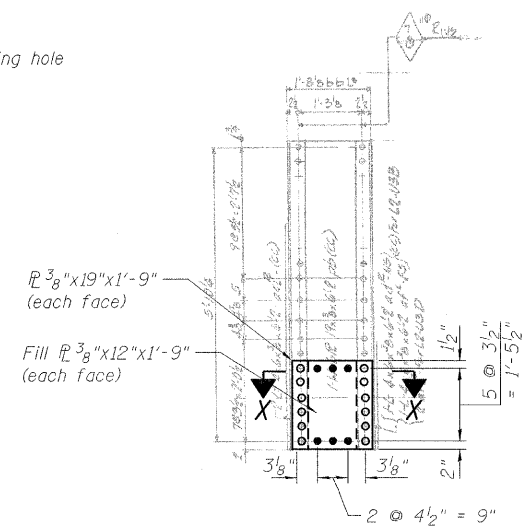
LATTICE TRUSS ELEVATION



SECTION X-X



SECTION A-A



SECTION F-F
POST L2-U3

LEGEND

- R&R Remove & replace
- Existing fastener to remain
- Hole to match existing location
- New hole
- Existing member to remain
- New member

Note:
Portions of this drawing are extracted from original drawings for this bridge. Details shown are provided to illustrate the work to be performed.

TRUSS REPAIRS
OUTSIDE TRUSS (NORTHEAST)
STRUCTURE NO. 016-2445

DESIGNED	P. PETERSON
CHECKED	J. GRAINAWI
DRAWN	D. C. PATEL
CHECKED	A. HAMMAD

PB Americas, Inc.
230 WEST MONROE STREET,
SUITE 900
CHICAGO, IL. 60606

SHEET NO. 111 163 SHEETS	F.A.P RTE.	SECTION	COUNTY	TOTAL SHEETS	SHEET NO.
	389	2424.2B-R	COOK	398	192
			CONTRACT NO. 60D61		
FED. ROAD DIST. NO. 7 ILLINOIS FED. AID PROJECT					