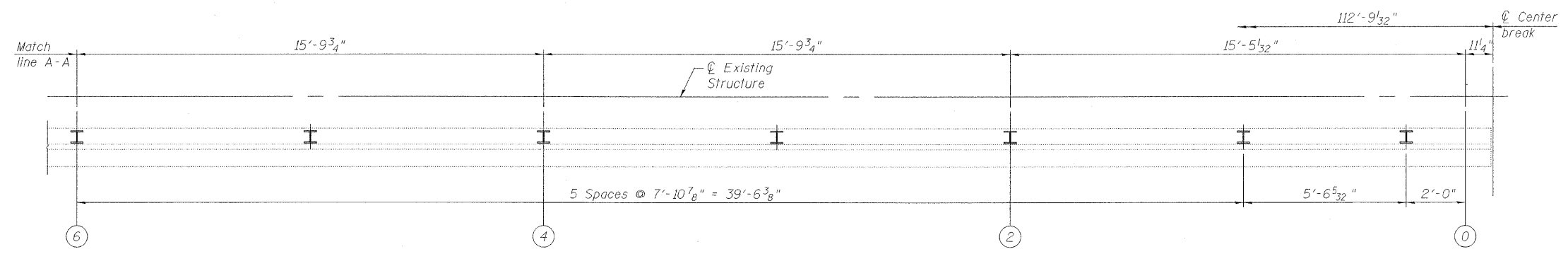
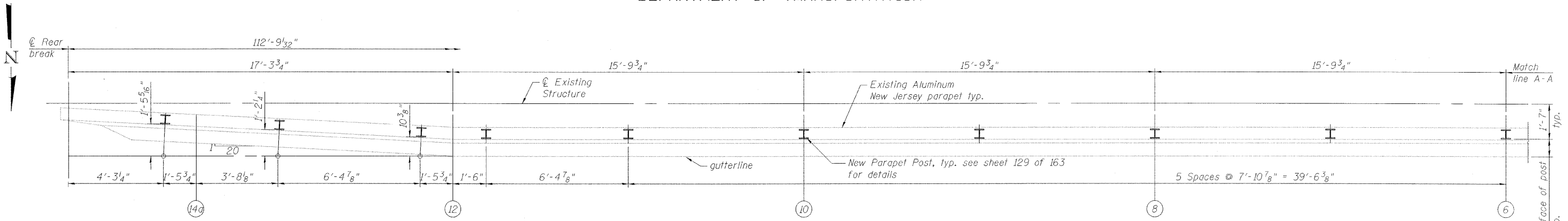
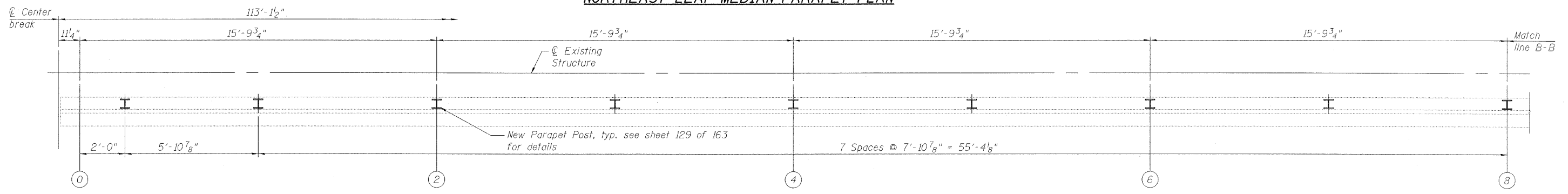


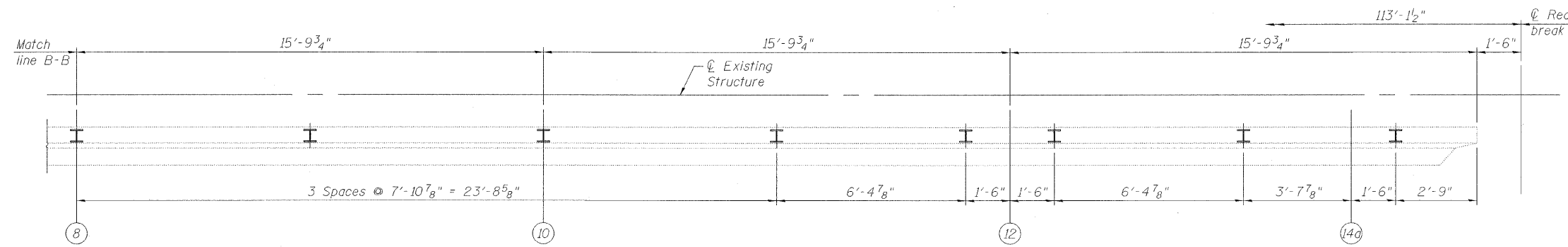
STATE OF ILLINOIS
DEPARTMENT OF TRANSPORTATION



NORTHEAST LEAF MEDIAN PARAPET PLAN



NORTHWEST LEAF MEDIAN PARAPET PLAN



**MEDIAN PARAPET PLAN
MOVABLE SPAN (WB)
STRUCTURE NO. 016-2445**

DESIGNED	P. PILARSKI
CHECKED	J. GRAINAWI
DRAWN	D. C. PATEL
CHECKED	A. HAMMAD

PB Americas, Inc.
230 WEST MONROE STREET,
SUITE 900
CHICAGO, IL. 60606

SHEET NO. 126 163 SHEETS	F.A.P. RTE.	SECTION	COUNTY	TOTAL SHEETS	SHEET NO.
	389	2424.2B-R	COOK	398	207
CONTRACT NO. 60D61					
FED. ROAD DIST. NO. 7 ILLINOIS FED. AID PROJECT					

T:\16843A\Structural\Cadd\Pre-final\EB_Plans\0162445-60D61-NUB-124.dgn 07-MAY-2009