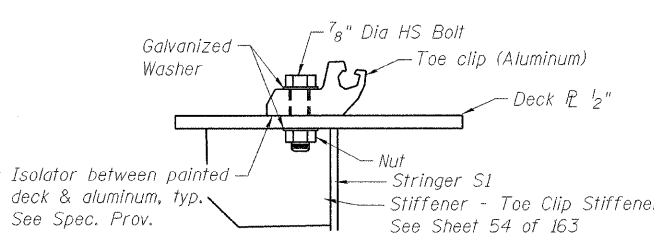
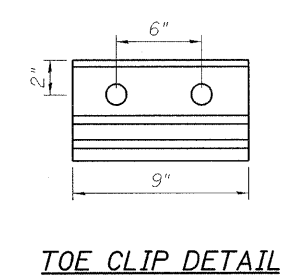
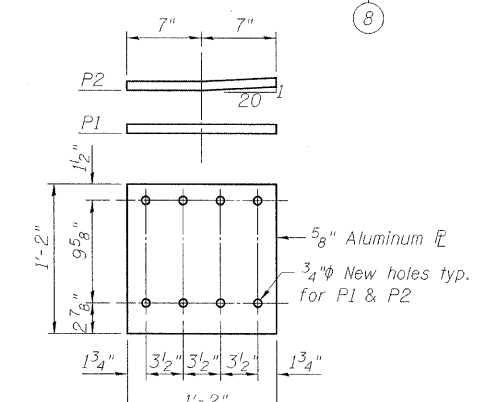
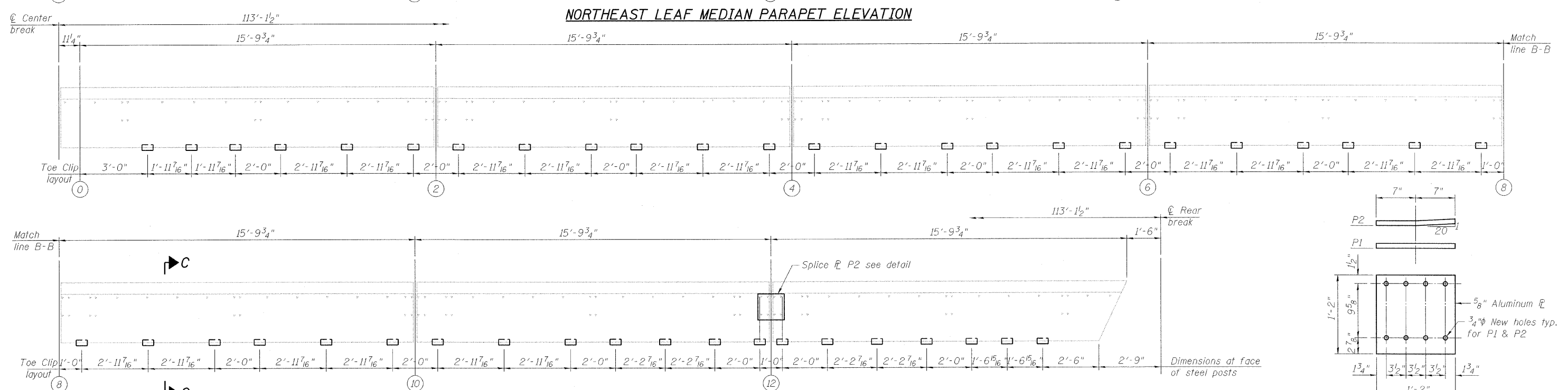
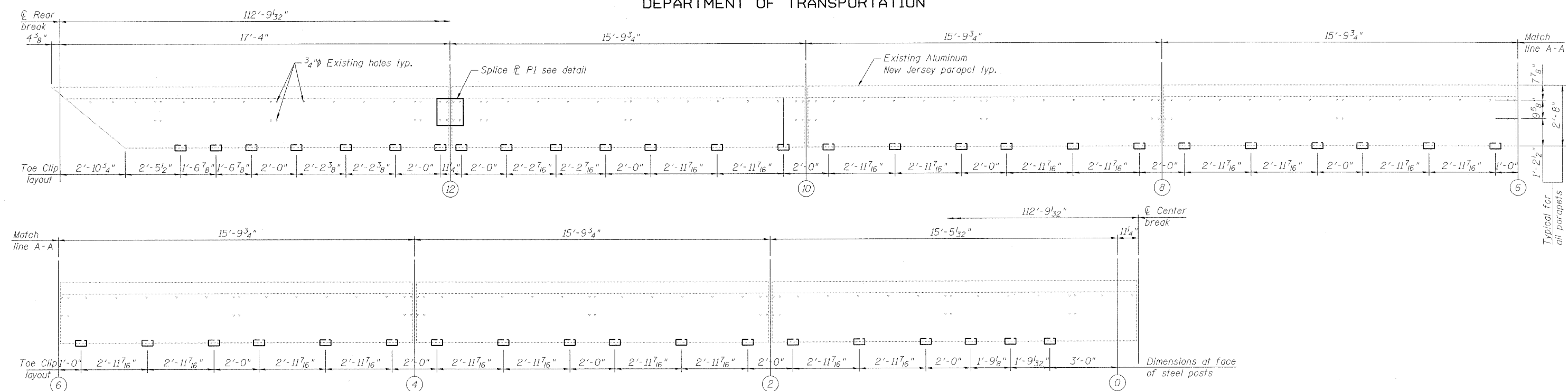


**STATE OF ILLINOIS  
DEPARTMENT OF TRANSPORTATION**



Note:  
See sheet 129 of 163 for section C-C.

**PB Americas, Inc.**  
230 WEST MONROE STREET,  
SUITE 900  
CHICAGO, IL. 60606

SHEET NO. 128	F.A.P RTE.	SECTION	COUNTY	TOTAL SHEETS	SHEET NO.
163 SHEETS	389	2424.2B-R	COOK	398	209
CONTRACT NO. 60D61				FED. ROAD DIST. NO. 7 ILLINOIS FED. AID PROJECT	

T:\16843A\Structural\Cadd\Pre-Final\EB\_Plans\0162445-60D61-128-NUB.dgn 06-JUN-2009 10:02

DESIGNED	P. PILARSKI
CHECKED	J. GRAINAWI
DRAWN	D. C. PATEL
CHECKED	A. HAMMAD