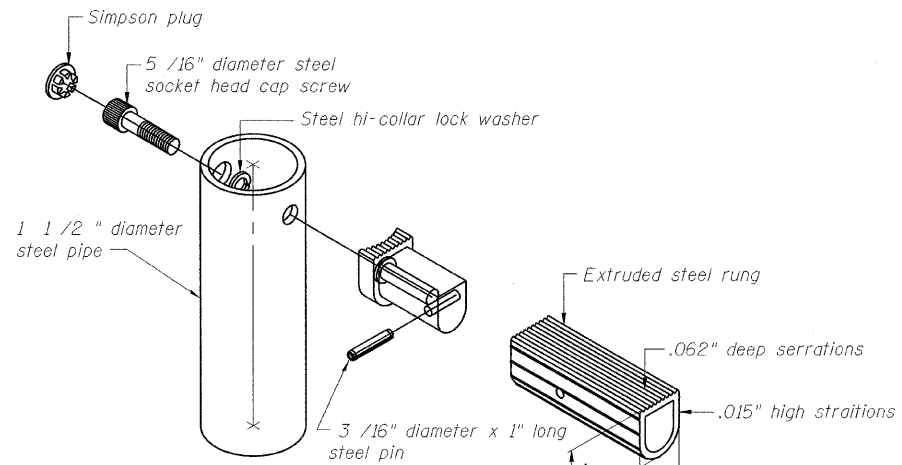
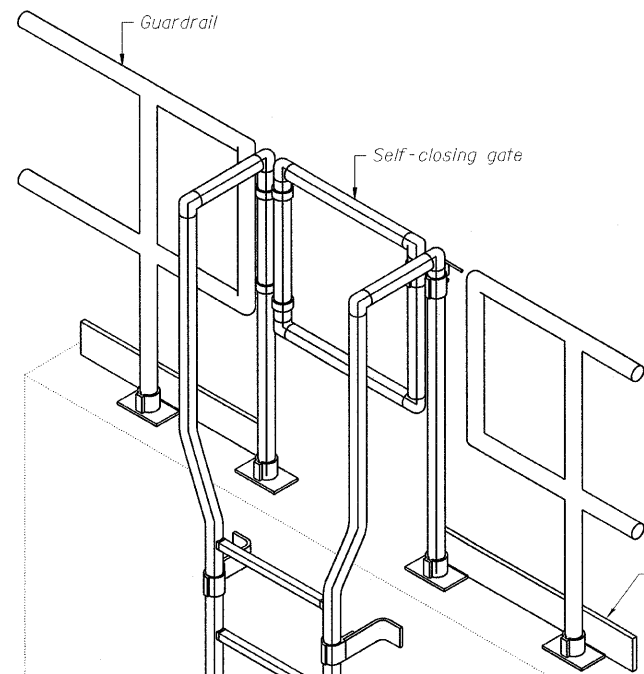
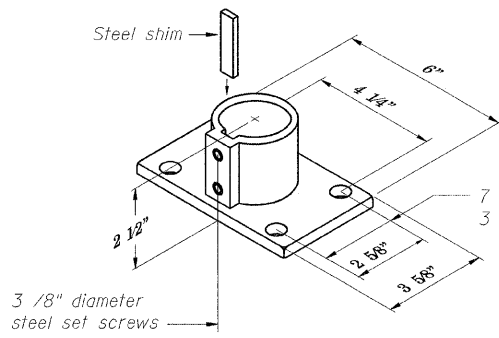


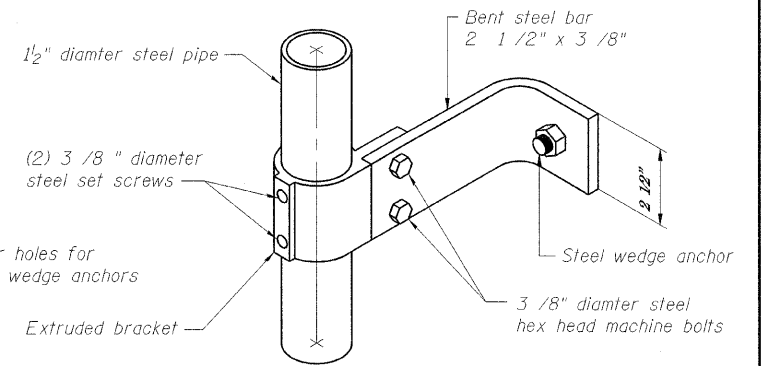
STATE OF ILLINOIS
DEPARTMENT OF TRANSPORTATION



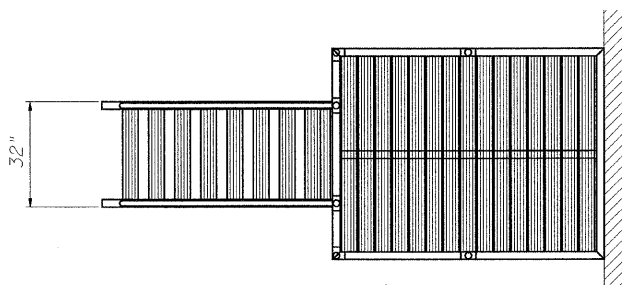
DETAIL OF LADDER RUNG



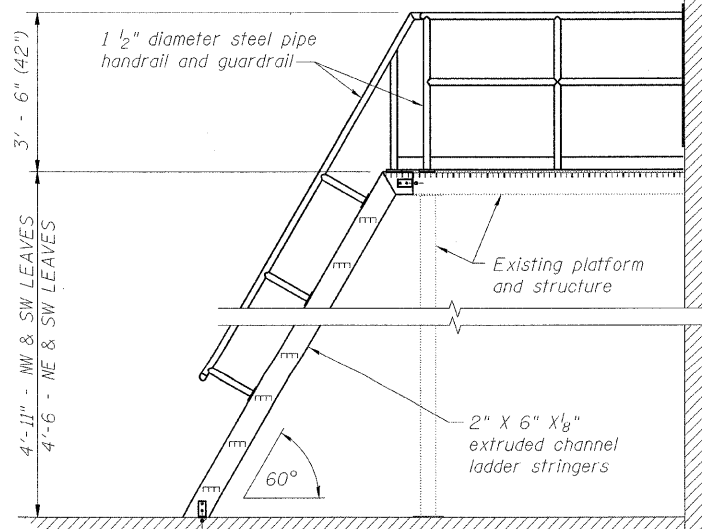
DETAIL OF BASE FLANGE



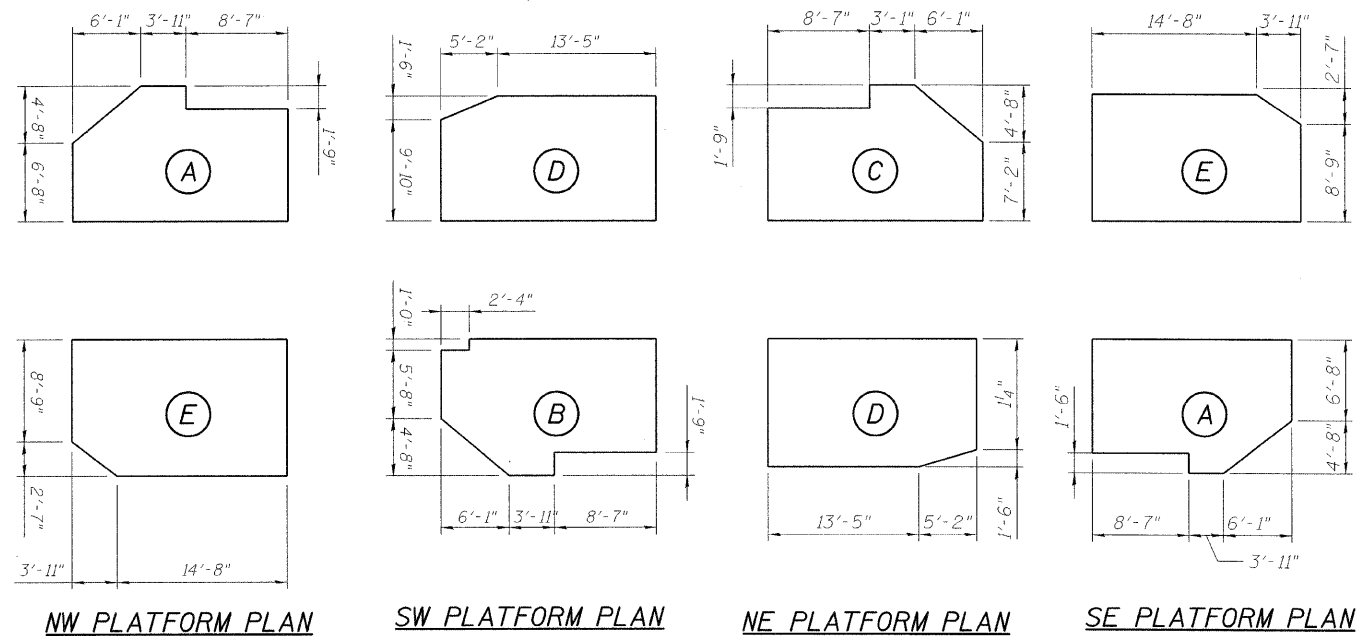
DETAIL OF LADDER BRACKET



SHIPS LADDER PLAN VIEW



SHIPS LADDER SIDE ELEVATION



NW PLATFORM PLAN

SW PLATFORM PLAN

NE PLATFORM PLAN

SE PLATFORM PLAN

Notes:
All shown platform dimensions are to existing platform sizes.
For location of platform see sheet 137 of 163.
All platform grating shall be removed and replaced. See Special Provision.

LEGEND

Existing member to remain
New member

LADDER DETAILS AND PLATFORM PLANS
STRUCTURE NO. 016-2445

DESIGNED	K. STOCKIE
CHECKED	J. SHURMAN
DRAWN	E. KIENSTRA
CHECKED	A. HAMMAD

SHEET NO. 145 163 SHEETS	F.A.P. RTE.	SECTION	COUNTY	TOTAL SHEETS	SHEET NO.
	389	2424.2B-R	COOK	398	226
CONTRACT NO. 60D61			FED. ROAD DIST. NO. 7 ILLINOIS FED. AID PROJECT		

PB Americas, Inc.
230 WEST MONROE STREET,
SUITE 900
CHICAGO, IL. 60606

T:\16843A\Structural\Cadd\Pre-Final\EB_Plans\0162445-60D61-FSR-145.dgn
07-MAY-2009