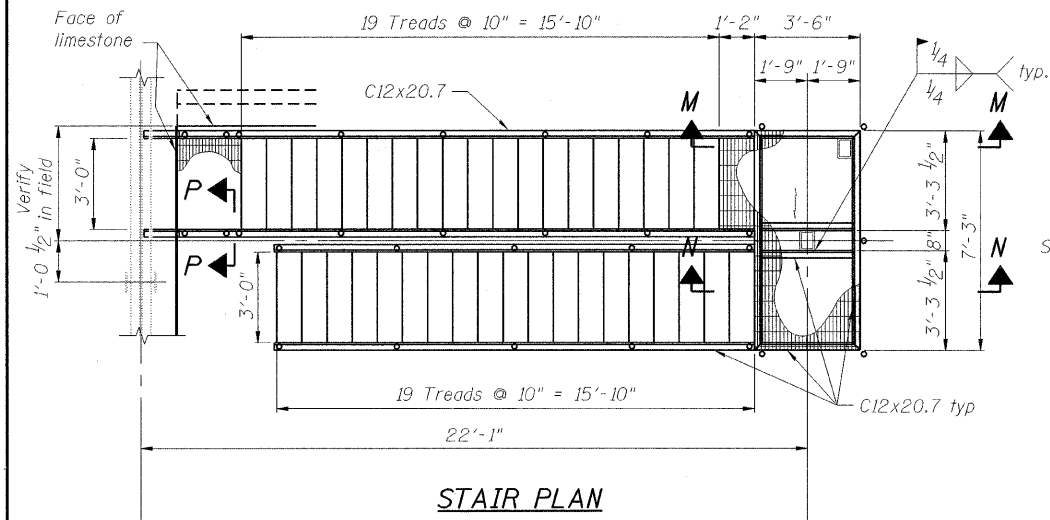


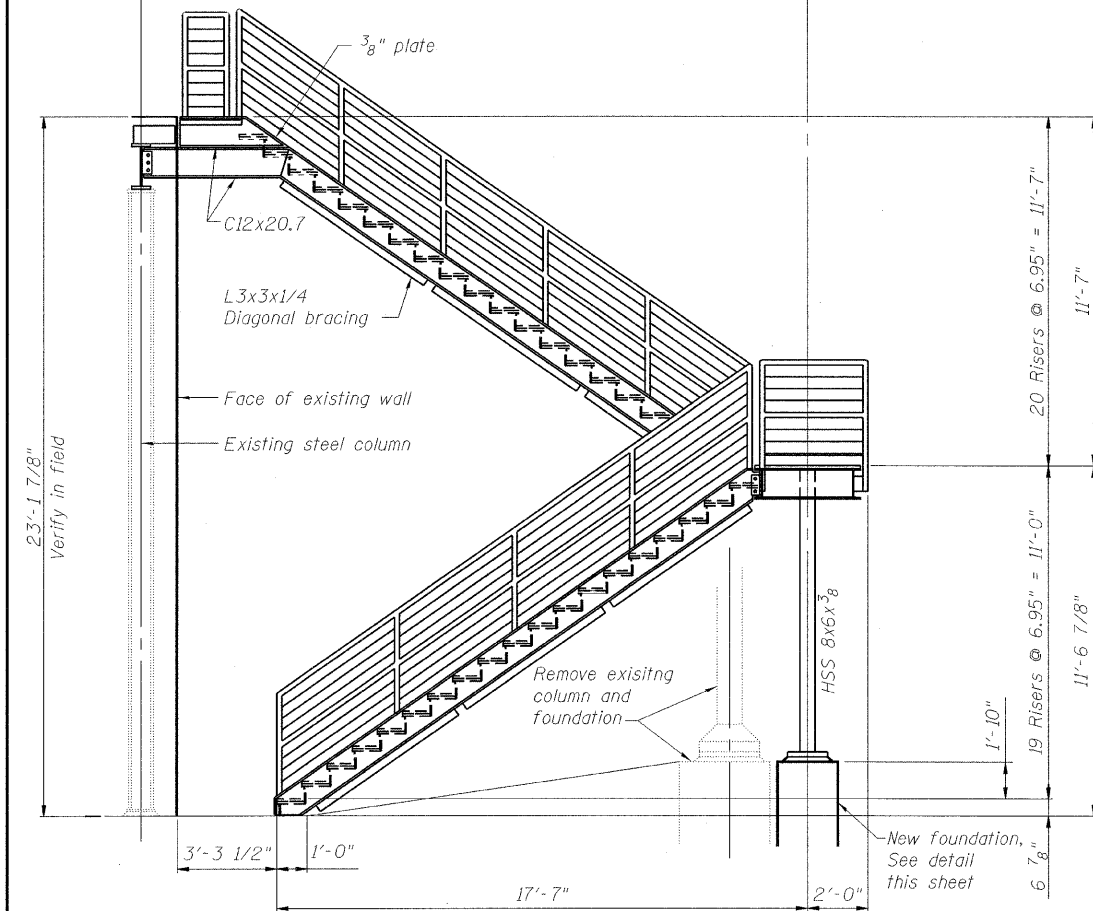
STATE OF ILLINOIS  
DEPARTMENT OF TRANSPORTATION

BILL OF MATERIAL

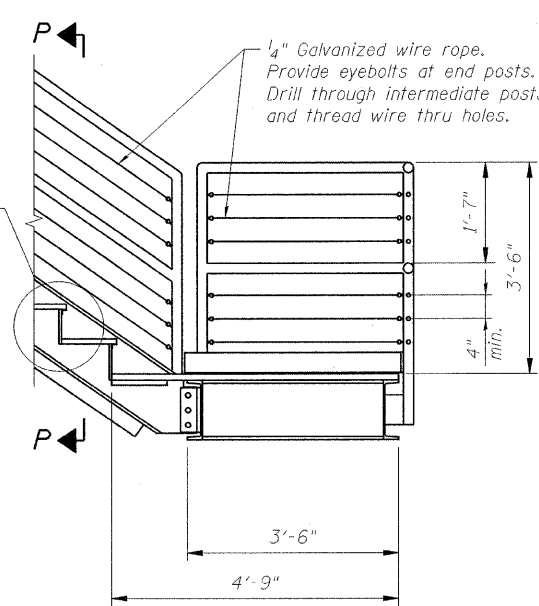
Bar	No.	Size	Length	Shape
n <sub>50</sub> (E)	8	#8	5'-8"	—
s <sub>50</sub> (E)	4	#4	7'-9"	□
t <sub>50</sub> (E)	5	#5	4'-8"	—
w <sub>50</sub> (E)	5	#5	4'-8"	—
Reinforcement Bars, Epoxy Coated		Pound	190	
Porous Granular Embankment		Cu. Yd.	4	
Structure Excavation		Cu. Yd.	5.4	
Concrete Structures		Cu. Yd.	1.7	



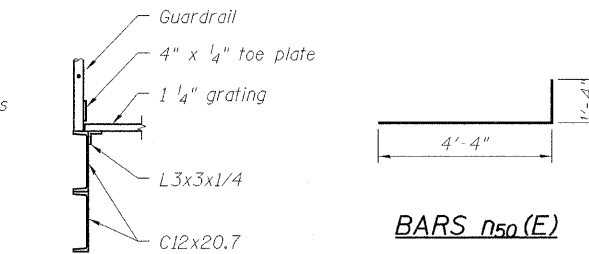
STAIR PLAN



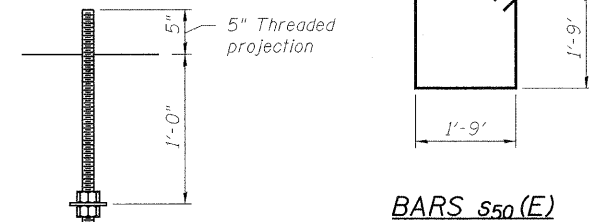
STAIR ELEVATION



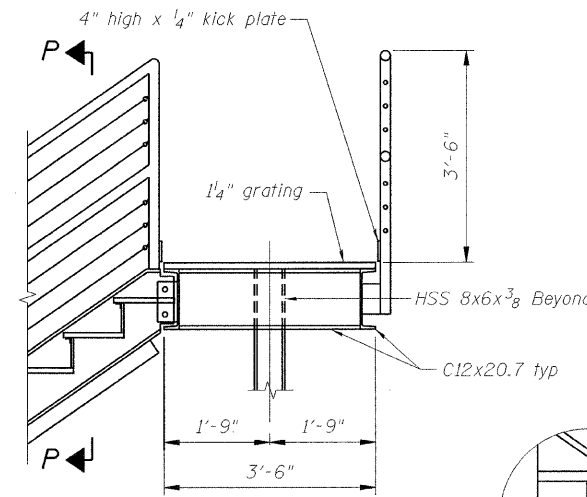
SECTION M-M



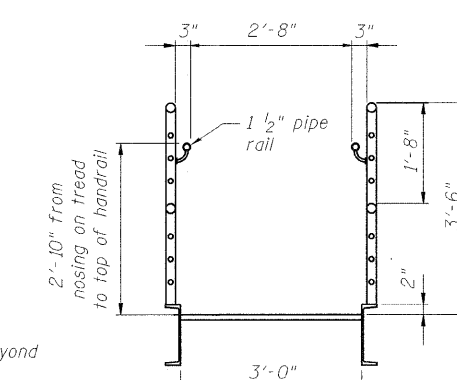
SECTION R-R



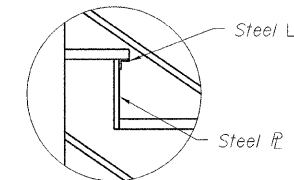
ANCHOR ROD DETAIL



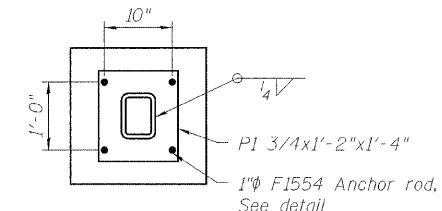
SECTION N-N



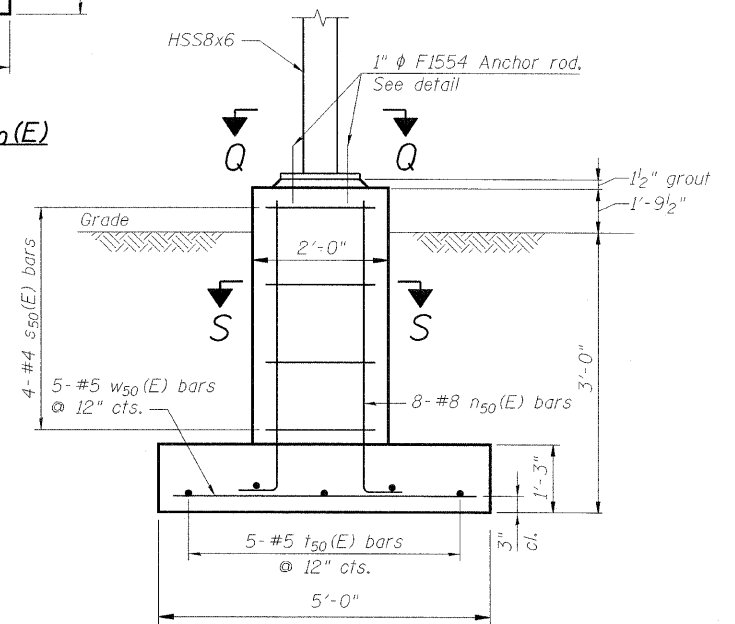
SECTION P-P



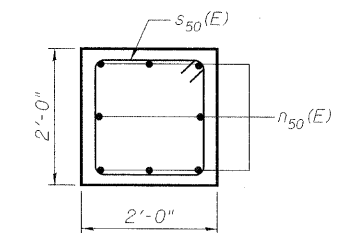
DETAIL A



SECTION Q-Q



STAIR FOUNDATION ELEVATION



SECTION S-S

Notes:

- Steel shapes and plates shall be ASTM A36.
- Guardrails shall be constructed of ASTM A53 pipe with Schedule 80 verticals and Schedule 40 horizontals.
- Steel Tubing shall be ASTM A500 gr. B.

- Bar Grating shall be galvanized with 1-1/4"x3/16" bearing bars. Serrated bar grating shall be used throughout.
- Bolted connections shall be ASTM A325N.
- Welding indicated shall be in accordance with AWS standards.

LEGEND

- Existing member to remain
- New member

DESIGNED	K. STOCKIE
CHECKED	J. SHERMAN
DRAWN	E. KIENSTRA
CHECKED	A. HAMMAD

**PB Americas, Inc.**  
230 WEST MONROE STREET,  
SUITE 900  
CHICAGO, IL. 60606

SHEET NO. 147	F.A.P. RTE. 389	SECTION 2424.2B-R	COUNTY COOK	TOTAL SHEETS 398	SHEET NO. 228
163 SHEETS	CONTRACT NO. 60D61		FED. ROAD DIST. NO. 7 ILLINOIS FED. AID PROJECT		

STAIR DETAILS  
STRUCTURE NO. 016-2445

T:\16843A\Structural\Cadd\Pre-final\EB\_Plans\0162445-60D61-FSR-147.dgn  
07-MAY-2009