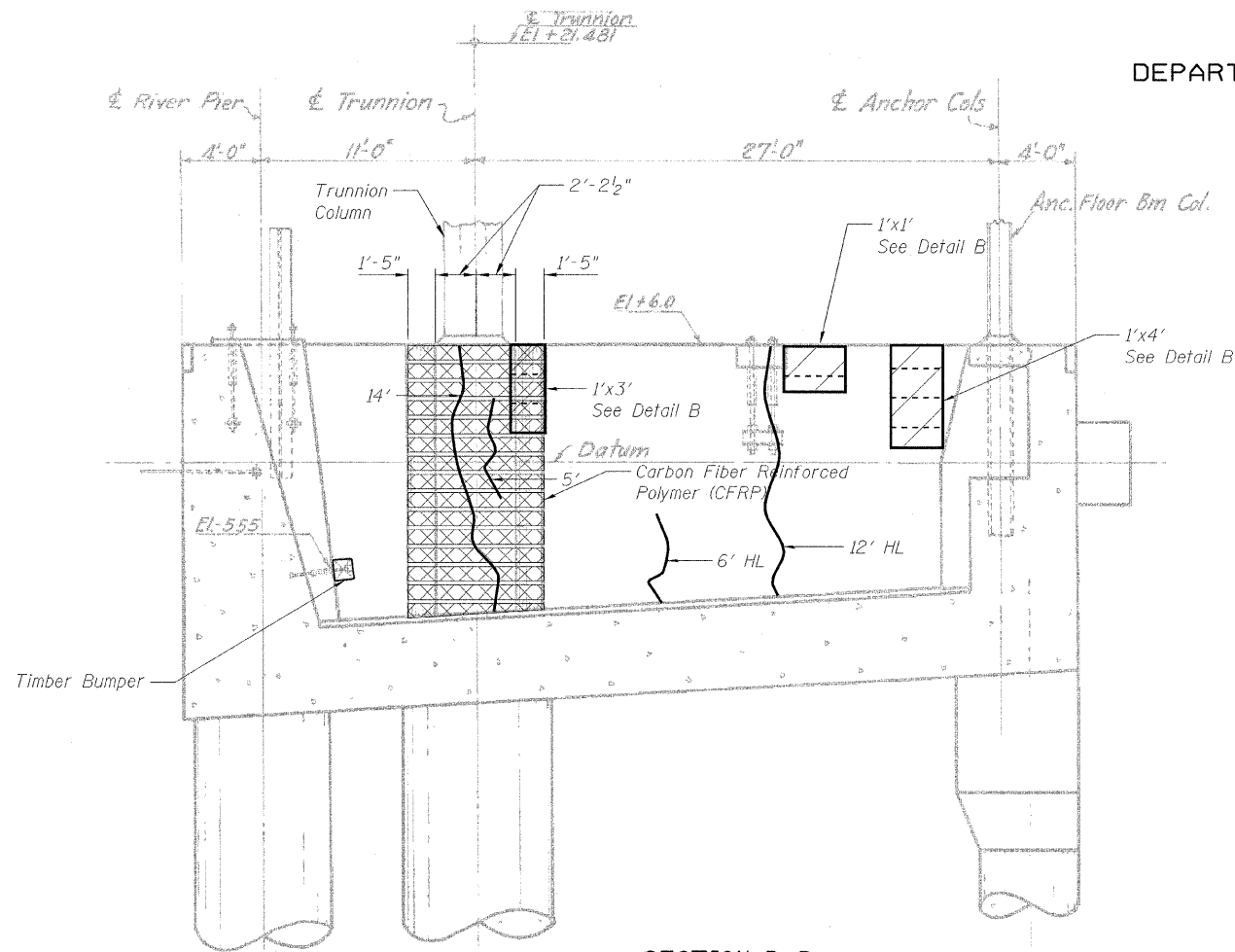
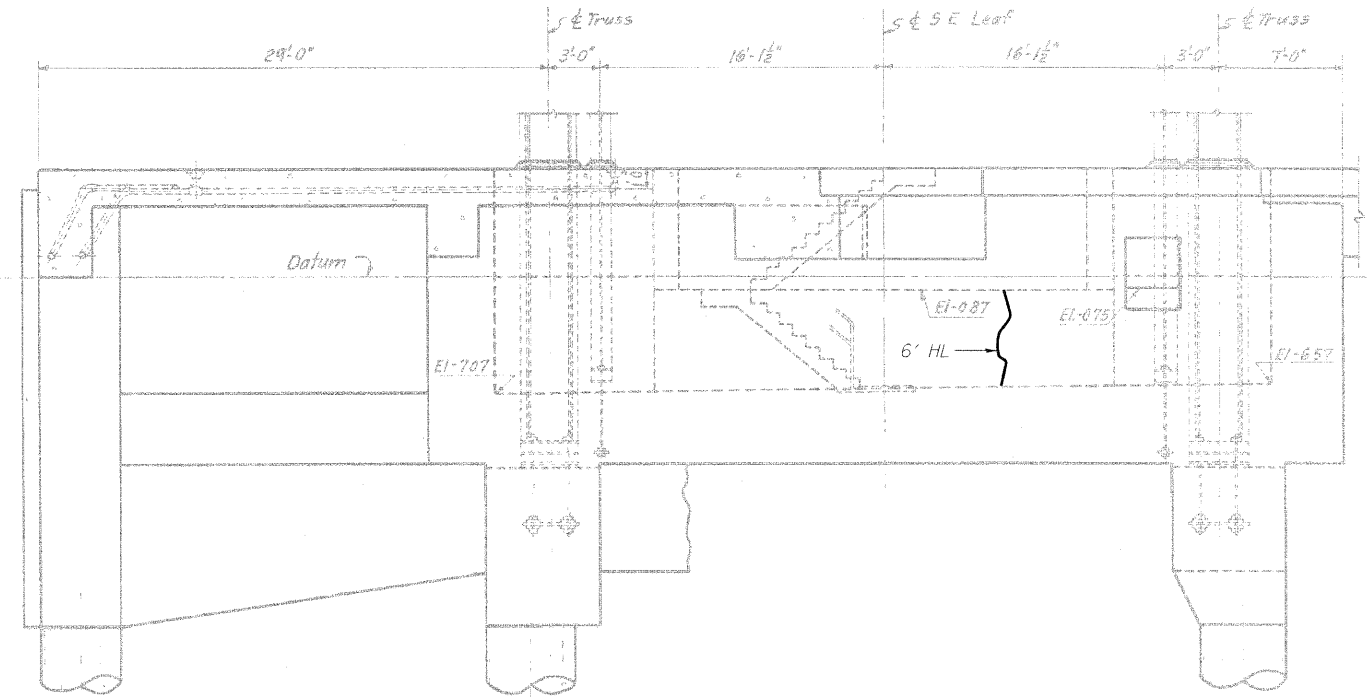


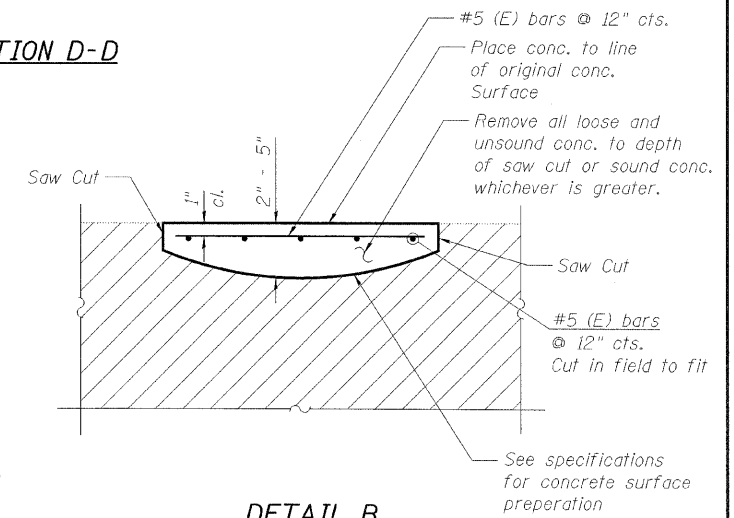
STATE OF ILLINOIS
DEPARTMENT OF TRANSPORTATION



SECTION B-B



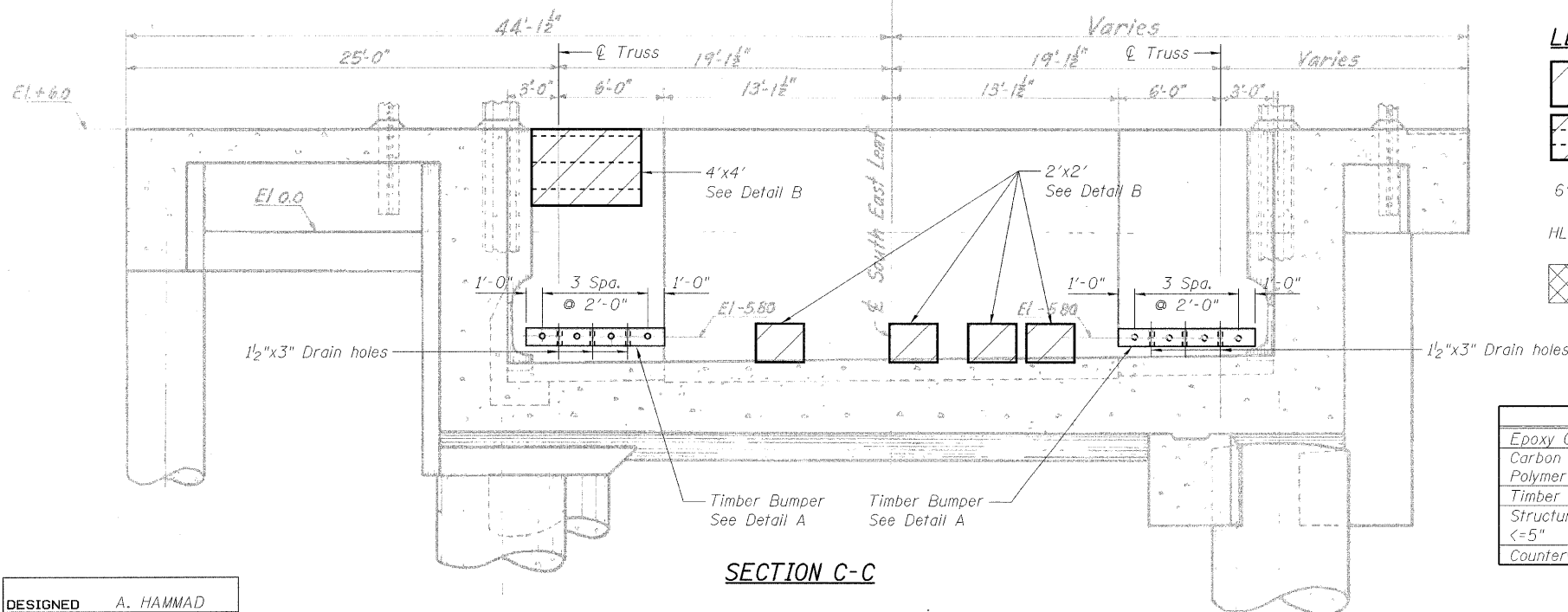
SECTION D-D



DETAIL B
STRUCTURAL REPAIR OF CONCRETE
DEPTH EQUAL TO OR LESS THAN 5"

Notes:
Portions of this drawing are extracted from original drawings for this bridge. Details shown are provided to illustrate the work to be performed.
Elevations are based on existing drawings. Contractor shall verify existing elevations and dimensions prior to ordering any material.
See sheet 150 of 163 for Detail A.

EAST COUNTERWEIGHT
PIT REPAIR (SOUTHEAST)
STRUCTURE NO. 016-2445



SECTION C-C

LEGEND

- Spalled Concrete (16 S.F.)
- Spalled Concrete with exposed rebar (24 S.F.)
- 6' } Epoxy crack injection
- HL } Hairline Crack - not to be sealed
- Carbon Fiber Reinforced Polymer (CFRP)

BILL OF MATERIAL

Item	Unit	Quantity
Epoxy Crack Injection	Foot	33
Carbon Fiber Reinforced Polymer (CFRP)	Sq. Ft.	248.8
Timber Bumper	Foot	16
Structural Concrete Repair <=5"	Sq. Ft.	40
Counterweight Pit Cleaning	Each	1

DESIGNED	A. HAMMAD
CHECKED	J. GRAINAWI
DRAWN	D. C. PATEL
CHECKED	A. HAMMAD

PB Americas, Inc.
230 WEST MONROE STREET,
SUITE 900
CHICAGO, IL. 60606

SHEET NO. 151	F.A.P RTE. 389	SECTION 2424.2B-R	COUNTY COOK	TOTAL SHEETS 398	SHEET NO. 232
163 SHEETS			CONTRACT NO. 60D61		
FED. ROAD DIST. NO. 7 ILLINOIS FED. AID PROJECT					