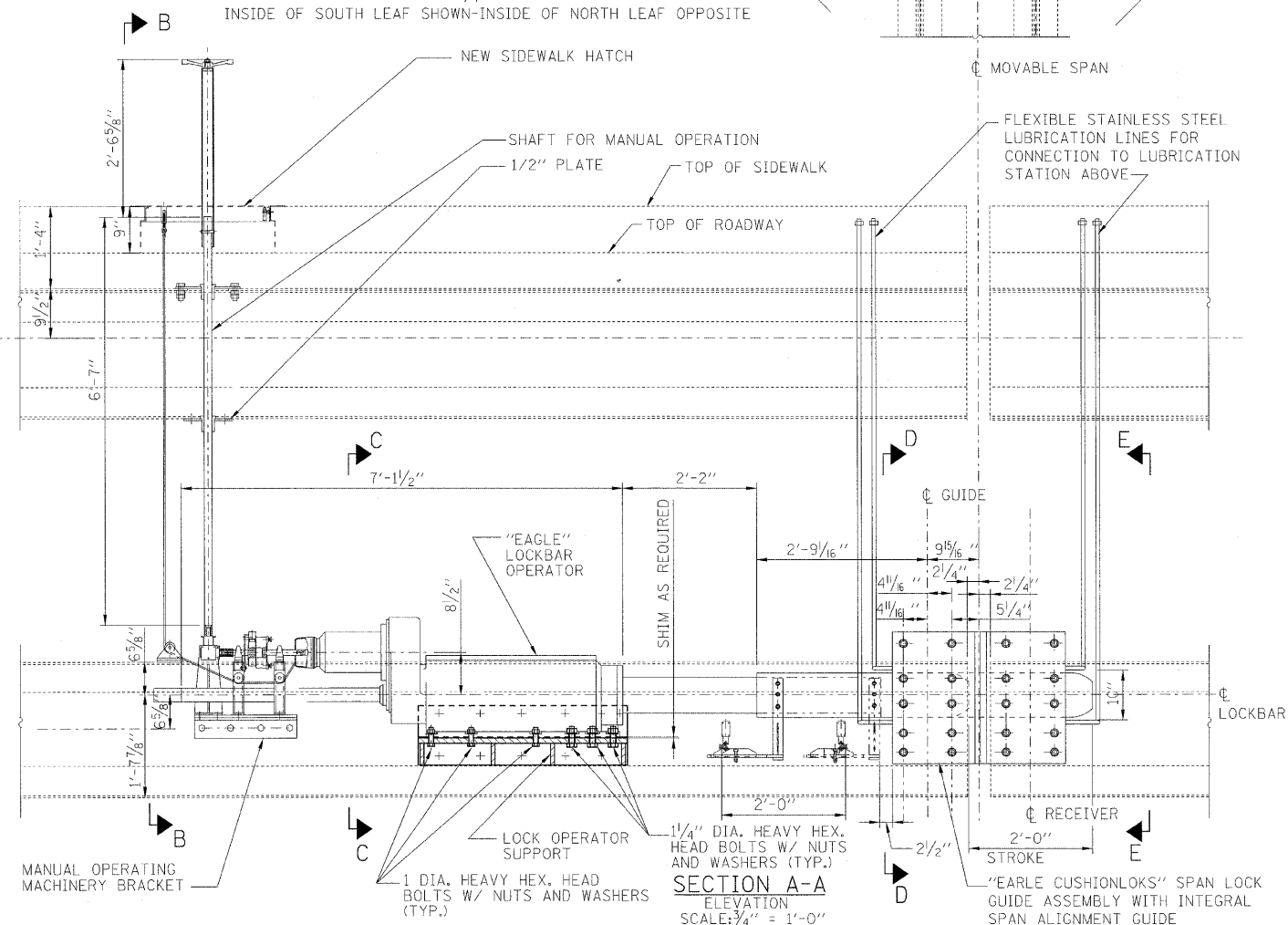


CENTER LOCK ASSEMBLY PLAN

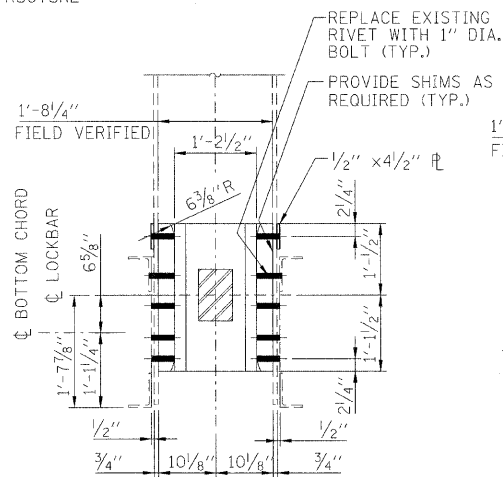
SCALE: 3/4" = 1'-0"

INSIDE OF SOUTH LEAF SHOWN-INSIDE OF NORTH LEAF OPPOSITE



SECTION A-A

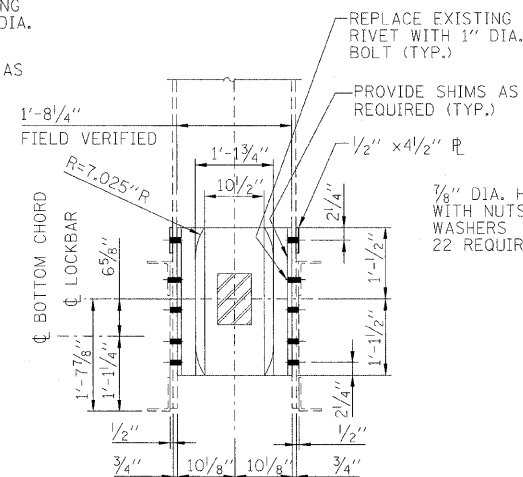
ELEVATION SCALE: 3/4" = 1'-0"



SECTION E-E

LOCKBAR RECEIVER

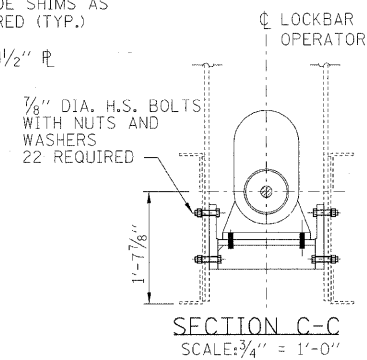
SCALE: 3/4" = 1'-0"



SECTION D-D

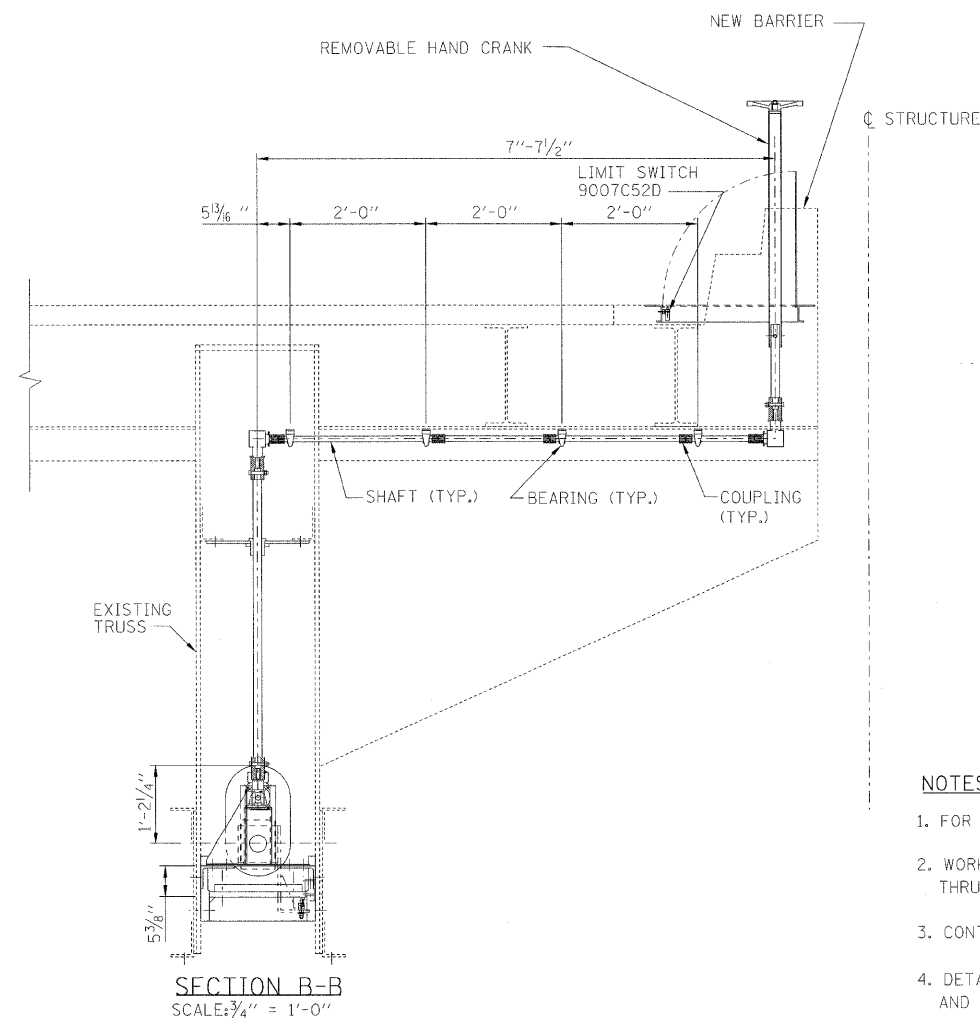
LOCKBAR GUIDE

SCALE: 3/4" = 1'-0"



SECTION C-C

SCALE: 3/4" = 1'-0"



SECTION B-B

SCALE: 3/4" = 1'-0"

NOTES:

1. FOR GENERAL NOTES, SEE SHEET M-01.
2. WORK THIS DRAWING WITH SHEETS M-11 THRU M-17.
3. CONTRACTOR SHALL VERIFY ALL DIMENSIONS.
4. DETAILS OF LOCKBAR RECEIVER AND LOCKBAR GUIDES NOT SHOWN FOR CLARITY.

PB Americas, Inc.
230 WEST MONROE STREET,
SUITE 900
CHICAGO, IL. 60606

USER NAME = sharma
FILE NAME = D160661-shs-meo-13.dgn
PLOT SCALE = NONE
PLOT DATE = 5/7/2009

DESIGNED - V. LEVIT
DRAWN - V. LEVIT
CHECKED - D. NYARKO
DATE - MAY 8, 2009

REVISED -
REVISED -
REVISED -
REVISED -

STATE OF ILLINOIS
DEPARTMENT OF TRANSPORTATION

INSIDE CENTER LOCKS MACHINERY PLAN

SCALE: AS SHOWN SHEET NO. W-13 OF W-27 SHEETS STA. 379+06.09 TO STA. 382+45.28

F.A.P. RTE.	SECTION	COUNTY	TOTAL SHEETS	SHEET NO.
389	2424-2B-R	COOK	398	257
CONTRACT NO. 60D61				
FED. ROAD DIST. NO. 1 ILLINOIS FED. AID PROJECT				