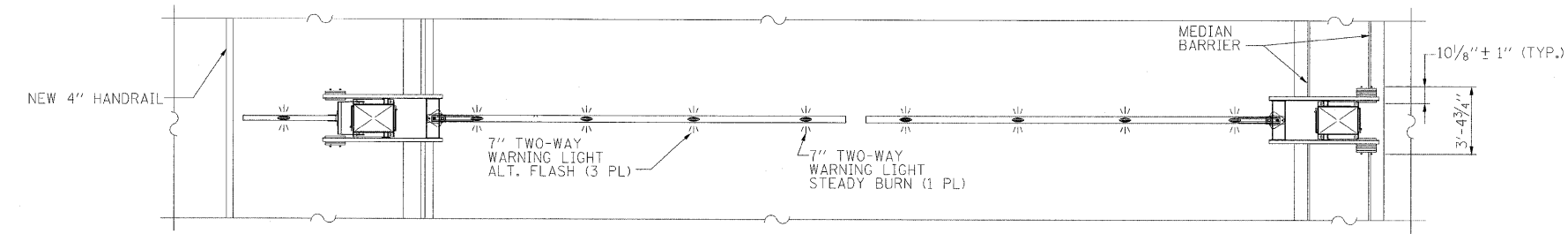
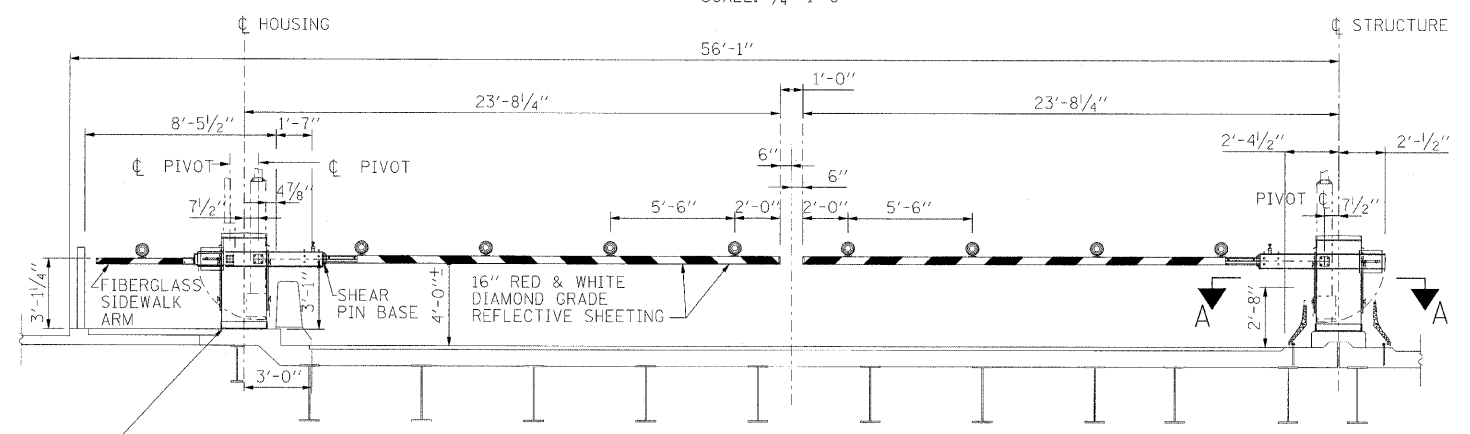


NEW WARNING AND RETRACTABLE BARRIER GATE LOCATION PLAN
SCALE: 1"=20'-0"



NEW WARNING GATE PLAN
SCALE: 1/4"=1'-0"



NEW WARNING GATE ELEVATION
(LOOKING EAST)
(NORTHWEST FIXED SPAN SHOWN - ALL OTHERS SIMILAR)
SCALE: 1/4"=1'-0"

NOTES:

1. FOR GENERAL MECHANICAL NOTES, SEE SHEET M-01
2. REMOVE EXISTING WARNING GATE ASSEMBLIES AND DISPOSE OFF SITE. REMOVAL SHALL INCLUDE ALL ASSOCIATED ELECTRICAL COMPONENTS AND WIRING.
3. CONTRACTOR SHALL FIELD VERIFY ALL DIMENSIONS BEFORE BEGINNING FABRICATION/CONSTRUCTION. ALL FIELD MEASUREMENTS SHALL BE INDICATED ON SHOP DRAWINGS.
4. FOR MOUNTING DETAILS SEE STRUCTURAL DRAWINGS.
5. THE COUNTERWEIGHT OFFSET SHALL BE DETERMINED BY THE MANUFACTURER.
6. WARNING LIGHTS SHALL BE IN ACCORDANCE WITH THE REQUIREMENTS OF ILLINOIS STATE MANUAL OF TRAFFIC CONTROL DEVICES (MUTCD).
7. EACH WARNING LIGHT SHALL BE A RED LIGHT AND VISIBLE FROM BOTH DIRECTIONS ALONG THE SIDEWALK. ADJACENT LIGHTS SHALL FLASH ALTERNATELY.
8. FOR DESTINATION AND ROUTING OF FLASHING LIGHTS SEE SYSTEM CIRCUIT DIAGRAM ELECTRICAL DRAWINGS.
9. GATE ARM CONDUCTORS SHALL BE INSTALLED IN HOT DIPPED GALVANIZED RIGID STEEL CONDUIT SUPPORTED ON GATE ARMS WITH 2-HOLE PIPE CLAMS SPACED A MAXIMUM OF 5 FEET APART.
10. GATE ARM CONDUCTORS MATERIALS FOR THE WARNING LIGHT CIRCUIT SHALL BE INSULATED STRANDED COPPER.
11. CONNECTION FROM CONDUCTORS ON MOVABLE ARMS TO GATE HOUSING SHALL BE BY MEANS OF HEAVY DUTY EXTRA FLEXIBLE NON-METALLIC MULTI-CONDUCTOR CABLE, TYPE SO OR APPROVED EQUAL, WITH SLACK PROVIDED FOR EXTREME END OF TRAVEL POSITION OF ARM. THE MULTI-CONDUCTOR CABLE SHALL INCLUDE A GROUNDING CONDUCTOR.
12. GATE ARM CONDUCTORS SHALL TERMINATE INSIDE THE GATE HOUSING ON A TERMINAL BLOCK.
13. NON CURRENT-CARRYING METALLIC PART ON SIDEWALK WARNING GATE SHALL BE BONDED TOGETHER AND CONNECTED BY MEANS OF A GROUNDING CONDUCTOR TO THE EQUIPMENT GROUNDING SYSTEM.
14. NEW WARNING GATE SHALL BE ROADWAY MANUFACTURING TYPE VW-4 OR APPROVED EQUAL.

PB Americas, Inc.
230 WEST MONROE STREET,
SUITE 900
CHICAGO, IL 60606

USER NAME = sha-ma
FILE NAME = D:\0\051-sha-ma-24.dgn
PLOT SCALE = NONE
PLOT DATE = 5/7/2009

DESIGNED - E. BASU
DRAWN - V. LEVIT
CHECKED - D. NYARKO
DATE - MAY 8, 2009

REVISED -
REVISED -
REVISED -
REVISED -

**STATE OF ILLINOIS
DEPARTMENT OF TRANSPORTATION**

TRAFFIC GATE REPLACEMENT

SCALE: AS SHOWN SHEET NO. M-24 OF M-27 SHEETS STA. 379+06.09 TO STA. 382+45.28

| F.A.P. RTE. | SECTION | COUNTY | TOTAL SHEETS | SHEET NO. |
|---|-----------|--------|--------------|-----------|
| 389 | 2424-2B-R | COOK | 398 | 268 |
| CONTRACT NO. 60D61 | | | | |
| FED. ROAD DIST. NO. 1 ILLINOIS FED. AID PROJECT | | | | |