

CONGRESS PARKWAY

TO SERVICE ENTRANCE DISCONNECT AND UTILITY PT/CT CABINETS, SEE DWG. E-38

BRANCH OFF #4/0 BARE COPPER CABLE

OUTDOOR 12KV PRIMARY SERVICE SWITCHGEAR, MANUAL TRANSFER (FURNISHED AND INSTALLED BY COMED)

OUTDOOR EMERGENCY GENERATOR, 800KW/1000KVA, 0.80 PF, 480V, 3 PHASE, 4 WIRE, 60HZ.

OUTDOOR TRANSFORMER, 1000KVA, 12KV-480/277V, 3 PHASE, FURNISHED BY COMED

BRANCH OFF #4/0 BARE COPPER CABLE (TYPICAL FOR 12KV SWITCHGEAR, XFMR AND GENERATOR)

WACKER DRIVE

ENTRY GATES

MAIN GROUND GRID #4 BARE COPPER CABLE (TYP)

SWING GATE

COPPERWELD GROUND ROD (TYP FOR 9)

CHAIN LINK FENCE

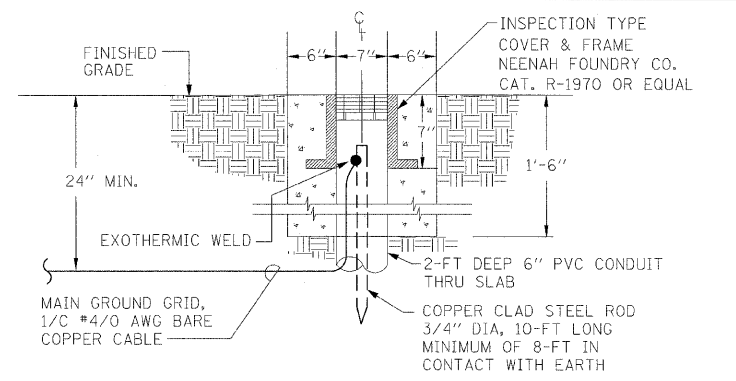
GROUND ROD TEST WELL (TYP FOR 4)

BRANCH OFF #1/0 BARE COPPER CABLE (TYPICAL FOR FENCE AND GATE POSTS)

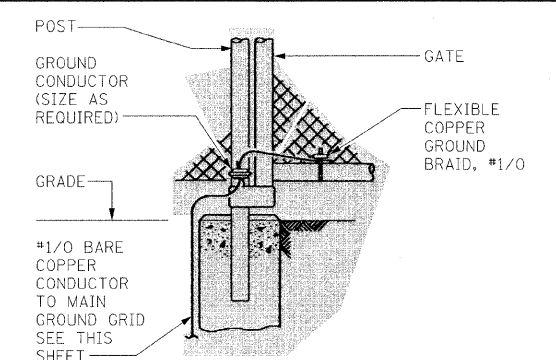
PART PLAN  
1"=10'-0"

**NOTES:**

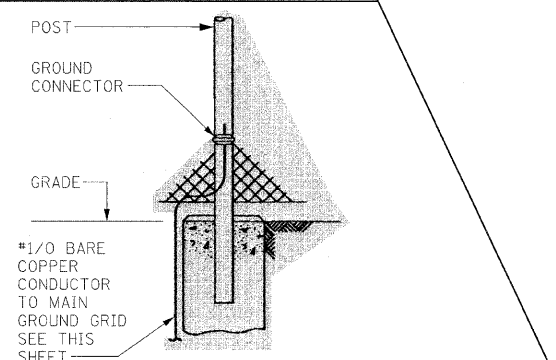
1. MAIN GROUND GRID SHALL BE 1/C #4/0 BARE COPPER CABLE AND TO BE RUN A MINIMUM OF 24" BELOW GRADE.
2. WHERE EXPOSED TO MECHANICAL INJURY, THE GROUNDING CONDUCTOR SHALL BE SUITABLY PROTECTED BY RIGID GALVANIZED STEEL SLEEVES WITH GROUNDING BUSHINGS. EACH END OF PROTECTING CONDUIT SHALL BE BONDED TO THE BARE CABLE.
3. ALL BURIED GROUNDING CABLE CONNECTIONS SHALL BE CADWELD OR THERMOWELD. THE WELDED CONNECTIONS SHALL BE LEFT EXPOSED FOR INSPECTION BY THE ENGINEER PRIOR TO BACKFILLING.
4. ABOVE GROUND, CONNECTIONS TO BE COMPRESSION TYPE, UNLESS OTHERWISE NOTED.
5. IF GROUND RESISTANCE OF 5 OHMS IS NOT MET, PROVIDE ADDITIONAL GROUND RODS IN TANDEM UNTIL IT IS MET.
6. ALL TRENCHES FOR GROUND WIRES AND LOCATIONS OF GROUND RODS, SOIL TO BE TREATED WITH BENTONITE (ELECTRO-FILL) TO IMPROVE RESISTANCE.
7. CONTRACTOR TO MARK OUT ALL EXISTING UTILITIES PRIOR TO ANY EXCAVATIONS OR DRIVING GROUND RODS TO ENSURE THE WORK WILL NOT AFFECT ANY EXISTING UTILITIES. CONTRACTOR TO EXERCISE EXTREME CARE WHEN EXCAVATING. ALL EXCAVATION ADJACENT TO EXISTING UTILITIES SHALL BE DONE BY HAND.
8. COORDINATE THIS DRAWING WITH DRAWING E-08.



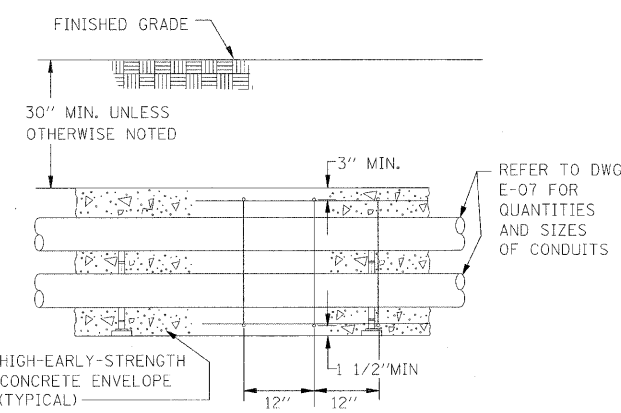
GROUND ROD TEST WELL DETAIL  
NTS



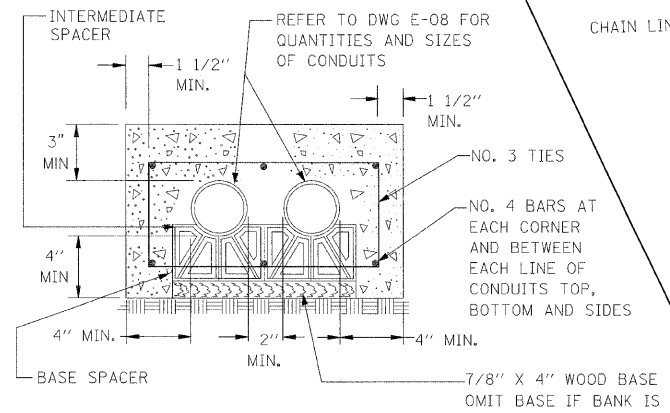
FENCE GATE GROUNDING  
(TYPICAL FOR EACH SIDE OF GATE)  
NTS



FENCE POST GROUNDING  
(GROUND EVERY THIRD FENCE POST)  
NTS



ELECTRICAL DUCT BANK ELEVATION  
NTS



ELECTRICAL DUCT BANK SECTION  
NTS

**PB Americas, Inc.**  
230 WEST MONROE STREET,  
SUITE 900  
CHICAGO, IL. 60606

USER NAME = sharma  
FILE NAME = D:\60d61-ohtr-e1c-09.dgn  
PLOT SCALE = NONE  
PLOT DATE = 5/7/2009

DESIGNED - A. CENTENO  
DRAWN - S. SHARMA  
CHECKED - M. INTATANO  
DATE - MAY 8, 2009

REVISED -  
REVISED -  
REVISED -  
REVISED -

**STATE OF ILLINOIS  
DEPARTMENT OF TRANSPORTATION**

**ELECTRICAL DISTRIBUTION SERVICE EQUIPMENT GROUNDING LAYOUT**

SCALE: AS SHOWN SHEET NO. E-09 OF E-125 SHEETS STA. 379+06.09 TO STA. 382+45.28

F.A.P. RTE.	SECTION	COUNTY	TOTAL SHEETS	SHEET NO.
389	2424-2B-R	COOK	398	280
CONTRACT NO. 60D61				
FED. ROAD DIST. NO. 1 ILLINOIS FED. AID PROJECT				