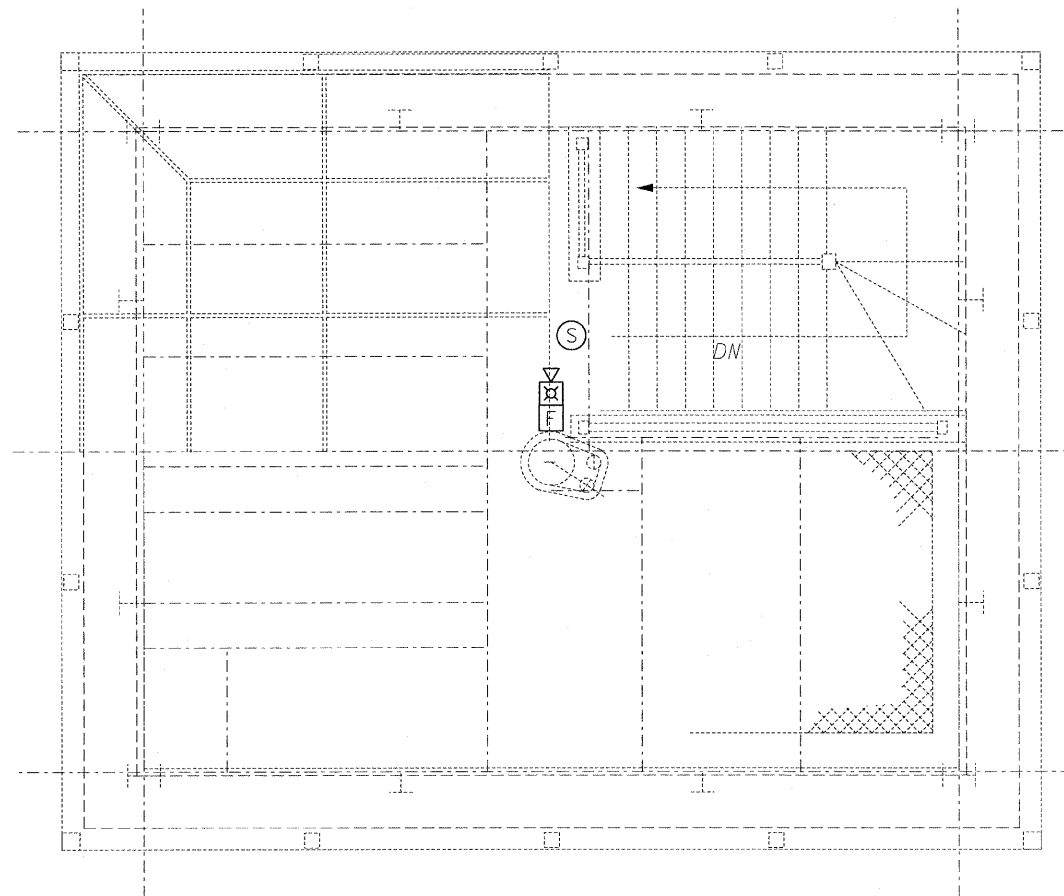


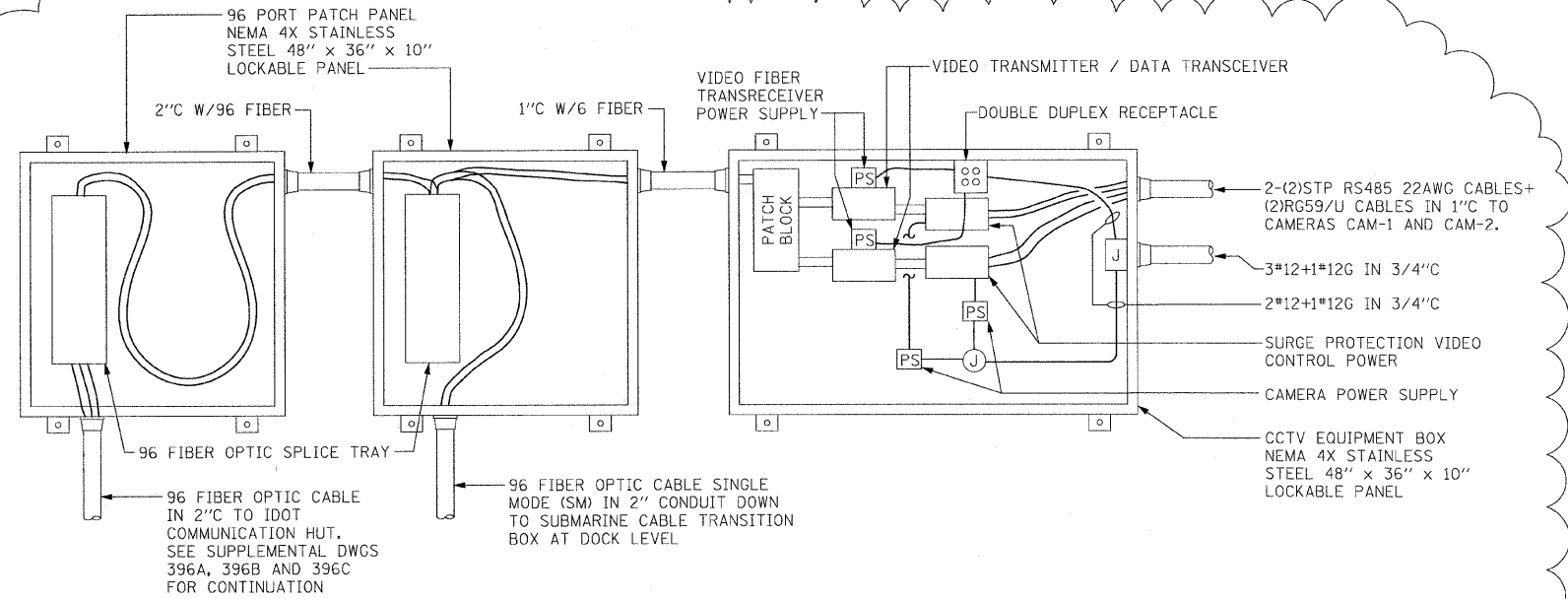


**NOTES:**

1. FOR ELECTRICAL SYMBOLS AND ABBREVIATIONS SEE DWGS E-04, E-05 AND E-06.
2. FOR GENERAL NOTES SEE DWGS E-02 AND E-03.
3. FOR FIRE ALARM RISER DIAGRAM, SEE DWG E-16.
4. FOR CCTV RISER DIAGRAM, SEE DWG E-17.



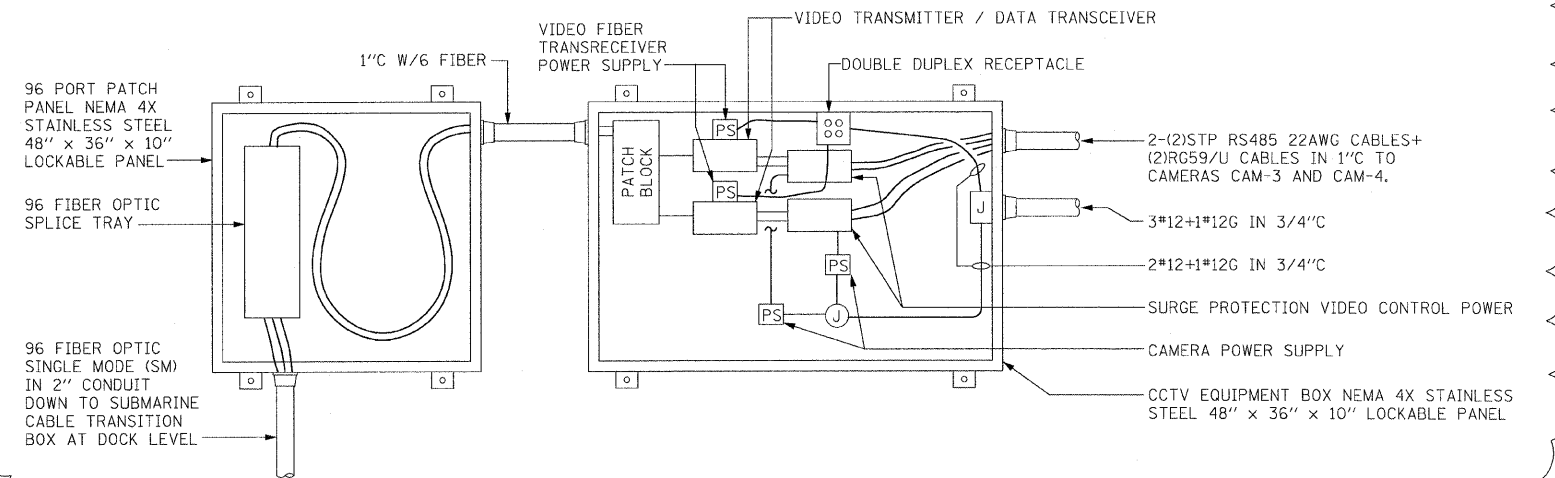
**AUXILIARY SYSTEMS PLAN**  
1/2" = 1'-0"



**WEST CCTV 96 PORT PATCH PANEL AND CCTV EQUIPMENT BOX ELEVATION**  
NTS

**NOTES:**

1. PROVIDE 50' OF SLACK FOR FIBER OPTIC CABLES AT 96 PORT PATCH PANEL.



**EAST CCTV 96 PORT PATCH PANEL AND CCTV EQUIPMENT BOX ELEVATION**  
NTS

**NOTES:**

1. PROVIDE 50' OF SLACK FOR FIBER OPTIC CABLES AT 96 PORT PATCH PANEL.

ADDENDUM - JULY 14, 2009

**PB Americas, Inc.**  
230 WEST MONROE STREET,  
SUITE 900  
CHICAGO, IL. 60606

USER NAME = sharma	DESIGNED - R. GODULIAS	REVISED -
FILE NAME = D160d61-sht-elo-54.dgn	DRAWN - S. SHARMA	REVISED -
PLOT SCALE = NONE	CHECKED - M. INTATANO	REVISED -
PLOT DATE = 5/7/2009	DATE - MAY 8, 2009	REVISED -

STATE OF ILLINOIS  
DEPARTMENT OF TRANSPORTATION

**AUXILIARY SYSTEMS PLAN**  
**WEST SIDE OPERATOR'S ROOM**

SCALE: AS SHOWN SHEET NO. E-54 OF E-125 SHEETS STA. 379+06.09 TO STA. 382+45.28

F.A.P. RTE. 389	SECTION 2424-2B-R	COUNTY COOK	TOTAL SHEETS 398	SHEET NO. 325
FED. ROAD DIST. NO. 1 ILLINOIS FED. AID PROJECT			CONTRACT NO. 60D61	