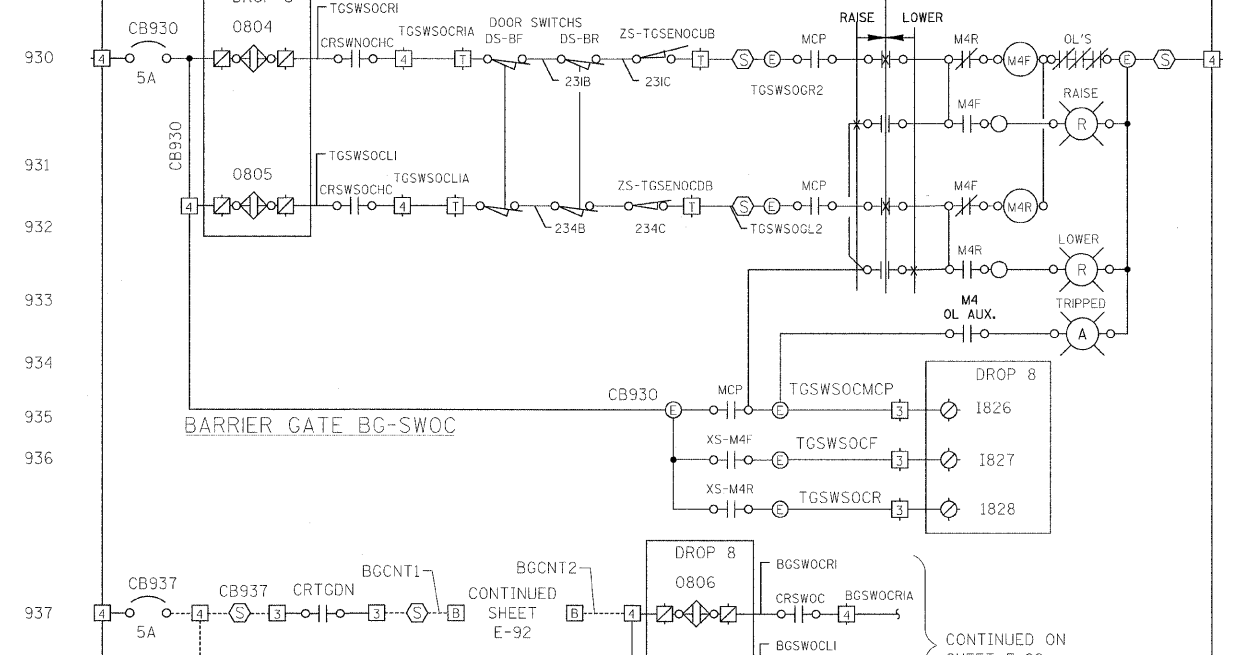
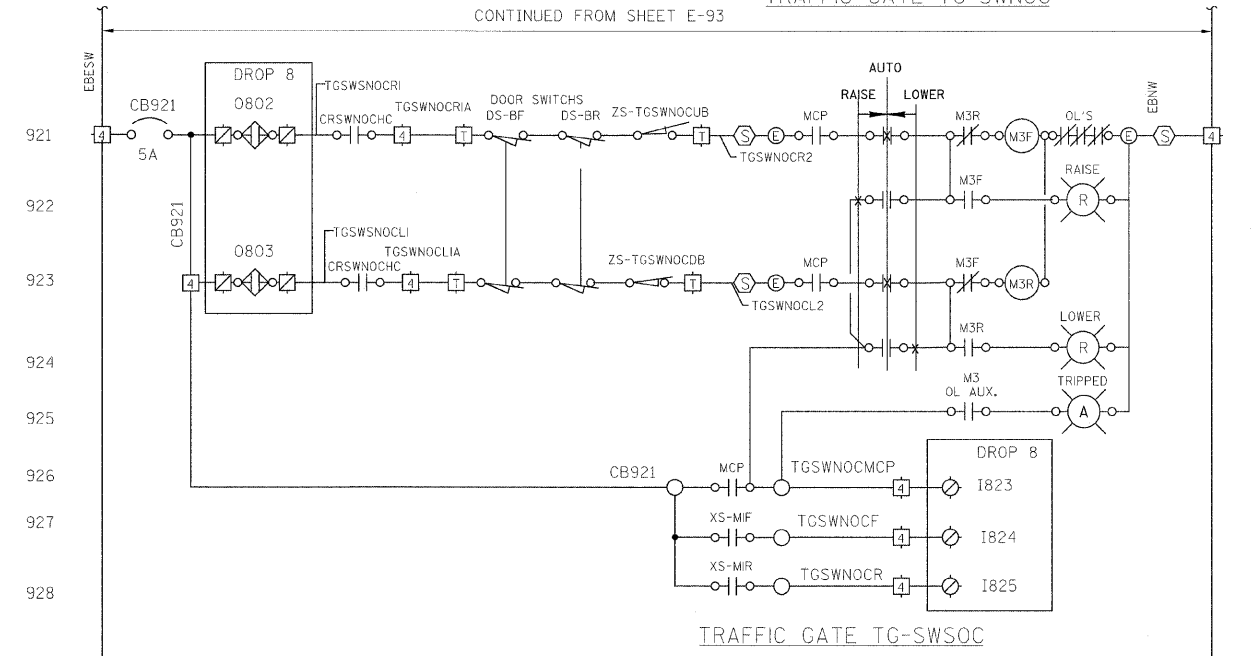


EASTBOUND TRAFFIC GATES



CONTINUED ON SHEET E-93

**PB Americas, Inc.**  
230 WEST MONROE STREET,  
SUITE 900  
CHICAGO, IL. 60606

USER NAME = sharma  
FILE NAME = D168061-shr-elc-91.dgn  
PLOT SCALE = NONE  
PLOT DATE = 5/7/2009

DESIGNED - B. CROUTHAMEL  
DRAWN - S. SHARMA  
CHECKED - S. STERN  
DATE - MAY 8, 2009

REVISED -  
REVISED -  
REVISED -  
REVISED -

**STATE OF ILLINOIS  
DEPARTMENT OF TRANSPORTATION**

**BRIDGE CONTROL SCHEMATIC DIAGRAM  
EASTBOUND - SHEET 12**

SCALE: AS SHOWN SHEET NO. E-91 OF E-125 SHEETS STA. 379+06.09 TO STA. 382+45.28

| F.A.P. RTE.                                     | SECTION   | COUNTY | TOTAL SHEETS | SHEET NO. |
|---|-----------|--------|--------------|-----------|
| 389   | 2424-2B-R | COOK   | 398          | 362       |
| CONTRACT NO. 60D61                              |           |        |              |           |
| FED. ROAD DIST. NO. 1 ILLINOIS FED. AID PROJECT |           |        |              |           |