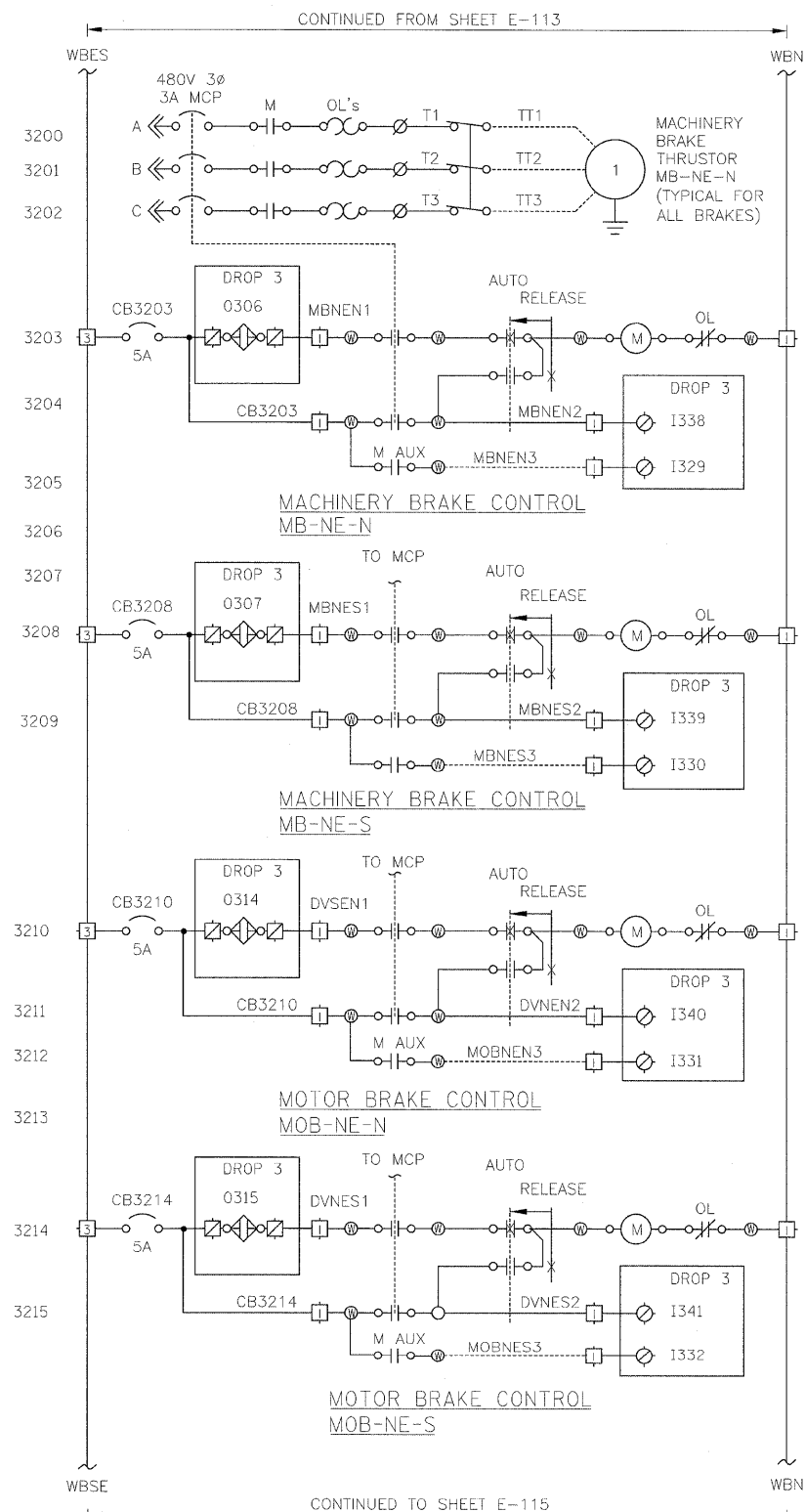
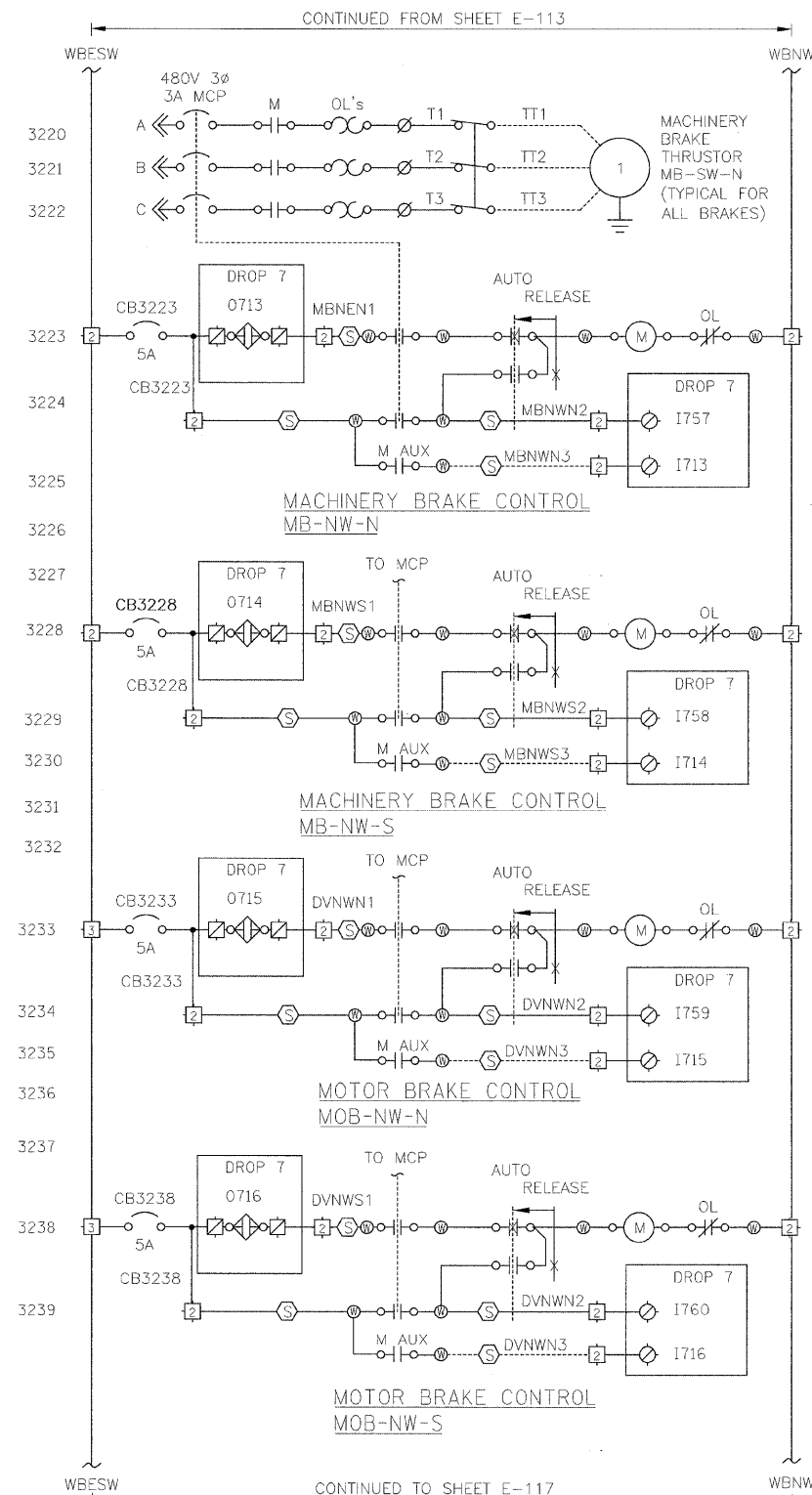


NOTES:

- FOR DRAWING SYMBOLS, LEGEND AND ABBREVIATIONS SEE DRAWINGS E-4, E-05 AND E-06.



WESTBOUND NORTHEAST
MACHINERY AND MOTOR BRAKES



WESTBOUND NORTHWEST
MACHINERY AND MOTOR BRAKES

PB Americas, Inc.
230 WEST MONROE STREET,
SUITE 900
CHICAGO, IL. 60606

USER NAME = s Sharma
FILE NAME = D168d61-shr-ale-114.dgn
PLOT SCALE = NONE
PLOT DATE = 5/7/2009

DESIGNED - B. CROUTHAMEL
DRAWN - S. SHARMA
CHECKED - S. STERN
DATE - MAY 8, 2009

REVISED -
REVISED -
REVISED -
REVISED -

**STATE OF ILLINOIS
DEPARTMENT OF TRANSPORTATION**

**BRIDGE CONTROL SCHEMATIC DIAGRAM
WESTBOUND - SHEET 14**

SCALE: AS SHOWN SHEET NO. E-114 OF E-125 SHEETS STA. 379+06.09 TO STA. 382+45.28

F.A.P. RTE.	SECTION	COUNTY	TOTAL SHEETS	SHEET NO.
389	2424-2B-R	COOK	398	385
CONTRACT NO. 60D61			ILLINOIS FED. AID PROJECT	